

**SPECIFICATIONS:**


- ① **COVER:** 11GA (.090)ALUMINUM ,STIFFENED TO WITHSTAND A LIVE LOAD OF 40PSF WITH A MAX DEFLECTION OF 1/150 OF THE SPAN.
- ② **CURB:** 11GA (.090)ALUMINUM CURB COUNTERFLASH WITH EZ TABS.
- ③ **FINISH:** MILL
- ④ **INSULATION:** 1" POLYISO R-6 (5.6 LTRR) IN CURB,  
1" POLYSTYRENE R-4 (3.8 LTRR) IN COVER.
- ⑤ **GASKET:** EXTRUDED EPDM RUBBER ADHESIVE BACKED GASKET SEAL CONTINUOUS AROUND COVER.
- ⑥ **SPRING:** GAS SPRING WITH DAMPER FOR SMOOTH, CONTROLLED, COUNTERBALANCED LIFT ASSISTANCE.
- ⑦ **HINGE:** PINTLE HINGE WITH STAINLESS STEEL HINGE PINS.
- ⑧ **HOLD OPEN ARM:** ZINC PLATED STEEL AUTOMATIC HOLD OPEN ARM LOCKS COVER IN FULLY OPEN POSITION WITH RED POLYPROPYLENE GRIP HANDLE PULL RELEASE.

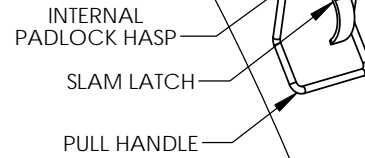
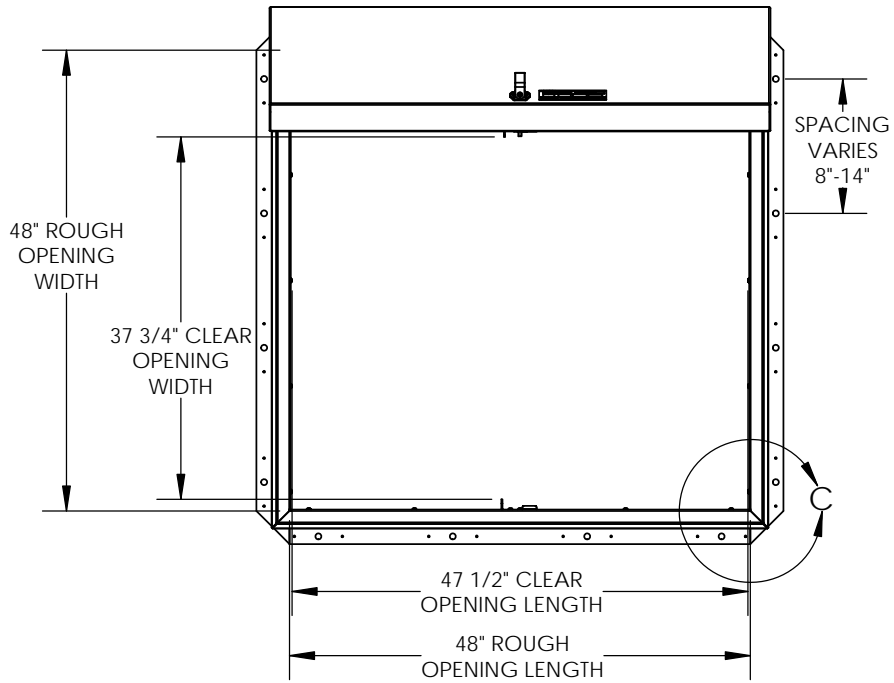
- ⑨ **LATCH:** ZINC PLATED STEEL SLAM LATCH, HOLDS COVER CLOSED AGAINST 20PSF WIND UPLIFT, INTERIOR AND EXTERIOR TURN HANDLES WITH PADLOCK HASPS.
- ⑩ **PULL HANDLE:** INTERIOR PULL DOWN HANDLE, SAFETY YELLOW POWDER COAT

**NOTES:**  
 -WHEN INSTALLING ON A PITCHED ROOF UP TO 7:12, THE HINGE SIDE(LENGTH)MUST BE PARALLEL TO THE SLOPE.  
 - WIDTH X LENGTH DIMENSIONS ARE MEASURED INSIDE CURB TO INSIDE CURB. THE WIDTH IS HINGE TO LATCH AND LENGTH IS HINGED SIDE.

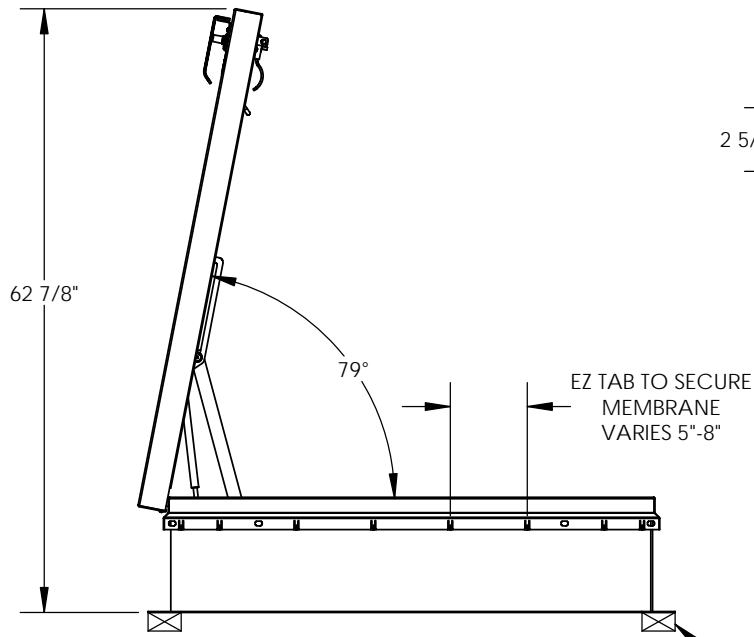
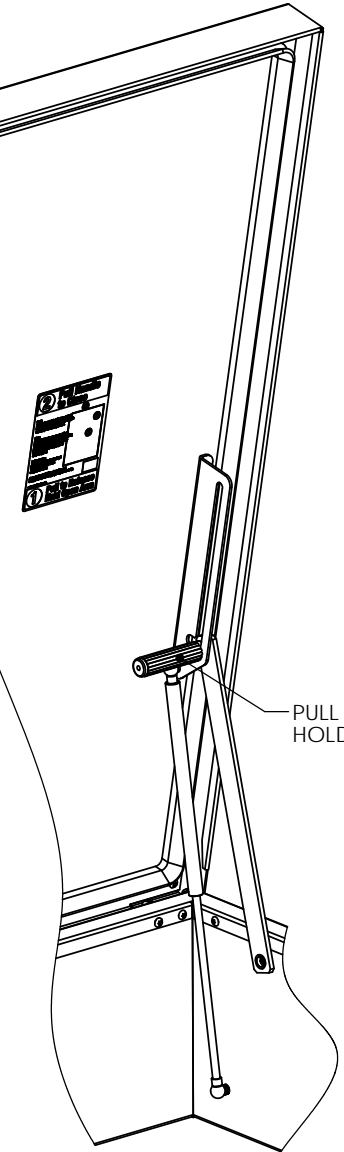
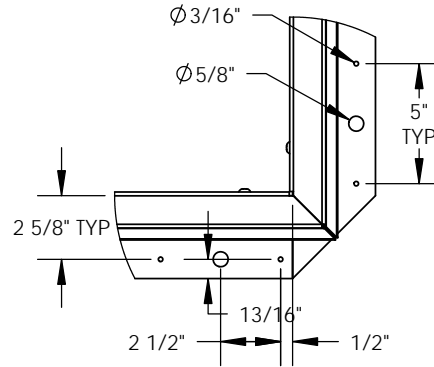
**ROOF HATCH SIZE** 48" (WIDTH) x 48" (LENGTH)  
**CLEAR OPENING** 37 3/4"(WIDTH) x 47 1/2" (LENGTH)  
**ROUGH OPENING** 48" (WIDTH) x 48" (LENGTH)

PROPRIETARY AND CONFIDENTIAL: THE INFORMATION CONTAINED IN THIS DRAWING IS THE SOLE PROPERTY OF NYSTROM. ANY REPRODUCTION IN PART OR AS A WHOLE WITHOUT THE WRITTEN PERMISSION OF NYSTROM IS PROHIBITED.

PROJECT:				
ARCHITECT:				
CONTRACTOR:				
QTY:				
PART:		A4848		
		TITLE: RHUA48X48S1T Roof Hatch Personnel II, 48x48, S Dr, Alum, Mill, Sngl Wall Curb		
NAME	DATE	SIZE	DWG. NO.	REV
DRAWN SGS	04/01/15	A	A4848	-
RELEASED IMT	04/01/15	WEIGHT: 96 lbs	SHEET 1 OF 2	



DETAIL C  
SCALE 1 : 8



WOOD, CONCRETE, OTHER MATERIAL FOR MOUNTING BY OTHERS (NIC)

			TITLE:		
9300 73rd Avenue North Minneapolis, MN 55428			RHUA48X48S1T Roof Hatch Personnel II, 48x48, S Dr, Alum, Mill, Sngl Wall Curb		
NAME	DATE	SIZE	DWG. NO.	REV	
DRAWN	SGS	04/01/15	A	A4848	-
RELEASED	IMT	04/01/15	WEIGHT: 96 lbs	SHEET 2 OF 2	