

# Insulated Fire-Rated Access Door

Model(s): IT/IW/IP

## GENERAL DESCRIPTION



Access Doors are designed and built for years of convenient and easy access to mechanical areas in commercial buildings.

## Introduction + Safety

**GENERAL SAFETY PRECAUTIONS** Improper selection, installation, or use can cause personal injury or property damage. It is solely the responsibility of the user, through its own analysis to select products suitable for their specific application requirements, ensure they are properly maintained, and limit their use to its intended purpose. Follow proper local, state and federal regulations for proper installation and operation requirements.

## Transportation + Storage

- Inspect all shipments and materials for missing or damaged components and hardware.
- Material must be stored in a clean, dry location.

## INSTALLATION

### STUD WALL INSTALLATION

Proper installation is critical to maintaining and withstanding the fire-ratings shown on the product label. When correctly installed, the door will close and latch when released from an open position of approximately 60°.

#### Tools Needed

- 5/32 Drill bit and Drill
- Screwdriver

#### Supplies Needed

- #12 Drywall Screws

## PREPARATION

1. Install a framed opening at specified location of access door.
2. Opening dimensions should be 1/4" larger than catalog size of door, after wrapping studs with 5/8" type X (fire-resistant) gypsum board. Example: 12" x 12" door, opening should be 12-1/4" x 12-1/4". **A notched-out area is required for the lock bolt cover.**

## INSTALLATION

1. Place door in opening and mark location of attachments on studding using holes in latch and hinge side of door frame as guides.
2. Remove door and drill 5/32" holes through studs at points marked for attachment hole.
3. Place door into position and fasten to wall as follows:

---

Wood Substrates	#12 x 1-1/4" drywall screws; minimum of 2 per side.
-----------------	---

---

Steel Substrates	#12 x 1-1/8" drywall screws; minimum of 2 per side.
------------------	---

---

For panels utilizing a drywall bead flange (IW), screws should be fastened at 18" on-center maximum through the flange face in addition to the pre-existing holes located on the inside of the frame.

4. Check door for freedom of movement. If it binds, shim to remove any racking of frame at attachment points.
5. Install springs per reference table, pg. 5. Self-closure of door is required for UL or Warnock-Hersey fire rating. Neglecting to install springs will void the fire-rating.

## MASONRY WALL INSTALLATION

Proper installation is critical to maintaining and withstanding the fire-ratings shown on the product label. When correctly installed, the door will close and latch when released from an open position of approximately 60°.

### Tools Needed

- Drill bit and Drill

### Supplies Needed

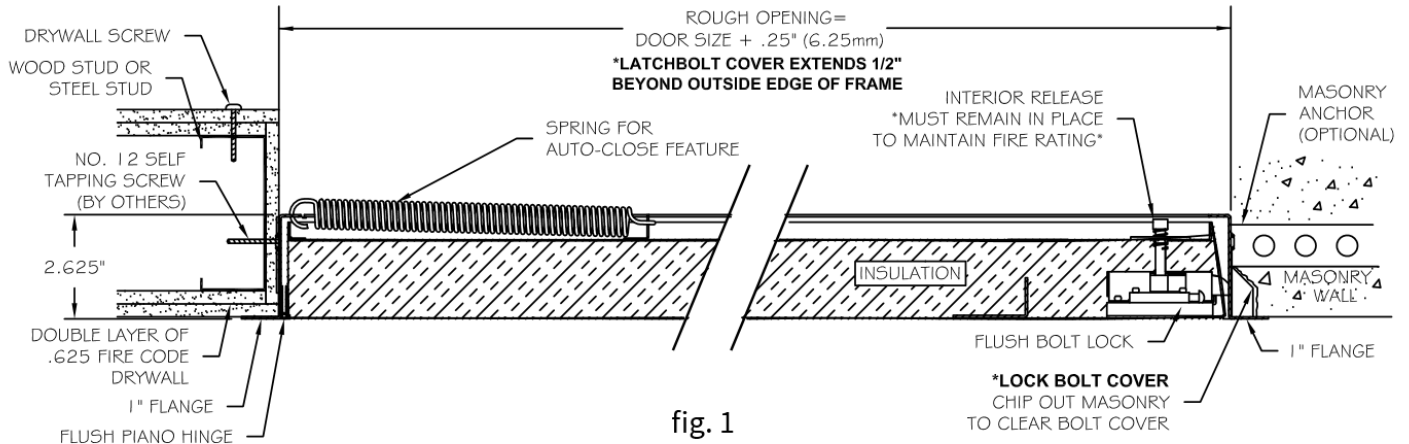
- #10-32 x 1" flat-head steel machine screws

## PREPARATION

3. Install a framed opening at specified location of access door.
4. Opening dimensions should be 1/4" larger than catalog size of door, after wrapping studs with 5/8" type X (fire-resistant) gypsum board. Example: 12" X 12" door, opening should be 12-1/4" x 12-1/4".  
***A notched-out area is required for the lock bolt cover.***

### Installation (fig. 1)

1. For new construction, unfold masonry anchors prior to fill.
2. Place door in opening and mark location of attachments on wall using holes in latch and hinge sides of door as guides.
3. Remove door and install expansion shields in wall at points marked.
4. Place door in position and attach with #10-32 x 1" flat-head steel machine screws.
5. Check door panel for freedom of movement. If it binds, shim to remove any racking of frame at attachments.
6. Install springs per reference table, pg. 9. Self-closure of door is required for UL or Warnock-Hersey fire rating. Neglecting to install springs will void the fire-rating.



## CEILING INSTALLATION

Proper installation is critical to maintaining and withstanding the fire-ratings shown on the product label. When correctly installed, the door will close and latch when released from an open position of approximately 60°.

### Tools Needed

- 5/32 Drill bit and Drill
- Screwdriver

### Supplies Needed

- #12 Drywall Screw

## PREPARATION

1. Install a framed opening at specified location of access door.
2. Opening dimensions should be 1/4" larger than catalog size of door, after wrapping studs with 5/8" type X (fire-resistant) gypsum board. Example: 12" x 12" door, opening should be 12-1/4" x 12-1/4".  
**A notched-out area is required for the lock bolt cover.**
3. Frame can be supported with 12 ga wire ties to ceiling structure at all four corners or plumbers tape attached from framing screws to studs of floor above for ease of installation, fig. 3.

## INSTALLATION

1. Place door in opening and mark location of attachments on studding using holes in latch and hinge side of door frame as guides.
2. Remove door and drill 5/32" holes through studs at points marked for attachment hole.
3. Place door into position and fasten to wall as follows:

Wood Substrates	#12 x 1 1/4" drywall screws; minimum of 2 per side.
Steel Substrates	#12 x 1 1/8" drywall screws; minimum of 2 per side

4. Check door for freedom of movement. If it binds, shim to remove any racking of frame at attachment points.
5. Install springs per reference table, fig. 2. Self-closure of door is required for UL or Warnock-Hersey fire rating. Neglecting to install springs will void the fire-rating

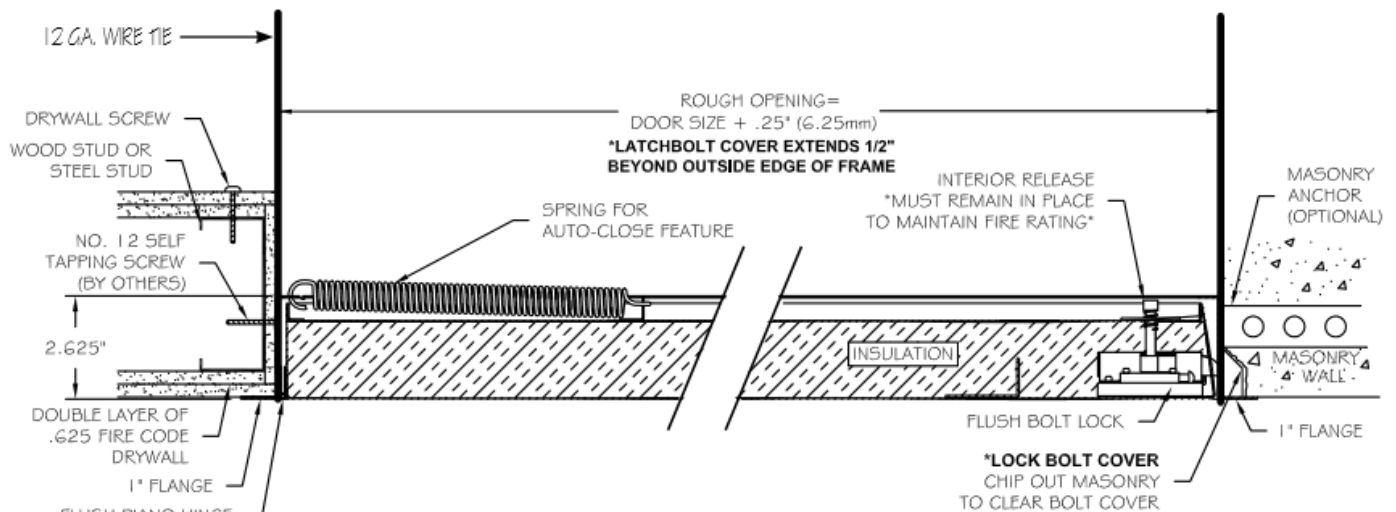
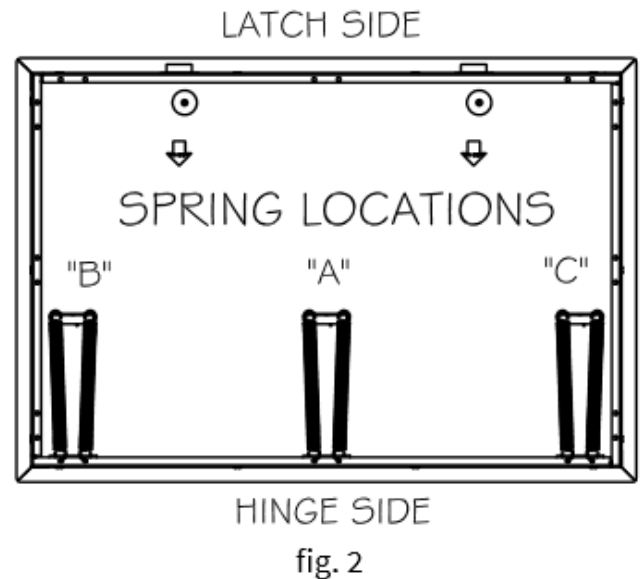


fig. 3

Quantity of Springs	Spring Location		
	B	A	C
1	-	1	-
2	-	2	-
3	2	-	1
4	2	-	2
5	2	1	2
6	2	2	2



### OPERATION

Access doors are designed and built for years of dependable wall and ceiling access. Our access doors come standard with paintable, powder coat finish.

### MAINTENANCE

- Access doors should be manually operated once a year to check performance.
- Lubricate moving parts such as hinges and latches with a silicone spray lube as required to maintain a smooth opening and closing of the door. Do not over grease. Do not use regular lubricating oil as it can attract dust and grit.
- Non-moving parts can be cleaned with a mild soap or dishwashing detergent and water solution.

### QUESTIONS?

For more information on installation, repair or replacement, please visit [www.Nystrom.com](http://www.Nystrom.com).