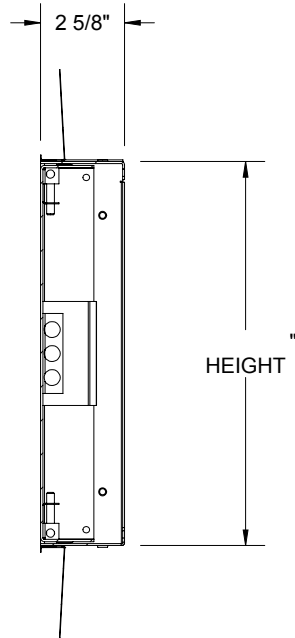
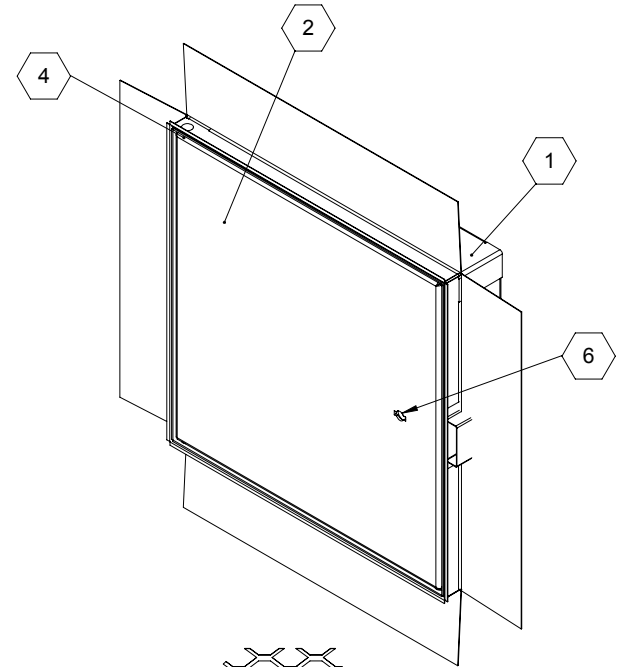


SECTION B-B



SECTION A-A

ROUGH OPENING: " X " X
 CLEAR OPENING: " X " X
 DEGREE OF OPENING: ° X " X



DETAIL D
 PLASTER BEAD DETAIL
 SCALE 1 : 4

NOTES:

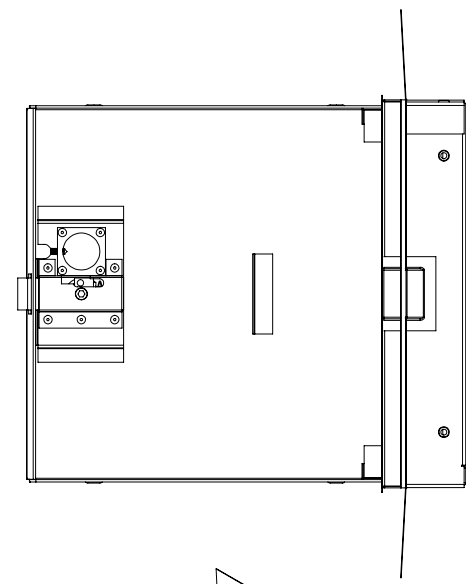
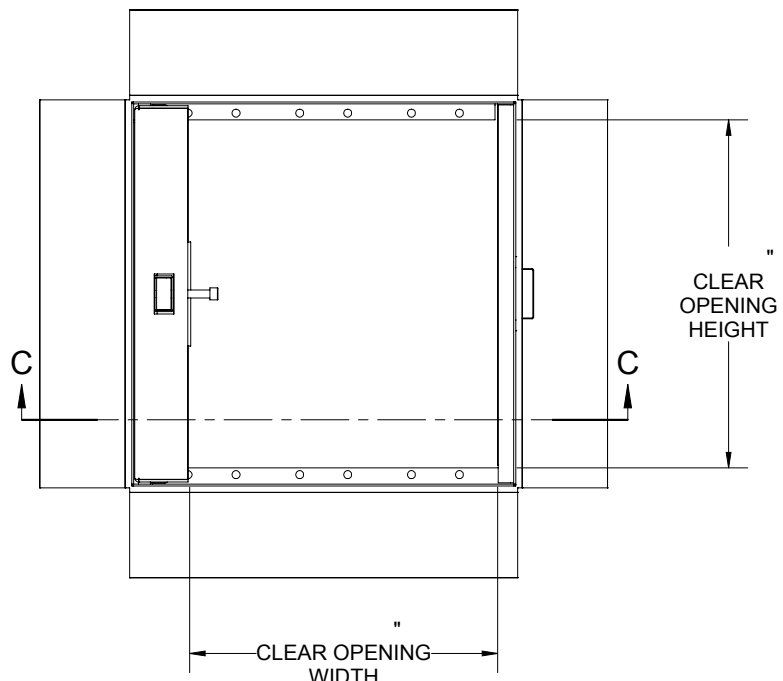
- ① FRAME:
- ② DOOR:
- 3 FINISH:
- ④ HINGE:
- 5 SECONDARY LATCH:
- ⑥ LOCK: Knurled Knob/Keyed Slam Latch

PROPRIETARY AND CONFIDENTIAL: THE INFORMATION CONTAINED IN THIS DRAWING IS THE SOLE PROPERTY OF NYSTROM. ANY REPRODUCTION IN PART OR AS A WHOLE WITHOUT THE WRITTEN PERMISSION OF NYSTROM IS PROHIBITED.

| | | | |
|-------------|------|--|--------------|
| PROJECT: | | | |
| ARCHITECT: | | | |
| CONTRACTOR: | | | |
| QTY: | | | |
| PART#: | | | |
| | | TITLE: | |
| | | 9300 73rd Avenue North, Minneapolis, MN 55428 | |
| NAME | DATE | SIZE | DWG. NO. |
| DRAWN | | A | |
| RELEASED | | WEIGHT: VARIES | SHEET 1 OF 2 |

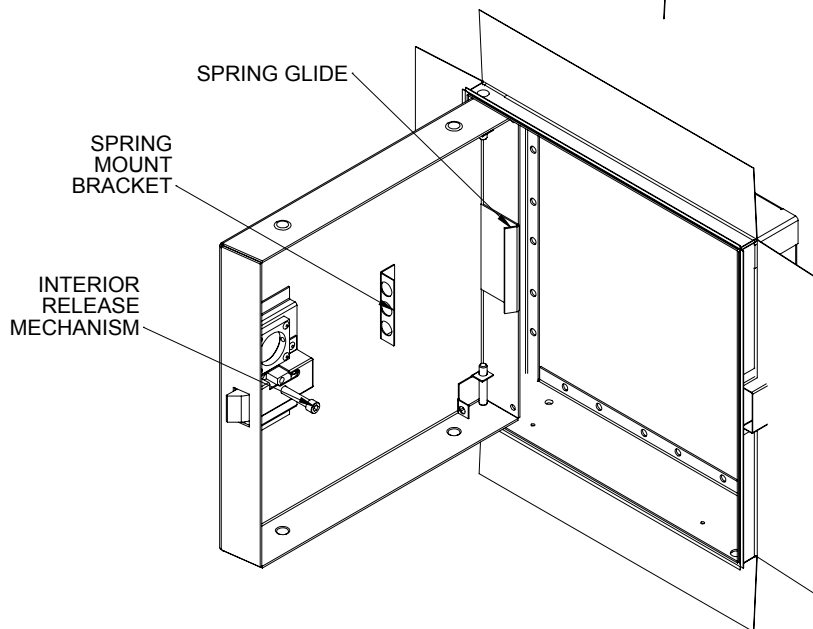
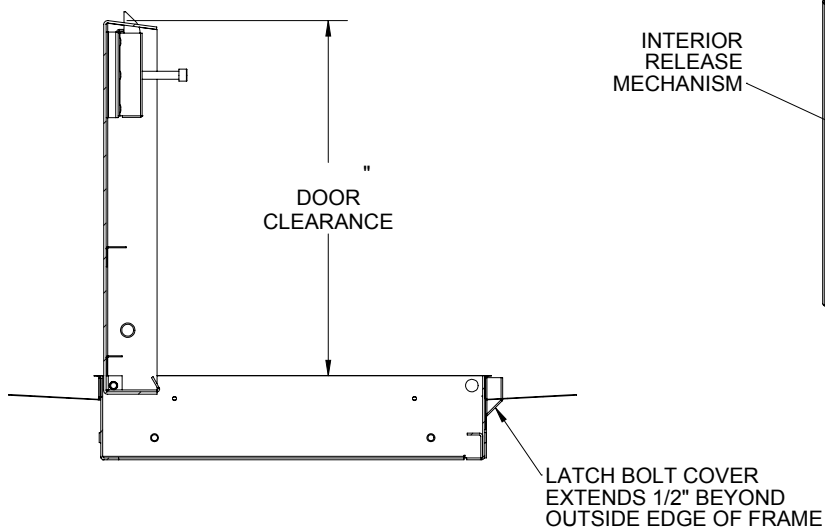
B

B



A

A



| | | | | |
|--|------|----------------|----------|--------------|
| PART#: | | TITLE: | | |
| nystrom [®] | | | | |
| 9300 73rd Avenue North, Minneapolis, MN 55428 | | | | |
| NAME | DATE | SIZE | DWG. NO. | REV |
| DRAWN | | A | | - |
| RELEASED | | WEIGHT: VARIES | | SHEET 2 OF 2 |

PROPRIETARY AND CONFIDENTIAL: THE INFORMATION CONTAINED IN THIS DRAWING IS THE SOLE PROPERTY OF NYSTROM. ANY REPRODUCTION IN PART OR AS A WHOLE WITHOUT THE WRITTEN PERMISSION OF NYSTROM IS PROHIBITED.