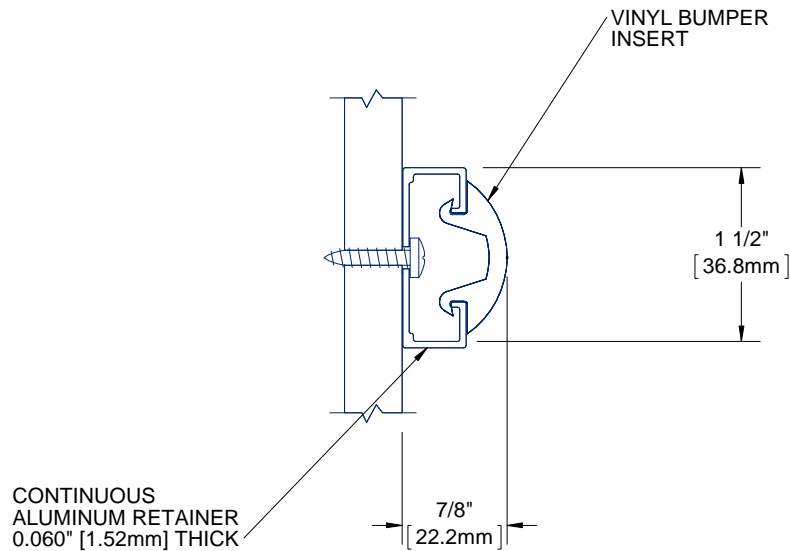


QUANTITY

COLOR



NOTES:

- 1. **PROFILE:** FLEXIBLE VINYL EXTRUSION LOCKED IN PLACE.
- 2. CLASS A FIRE RATING, TESTED TO ASTM E84
- 3. **RETAINER:** CONTINUOUS ALUMINUM RETAINER, NOMINAL 0.060" (1.52mm) THICK.
- 4. **EXTRUSION:** SMOOTH SATIN FINISH
- 5. **VINYL BUMPER GUARD LENGTH:** PROVIDED IN 20' CONTINUOUS SECTIONS
- 6. END CAP: #BGVS15C-EC, OUTSIDE CORNER: #BGVS15C-OC
- 7. FASTENERS AND PARTITION COMPONENTS PROVIDED BY OTHERS.

PROPRIETARY AND CONFIDENTIAL: THE INFORMATION CONTAINED IN THIS DRAWING IS THE SOLE PROPERTY OF NYSTROM. ANY REPRODUCTION IN PART OR AS A WHOLE WITHOUT THE WRITTEN PERMISSION OF NYSTROM IS PROHIBITED.

PROJECT:			
ARCHITECT:			
CONTRACTOR:			
 9300 73rd Avenue North Minneapolis, MN 55428		TITLE: 1-1/2" VINYL BUMPER GUARD SURFACE MOUNT MILL FINISH RETAINER	
		REV A	
NAME	DATE	SIZE	DWG. NO.
DRAWN	MDS 26APR13	A	BGVS15C-RFM
RELEASED	PGE 01MAY13	WEIGHT: 0.43 LBS/FT	SHEET 1 OF 1