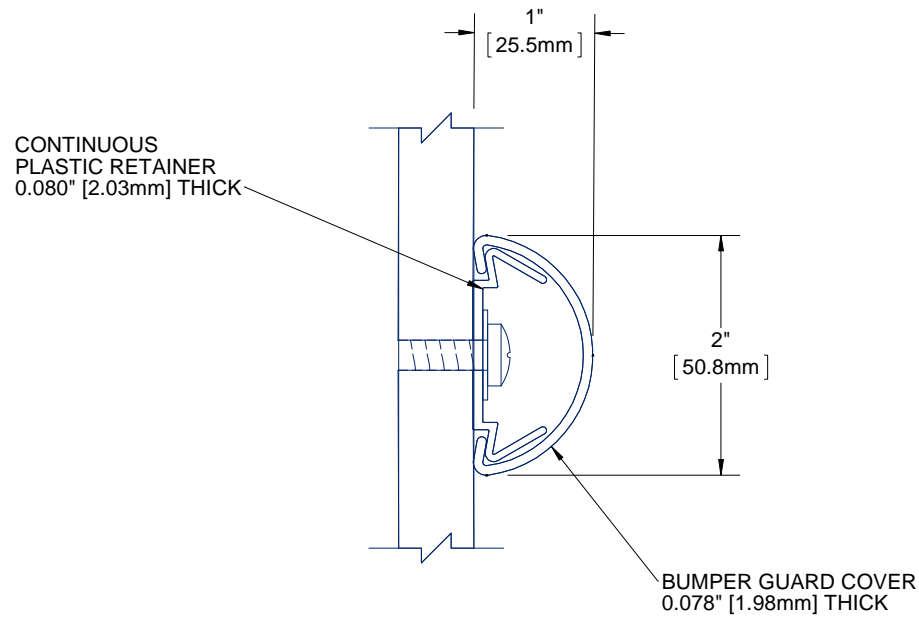


QUANTITY

COLOR



NOTES:

- PROFILE:** HIGH IMPACT VINYL ACRYLIC EXTRUSION LOCKED IN PLACE, 2" IS 0.078" (1.98mm) THICK
- CLASS A FIRE RATING, TESTED TO ASTM E84
- RETAINER:** CONTINUOUS PLASTIC RETAINER, NOMINAL 0.080" (2.03mm) THICK
- EXTRUSION:** PEBBLE GRAIN FINISH WHICH CONTAINS EPA REGISTERED MICRO-CHEK ANTIMICROBIAL AGENT
- VINYL BUMPER GUARD LENGTH:** PROVIDED IN 20' CONTINUOUS SECTIONS
- END CAP: #BGVS2C-EC, OUTSIDE CORNER: #BGVS2C-OC
- FASTENERS AND PARTITION COMPONENTS PROVIDED BY OTHERS.

PROJECT:											
ARCHITECT:											
CONTRACTOR:											
 9300 73rd Avenue North Minneapolis, MN 55428		TITLE: 2" VINYL BUMPER GUARD SURFACE MOUNT PLASTIC RETAINER									
		<table border="1"> <tr> <th>NAME</th> <th>DATE</th> <th>SIZE</th> <th>DWG. NO.</th> <th>REV</th> </tr> <tr> <td>DRAWN</td> <td>MDS 26APR13</td> <td>A</td> <td>BGVS2C-PR</td> <td>A</td> </tr> </table>	NAME	DATE	SIZE	DWG. NO.	REV	DRAWN	MDS 26APR13	A	BGVS2C-PR
NAME	DATE	SIZE	DWG. NO.	REV							
DRAWN	MDS 26APR13	A	BGVS2C-PR	A							
RELEASED	PGE 01MAY13	WEIGHT: 0.28 LBS/FT		SHEET 1 OF 1							

PROPRIETARY AND CONFIDENTIAL: THE INFORMATION CONTAINED IN THIS DRAWING IS THE SOLE PROPERTY OF NYSTROM. ANY REPRODUCTION IN PART OR AS A WHOLE WITHOUT THE WRITTEN PERMISSION OF NYSTROM IS PROHIBITED.