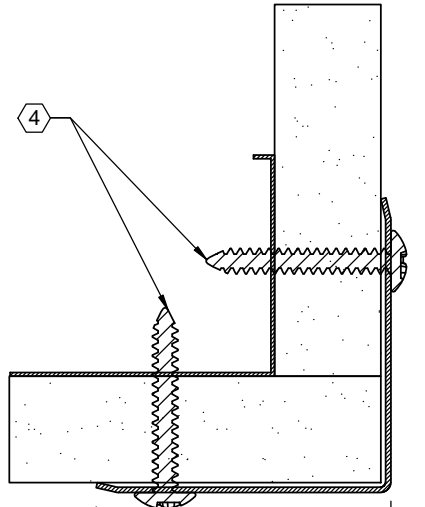
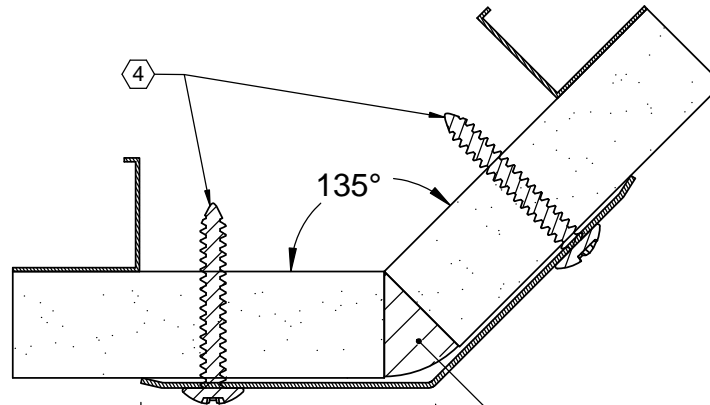


CGSS, TYPE 304 STAINLESS STEEL
CGTS, TYPE 430 STAINLESS STEEL



SPECIFY WING SIZE
MINIMUM 1" [25.4mm]




SPECIFY WING SIZE
MINIMUM 1" [25.4mm]

WING SIZE	HEIGHT	QTY	ANGLE

NOTES:

1. MECHANICALLY FASTENED APPLICATION.
2. MATERIAL: TYPE 304 (CGSS) OR TYPE 430 (CGTS) STAINLESS STEEL, 16 GAUGE WITH ROUNDED EDGES.
3. FINISH: SATIN #4 WITH REMOVABLE PROTECTIVE COATING.
4. #6 X 1-1/2" STAINLESS STEEL TRUSS HEAD TAPPING SCREW 16" [400mm] O.C. MAX, INCLUDED.
5. QUICK SETTING JOINT COMPOUND BY OTHERS.
6. AVAILABLE IN 90° AND 135° (STANDARD). CUSTOM ANGLES AVAILABLE, MINIMUM 22°.
7. CONTINUOUS LENGTHS AVAILABLE 10' MAXIMUM.
8. EMBOSSED PATTERNS AVAILABLE IN 304 STAINLESS STEEL ONLY. GAUGE AND LENGTH MAY VARY DEPENDING ON PATTERN.
9. PARTITION COMPONENTS BY OTHERS.

PROJECT:			
ARCHITECT:			
CONTRACTOR:			
 9300 73rd Avenue North Minneapolis, MN 55428		TITLE: STAINLESS STEEL CORNER GUARD, TYPE 304 OR 430, 16 GA, SURFACE MOUNT, DRILLED	
NAME	DATE	SIZE	DWG. NO.
DRAWN DKL	9/30/12	A	CG-SST-GENERAL-DRILLED
RELEASED	PGE	10/22/12	WEIGHT: VARIES
			REV A
			SHEET 1 OF 1