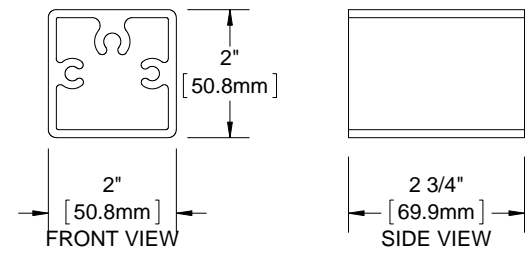
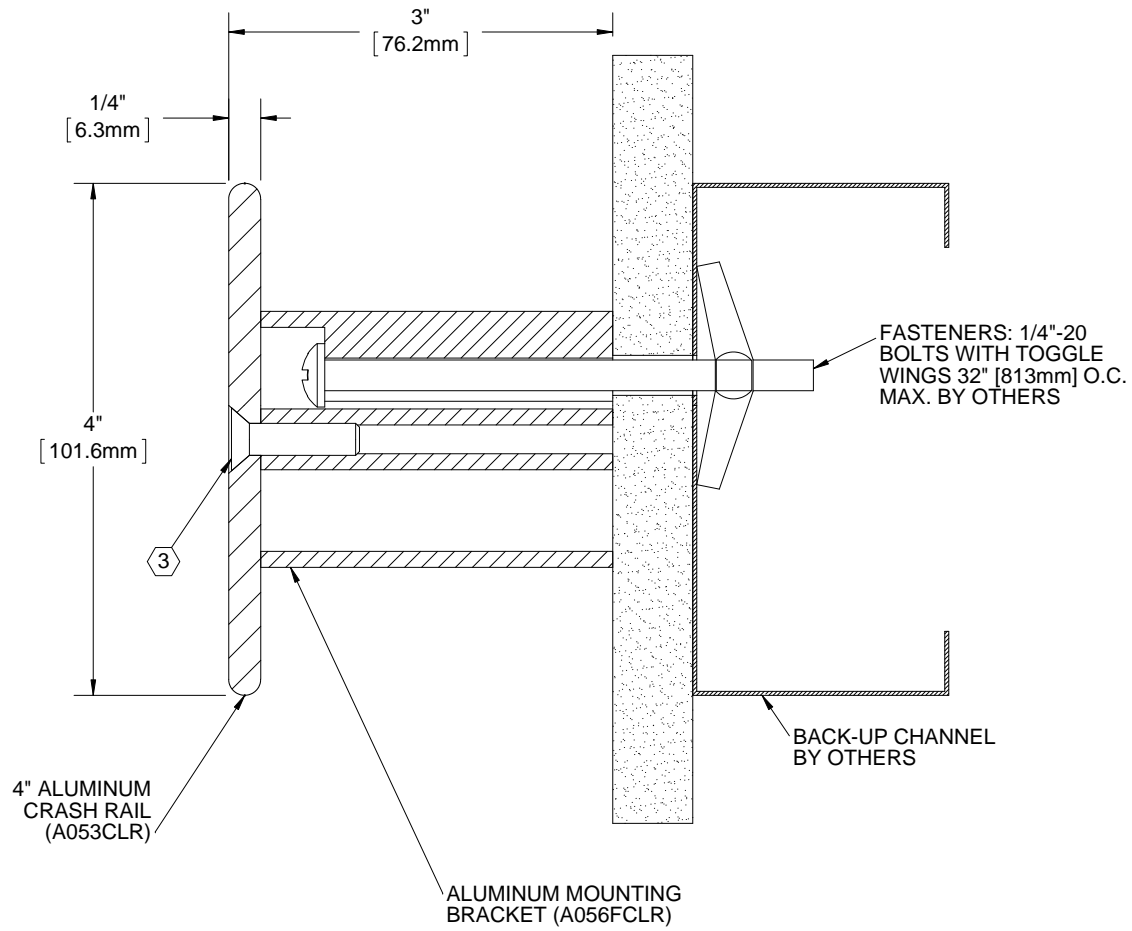


QUANTITY (FT)



SQUARE BRACKET (A056FCLR)

FASTENERS: 1/4"-20
BOLTS WITH TOGGLE
WINGS 32" [813mm] O.C.
MAX. BY OTHERS


BACK-UP CHANNEL
BY OTHERS

4" ALUMINUM
CRASH RAIL
(A053CLR)

ALUMINUM MOUNTING
BRACKET (A056FCLR)

NOTES:

1. MATERIAL: 6063-T5 ALUMINUM
2. FINISH: CLEAR ANODIZED
- ③ 1/4"-20 x 3/4" PHILLIPS FLAT HEAD SELF TAPPING STAINLESS STEEL SCREW, INCLUDED. (8142034)
4. PROVIDED IN 12' CONTINUOUS LENGTHS, TO BE FIELD CUT AND DRILLED.
5. RETURNS AND CORNERS: PRE CUT AND DRILLED FOR FIELD INSTALLATION.
END CAP: #CRAE4-BS-EC
OUTSIDE CORNER: #CRAE4-BS-OC
INSIDE CORNER: #CRAE4-BS-IC
6. PARTITION COMPONENTS BY OTHERS.

PROJECT:			
ARCHITECT:			
CONTRACTOR:			
		TITLE:	
		4" ALUMINUM CRASH RAIL, EXTENDED, 2.75" SQUARE BRACKET, CLEAR ANODIZED FINISH	
9300 73rd Avenue North Minneapolis, MN 55428			
NAME	DATE	SIZE	DWG. NO.
DRAWN	DKL	11/26/13	A
RELEASED	PGE	11/26/13	WEIGHT: 1.7 LB/LF
CRAE4-BS			REV A
SHEET 1 OF 1			

PROPRIETARY AND CONFIDENTIAL: THE INFORMATION CONTAINED IN THIS DRAWING IS THE SOLE PROPERTY OF NYSTROM. ANY REPRODUCTION IN PART OR AS A WHOLE WITHOUT THE WRITTEN PERMISSION OF NYSTROM IS PROHIBITED.