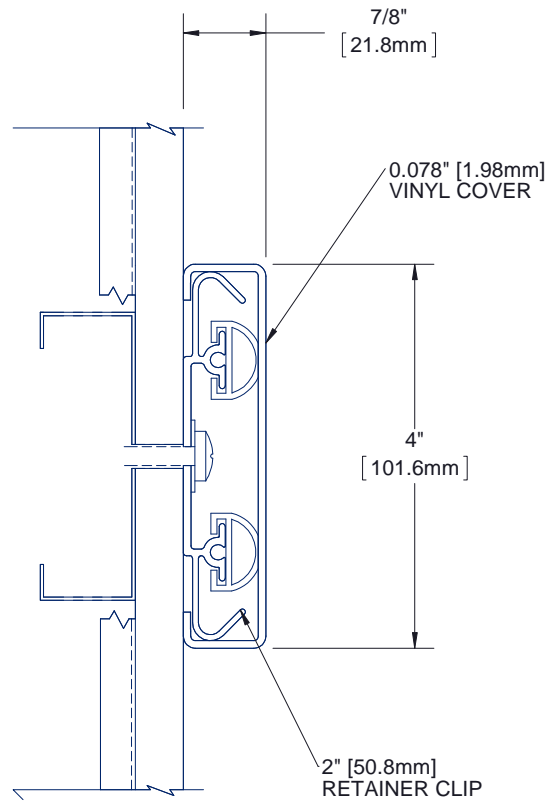


QUANTITY


COLOR



**NOTES:**

- PROFILE:** HIGH IMPACT VINYL ACRYLIC EXTRUSION LOCKED IN PLACE, NOMINAL 0.078" (1.98mm) THICK
- CLASS A FIRE RATING, TESTED TO ASTM E84
- RETAINER:** 6063 T-5 ALUMINUM RETAINER CLIP, NOMINAL 0.080" (2.03mm) THICK X 2" WIDE
- EXTRUSION:** PEBBLE GRAIN FINISH WHICH CONTAINS EPA REGISTERED MICRO-CHEK ANTIMICROBIAL AGENT, 1-1/2" IS SMOOTH SATIN FINISH
- VINYL CRASH RAIL LENGTH:** PROVIDED IN 20' CONTINUOUS SECTIONS
- END CAP: #CRVS4E-EC, OUTSIDE CORNER: #CRVS4E-OC, INSIDE CORNER: #CRVS4E-IC, SPLICE KIT: #CRVS4E-SK
- FASTENERS AND PARTITION COMPONENTS PROVIDED BY OTHERS.

PROPRIETARY AND CONFIDENTIAL: THE INFORMATION CONTAINED IN THIS DRAWING IS THE SOLE PROPERTY OF NYSTROM. ANY REPRODUCTION IN PART OR AS A WHOLE WITHOUT THE WRITTEN PERMISSION OF NYSTROM IS PROHIBITED.

PROJECT:			
ARCHITECT:			
CONTRACTOR:			
		TITLE: 4" VINYL CRASH RAIL SURFACE MOUNT, END CAP ECONOMY 2" CLIP MOUNTING	
9300 73rd Avenue North Minneapolis, MN 55428			
NAME	DATE	SIZE	DWG. NO.
DRAWN	MDS 26APR13	A	CRVS4E
RELEASED	PGE 01MAY13	WEIGHT: 0.299 lbs/ft	SHEET 1 OF 1