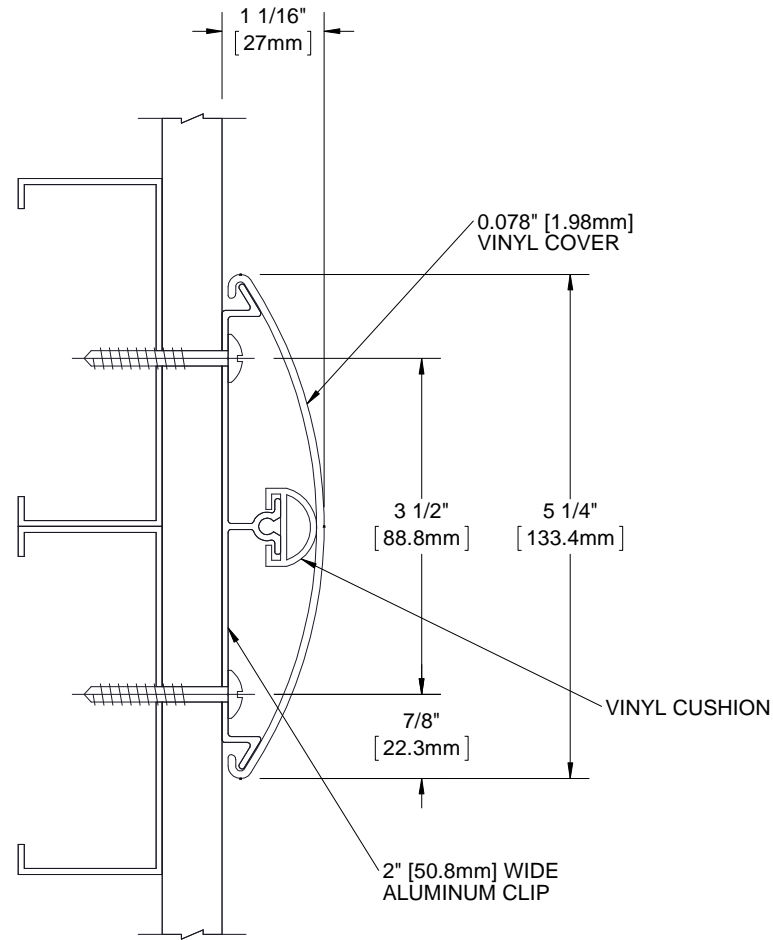


QUANTITY


COLOR



**NOTES:**

1. **PROFILE:** HIGH IMPACT VINYL ACRYLIC EXTRUSION LOCKED IN PLACE, NOMINAL 0.078" (1.98mm) THICK
2. CLASS A FIRE RATING, TESTED TO ASTM E84
3. **RETAINER:** 6063 T-5 ALUMINUM RETAINER CLIP, NOMINAL 0.062" (1.52mm) THICK X 2" WIDE
4. **EXTRUSION:** PEBBLE GRAIN FINISH WHICH CONTAINS EPA REGISTERED MICRO-CHEK ANTIMICROBIAL AGENT
5. **VINYL CRASH RAIL LENGTH:** PROVIDED IN 20' CONTINUOUS SECTIONS
6. END CAP: #CRVS5C-ECT, OUTSIDE CORNER: #CRVS5C-OCT, 135 DEG OUTSIDE CORNER: #CRVS5C-OC135, SPLICE KIT: #CRVS5E-SK
7. FASTENERS AND PARTITION COMPONENTS PROVIDED BY OTHERS.

PROPRIETARY AND CONFIDENTIAL: THE INFORMATION CONTAINED IN THIS DRAWING IS THE SOLE PROPERTY OF NYSTROM. ANY REPRODUCTION IN PART OR AS A WHOLE WITHOUT THE WRITTEN PERMISSION OF NYSTROM IS PROHIBITED.

PROJECT:					
ARCHITECT:					
CONTRACTOR:					
 9300 73rd Avenue North Minneapolis, MN 55428		TITLE: 5" VINYL CRASH RAIL CRESCENT SHAPE, SURFACE MOUNT ECONOMY 2" MOUNTING CLIP			
		NAME	DATE	SIZE	DWG. NO.
DRAWN	MDS	04JUN13	A	CRVS5E	A
RELEASED	PGE	04JUN13	WEIGHT: 0.17 lbs/ft		SHEET 1 OF 1