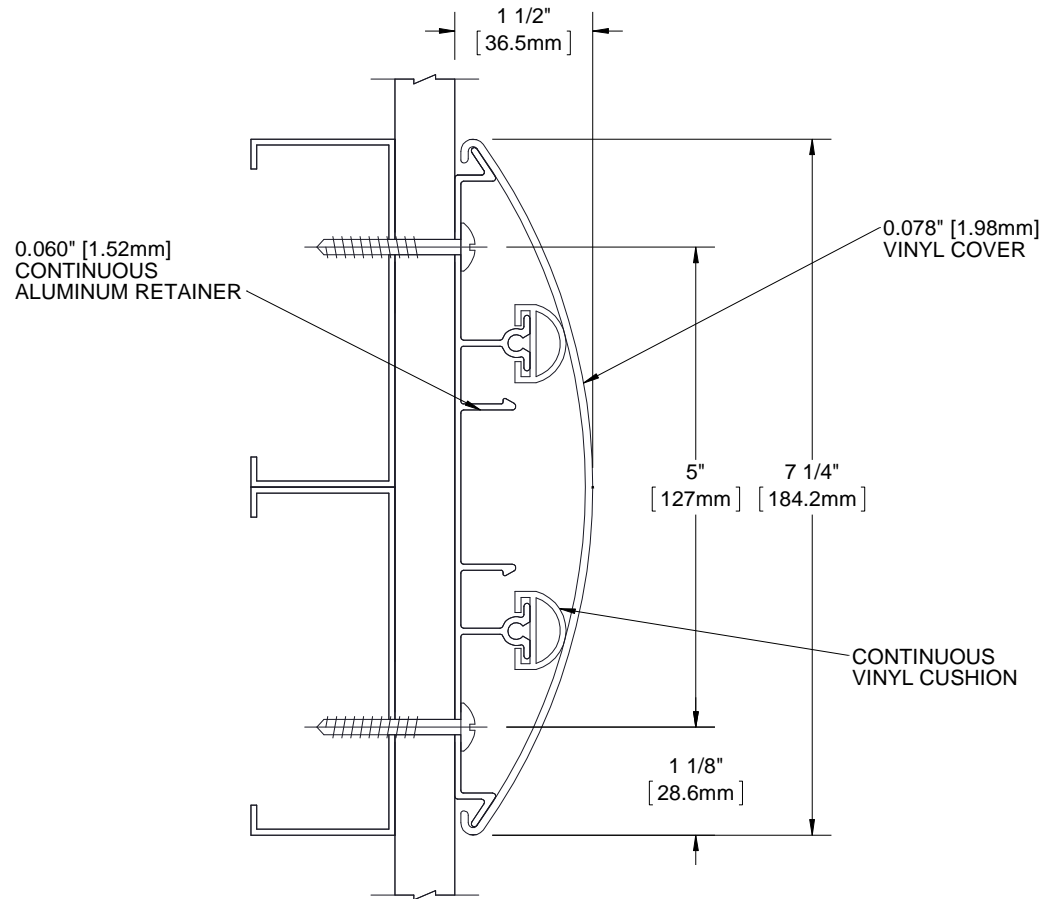



QUANTITY

COLOR



NOTES:

1. **PROFILE:** HIGH IMPACT VINYL ACRYLIC EXTRUSION LOCKED IN PLACE, NOMINAL 0.078" (1.98mm) THICK
2. CLASS A FIRE RATING, TESTED TO ASTM E84
3. **RETAINER:** CONTINUOUS 6063 T-5 ALUMINUM RETAINER, NOMINAL 0.060" (1.52mm) THICK
4. **EXTRUSION:** PEBBLE GRAIN FINISH WHICH CONTAINS EPA REGISTERED MICRO-CHEK ANTIMICROBIAL AGENT
5. **VINYL CRASH RAIL LENGTH:** PROVIDED IN 20' CONTINUOUS SECTIONS
6. END CAP: #CRVS7C-ECT, OUTSIDE CORNER: #CRVS7C-OCT, 135 DEG OUTSIDE CORNER: #CRVS7C-OC135, SPLICE KIT: #CRVS7C-SK
7. FASTENERS AND PARTITION COMPONENTS PROVIDED BY OTHERS.

PROJECT:					
ARCHITECT:					
CONTRACTOR:					
 9300 73rd Avenue North Minneapolis, MN 55428		TITLE: 7" VINYL CRASH RAIL CRESCENT SHAPE, SURFACE MOUNT CONTINUOUS RETAINER			
		NAME	DATE	SIZE	DWG. NO.
DRAWN	MDS	24APR13	A	CRVS7C	A
RELEASED	PGE	01MAY13	WEIGHT: 1.50 lbs/ft	SHEET 1 OF 1	