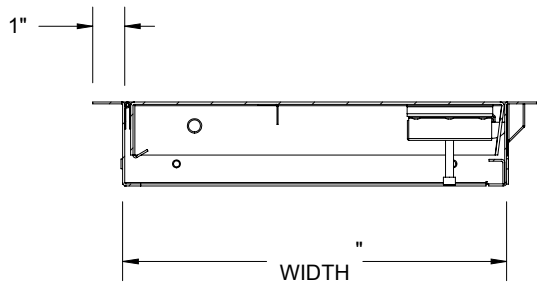


SECTION A-A



SECTION B-B

**ROUGH OPENING:**       " X       "  
**CLEAR OPENING:**       " X       "  
**DEGREE OF OPENING:** ° X       "

NOTES:

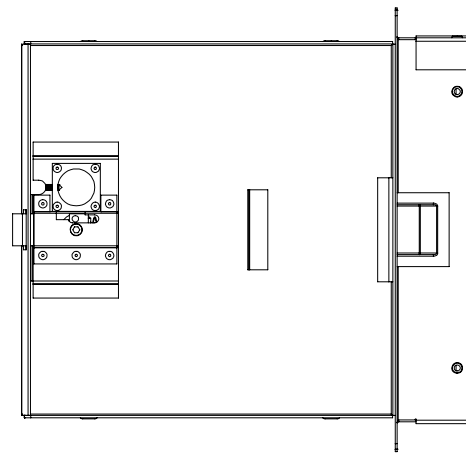
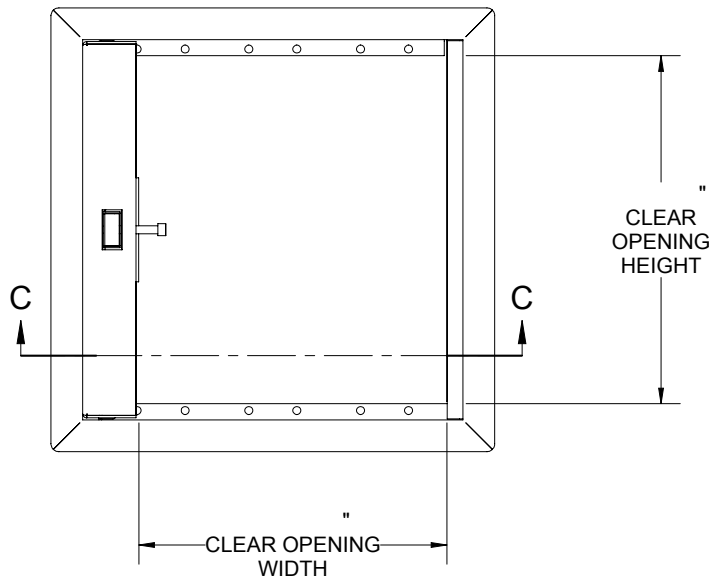
- ① **FRAME:**
- ② **DOOR:**
- 3 **FINISH:**
- ④ **HINGE:**
- 5 **SECONDARY LATCH:**
- ⑥ **LOCK:** Knurled Knob/Keyed Slam Latch

PROPRIETARY AND CONFIDENTIAL: THE INFORMATION CONTAINED IN THIS DRAWING IS THE SOLE PROPERTY OF NYSTROM. ANY REPRODUCTION IN PART OR AS A WHOLE WITHOUT THE WRITTEN PERMISSION OF NYSTROM IS PROHIBITED.

PROJECT:				
ARCHITECT:				
CONTRACTOR:				
QTY:				
PART#:				
<b>nystrom</b>	TITLE:			
9300 73rd Avenue North Minneapolis, MN 55428				
NAME	DATE	SIZE	DWG. NO.	REV
DRAWN		A		-
RELEASED		WEIGHT: VARIES		SHEET 1 OF 2

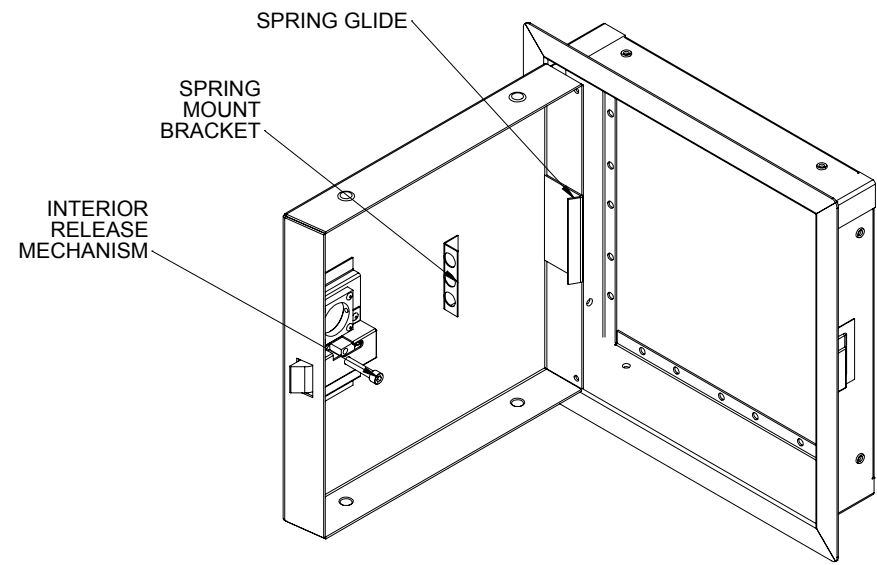
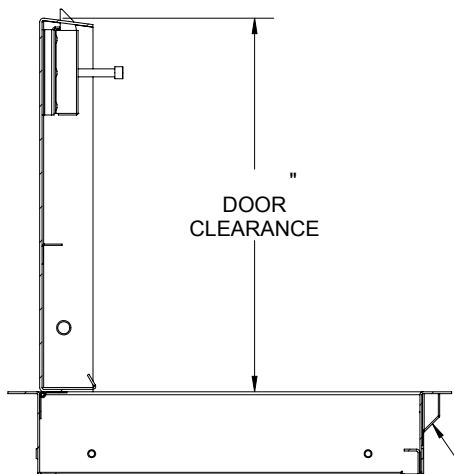
B

B




A

A



LATCH BOLT COVER  
EXTENDS 1/2" BEYOND  
OUTSIDE EDGE OF FRAME

PART#:		TITLE:		
 9300 73rd Avenue North Minneapolis, MN 55428		NAME	DATE	REV
		SIZE	DWG. NO.	-
DRAWN		A		
RELEASED		WEIGHT: VARIES		SHEET 2 OF 2