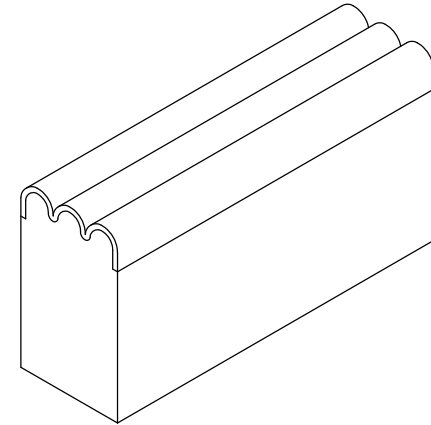


ES SERIES		
MODEL	JOINT NOMINAL	DEPTH
EJ-ES-100	1"	1 1/2"
EJ-ES-150	1 1/2"	2"
EJ-ES-200	2"	2"
EJ-ES-250	2 1/2"	2"
EJ-ES-300	3"	2 1/2"
EJ-ES-350	3 1/2"	2 1/2"
EJ-ES-400	4"	2 1/2"
EJ-ES-500	5"	4"

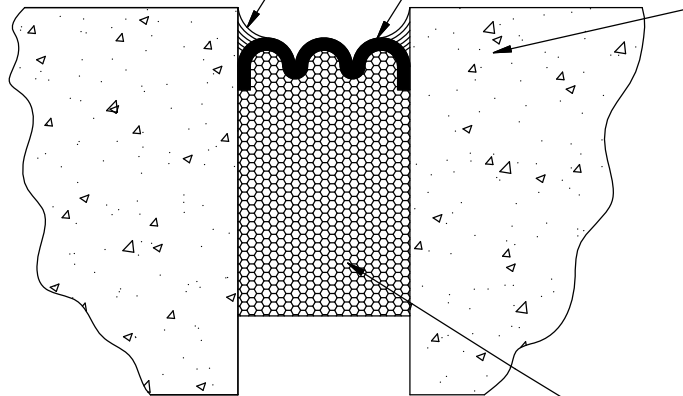


FIELD APPLIED SEALANT BAND AND CORNER BEAD

FACTORY APPLIED U.V. RESISTANT COLORABLE SILICONE ELASTOMETRIC FACE MEMBRANE

WALL CONSTRUCTION (BY OTHERS)  
(BRICK, MASONRY, BLOCK, PRECAST PANELS, CURTAIN WALLS, METAL CLADDING, EIFS APPLICATIONS AND GENERAL BUILDING FACADES)

**NOTE:**  
ALL FACADES WITH SPLIT FACE BLOCK, IT IS RECOMMENDED THAT BLOCK FACE ON INSIDE OF OPENING IS SMOOTH TO ACHIEVE A QUALITY INSTALLATION



CLOSED CELL FOAM (NOT PRE-COMPRESSED)

VIEW DIFFERS DEPENDING ON PRODUCT SIZE

ES SERIES COLORS
Limestone
White
Beige
Light Gray
Black
Medium Bronze
Sandstone
Adobe Tan
Dusty Rose
Quarry Red
Charcoal
Colonial White

**ES Product Notes:**

1. Expansion joint cover for interior and exterior walls, ceilings and soffit.
2. Sizes under 1 1/2" (40mm) are manufactured with a single bellows. Larger sizes incorporate multiple bellows.
3. Joint movement capability is + 25% and - 25% (50% total) of nominal material size.

CUSTOMER:			
JOB REF:			
LOCATION:			
QTY:			
<p>9300 73rd Avenue North Minneapolis, MN 55428</p>		TITLE:	
		EJ-ES SERIES, EJ Seal, Interior/Exterior, Wall to Wall, Recess Mount, Compression, Closed Cell Foam, 5 FT Lengths	
NAME	DATE	SIZE	DWG. NO.
DRAWN	DKL	7/16/19	A
RELEASED	GLN	7/16/19	WEIGHT:
			REV
EJ-ES SERIES			A
SHEET 1 OF 1			