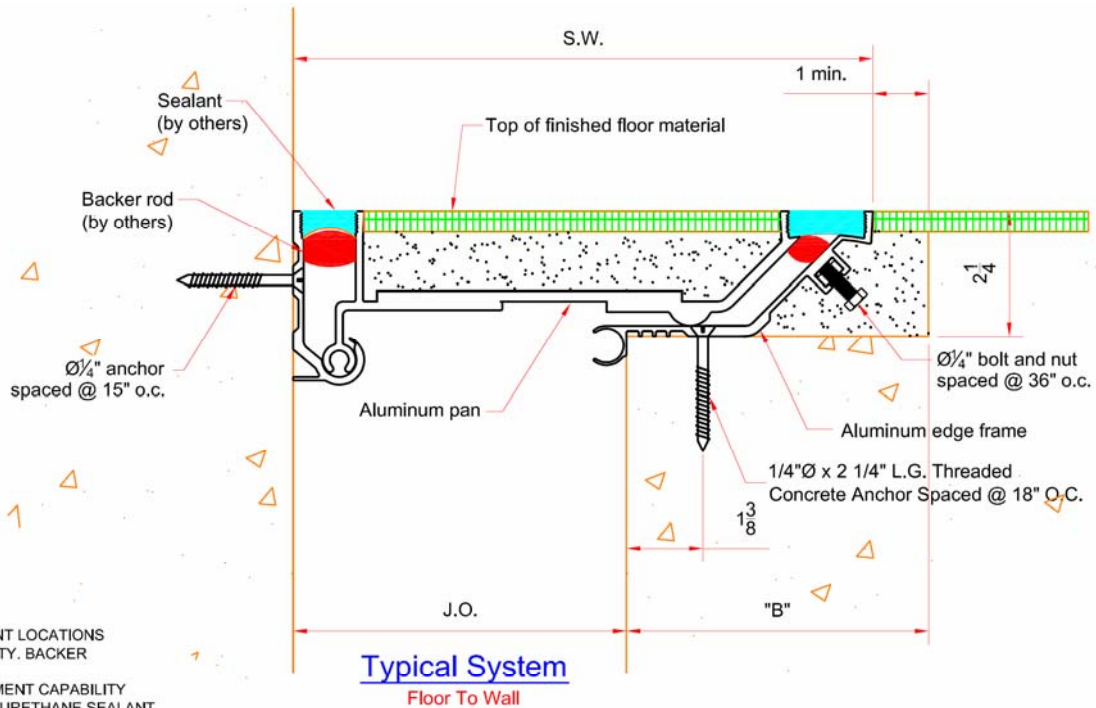


EJ-FLP-W Series

Expansion joint cover for floors Floor to wall condition



- NOTE:
1. BACKER ROD AT SEALANT LOCATIONS NOT SHOWN FOR CLARITY. BACKER ROD BY OTHERS.
 2. TOTAL THERMAL MOVEMENT CAPABILITY OF 2 COMPONENT POLYURETHANE SEALANT IS 5/8" (TYPICAL ALL MODEL SIZES)
 3. ENHANCED MOVEMENT CAPABILITIES AVAILABLE.

Note: Exposed Aluminum Surfaces Mill Finish (standard).

Model	Joint Opening (J.O.)						Total Seismic Movement		S.W.		B (min)		
	at install		allow min.		allow max.		at install		at install		at install		
	inches	mm	inches	mm	inches	mm	inches	mm	inches	mm	inches	mm	
EJ-FLP-400W	4	100	2	51	5	127	3	76	8	7/16	214	6	152
EJ-FLP-600W	6	152	2	51	7 1/2	191	5 1/2	140	10	7/16	265	6	152
EJ-FLP-800W	8	203	2	51	10	254	8	203	13	7/16	341	7	178
EJ-FLP-1000W	10	254	2	51	12 1/2	318	10 1/2	267	15	7/16	392	7	178
EJ-FLP-1200W	12	305	2	51	15	381	13	330	17	15/16	456	7	178
EJ-FLP-1600W	16	406	2	51	20	508	18	457	22	15/16	583	8	203
EJ-FLP-1800W	18	457	2	51	22 1/2	572	20 1/2	521	26	7/16	672	10	254

Note: J.O. minimum and maximum values are after seismic movement occurs.