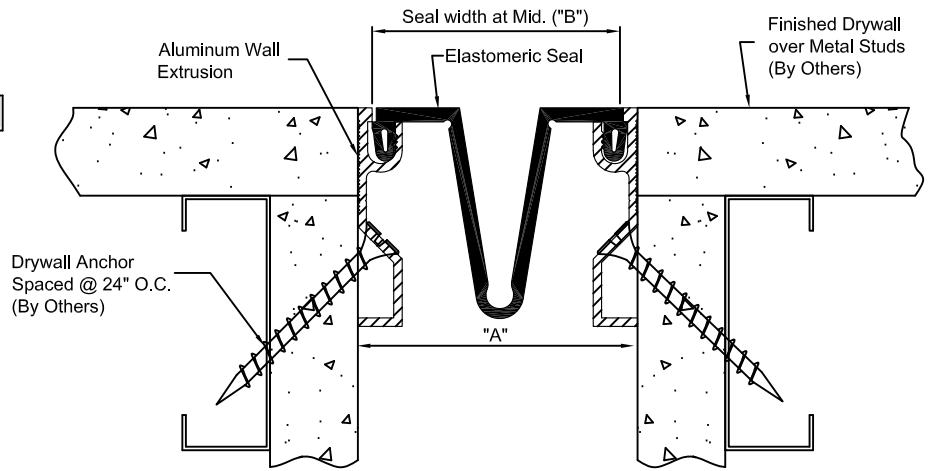


**EJ-LCH-100 DETAIL**  
WALL TO WALL CONDITION



**EJ-LCH-200 thru 300 DETAIL**  
WALL TO WALL CONDITION

( ) - Denotes Millimeters

Dimension Chart					
MODEL	"A" @ Min.	"A" @ Mid.	"A" @ Max.	Total Mv't	"B"
EJ-LCH-100	.50"(13)	1.00"(25)	1.50"(38)	1.00"(25)	1.00"(25)
EJ-LCH-200	1.00"(25)	2.00"(51)	3.00"(76)	2.00"(51)	2.00"(51)
EJ-LCH-300	1.50"(38)	3.00"(76)	4.50"(114)	3.00"(76)	3.00"(76)