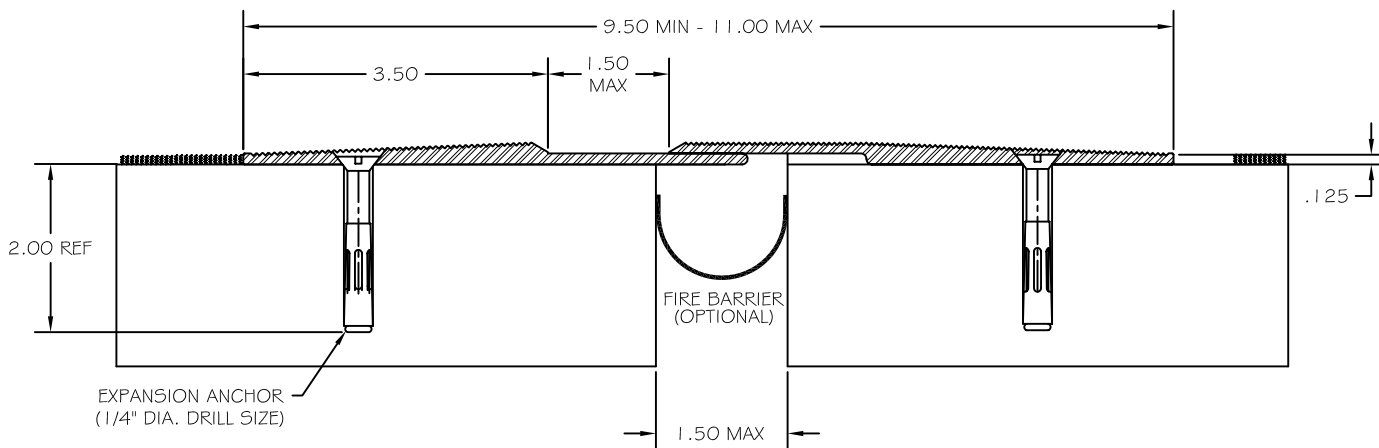


PLAN VIEW
(NOT TO SCALE)



SURFACE CROSS SECTION
(NOT TO SCALE)

SPECIFICATIONS

- 6063-T6 ALUMINUM
- MILL FINISH
- SUPPLIED W/ EXPANSION ANCHORS
- STANDARD LENGTH = 10'/SECTION

MAX LOAD @ 1.5" JOINT OPENING	
CONCENTRATED	200#
UNIFORM	70 PSI

