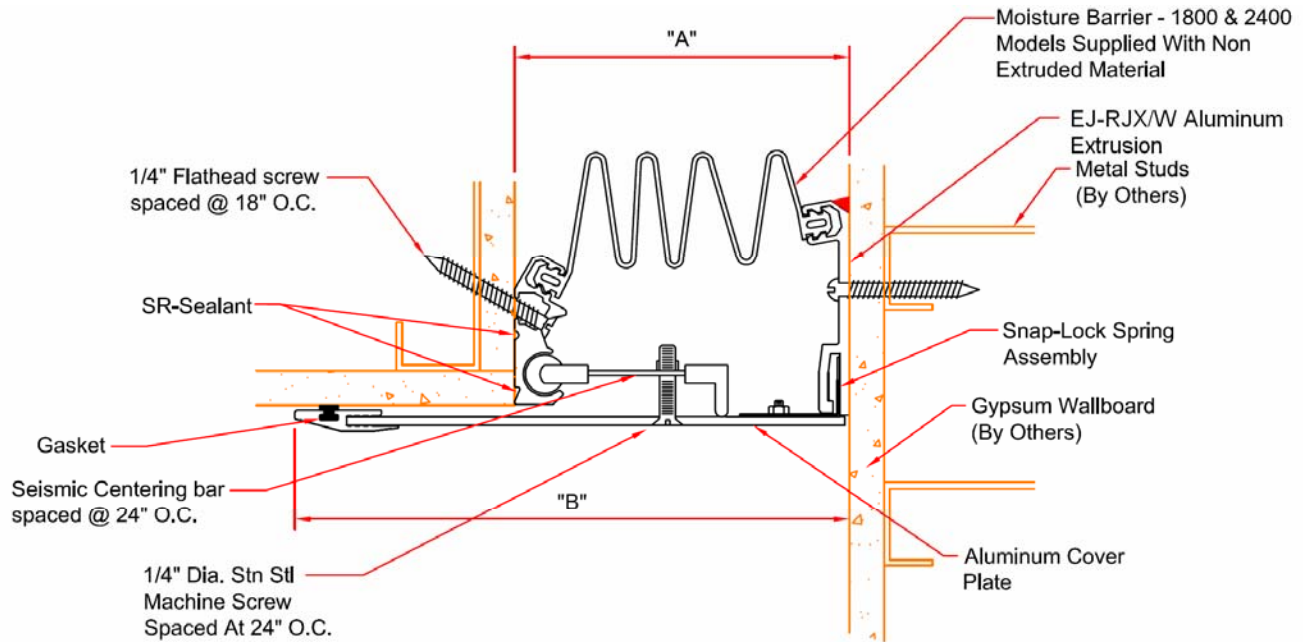


EJ-RJX-600W through EJ-RJX-2400W

Exterior Expansion Joint Cover System for Walls and Ceilings
Wall-to-Wall Corner or Ceiling-to-Ceiling Corner Condition



EJ-RJX-600W THRU -2400W DETAIL

WALL-TO-WALL EXTERIOR CORNER CONDITION

() - Denotes Millimeters

DIMENSION CHART					
MODEL	"A" @ MIN.	"A" @ MID.	"A" @ MAX.	"B"	TOTAL MOVEMENT
EJ-RJX-600W	3-1/8"(79)	6"(152)	9-3/8"(238)	9-3/4"(248)	6-1/4"(159)
EJ-RJX-800W	4-1/8"(105)	8"(203)	12-3/8"(314)	12-3/4"(324)	8-1/4"(209)
EJ-RJX-1000W	5-1/8"(130)	10"(254)	15-3/8"(391)	15-3/4"(400)	10-1/4"(260)
EJ-RJX-1200W	6-1/8"(156)	12"(305)	18-3/8"(467)	18-3/4"(476)	12-1/4"(311)
EJ-RJX-1800W	9-1/8"(232)	18"(457)	27-3/8"(695)	27-3/4"(705)	18-1/4"(464)
EJ-RJX-2400W	12-1/8"(308)	24"(610)	36-3/8"(924)	36-3/4"(933)	24-1/4"(616)

Note: Minimum And Maximum Values Are After Movement Occurs. Mid Point Value Is The Recommended Size Of Opening At Installation.