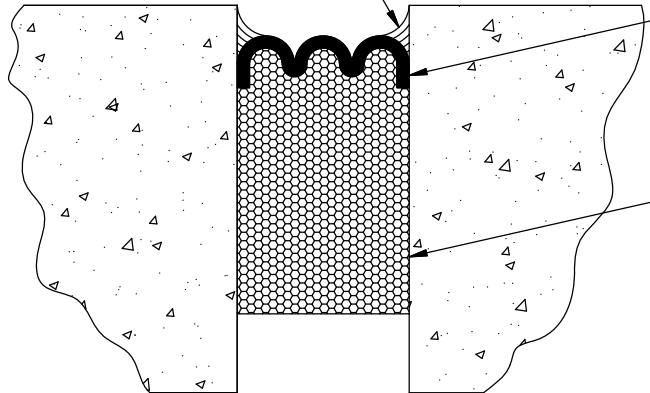


SES SERIES		
MODEL	JOINT NOMINAL	DEPTH
EJ-SES-050	1/2"	1 1/2"
EJ-SES-075	3/4"	1 1/2"
EJ-SES-100	1"	1 1/2"
EJ-SES-125	1 1/4"	2 1/4"
EJ-SES-150	1 1/2"	2 1/4"
EJ-SES-175	1 3/4"	2 1/2"
EJ-SES-200	2"	2 1/2"
EJ-SES-225	2 1/4"	2 1/2"
EJ-SES-250	2 1/2"	2 3/4"
EJ-SES-275	2 3/4"	3"
EJ-SES-300	3"	3 1/2"
EJ-SES-325	3 1/4"	3 3/4"
EJ-SES-350	3 1/2"	3 3/4"
EJ-SES-375	3 3/4"	4 1/4"
EJ-SES-400	4"	4 1/2"
EJ-SES-425	4 1/4"	4 1/2"
EJ-SES-450	4 1/2"	5"
EJ-SES-475	4 3/4"	5 1/4"
EJ-SES-500	5"	5 1/2"
EJ-SES-525	5 1/4"	5 3/4"
EJ-SES-550	5 1/2"	5 3/4"
EJ-SES-575	5 3/4"	5 3/4"
EJ-SES-600	6"	6"
EJ-SES-650	6 1/2"	6 1/2"
EJ-SES-700	7"	7"
EJ-SES-750	7 1/2"	7 1/2"
EJ-SES-800	8"	8"
EJ-SES-850	8 1/2"	8"
EJ-SES-900	9"	8"
EJ-SES-950	9 1/2"	8"
EJ-SES-1000	10"	8"
EJ-SES-1200	12"	8"

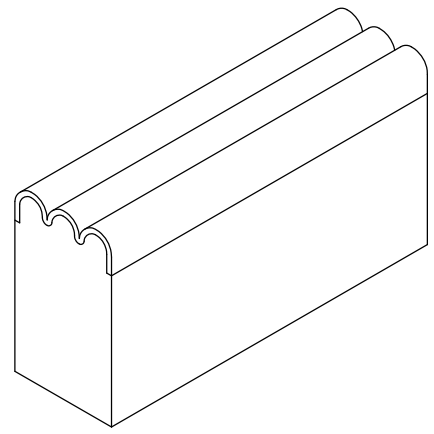
FIELD APPLIED SEALANT BAND AND CORNER BEAD



FACTORY APPLIED & CURED SILICONE BELLOWS WEATHER FACING

WATER-BASED, ACRYLIC-INFUSED EXPANDING FOAM ANCHORING SYSTEM

VIEW DIFFERS DEPENDING ON PRODUCT SIZE



SES SERIES COLORS
Limestone
White
Beige
Light Gray
Black
Medium Bronze
Sandstone
Adobe Tan
Dusty Rose
Quarry Red
Charcoal
Colonial White

SES Product Notes

1. Ideally suited for ensuring watertightness in vertical-plane structural, seismic, and abutment joints in walls of precast concrete, brick, curtain-wall, stone, etc.
2. Sizes under 1-1/2" (40mm) are manufactured with a single bellows. Larger sizes incorporate multiple bellows.
3. Joint movement capability is + 50% and - 50% (100% total) of nominal material size.

PROPRIETARY AND CONFIDENTIAL: THE INFORMATION CONTAINED IN THIS DRAWING IS THE SOLE PROPERTY OF NYSTROM. ANY REPRODUCTION IN PART OR AS A WHOLE WITHOUT THE WRITTEN PERMISSION OF NYSTROM IS PROHIBITED.

CUSTOMER:					
JOB REF:					
LOCATION:					
QTY:					
 9300 73rd Avenue North Brooklyn Park, MN 55428		TITLE: EJ-SES SERIES, EJ Seal, Int/Ext, Wall to Wall, Compression, 6.56 FT Lengths			
		NAME	DATE	SIZE	DWG. NO.
DRAWN	DKL	1/2/15	A	EJ-SES SERIES	B
RELEASED	GN	1/2/15	WEIGHT:	SHEET 1 OF 1	