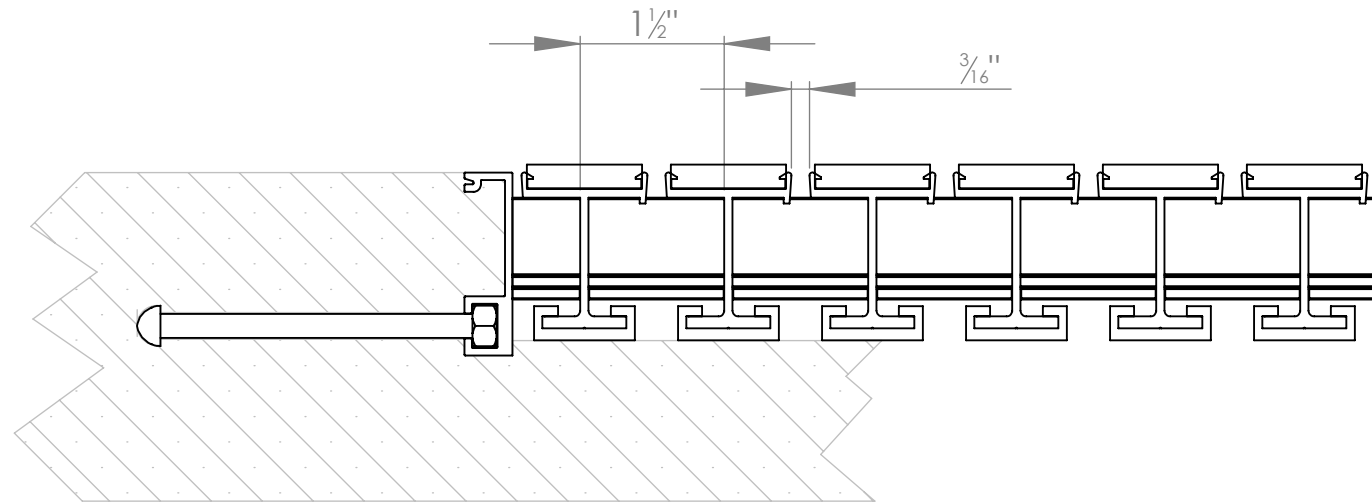




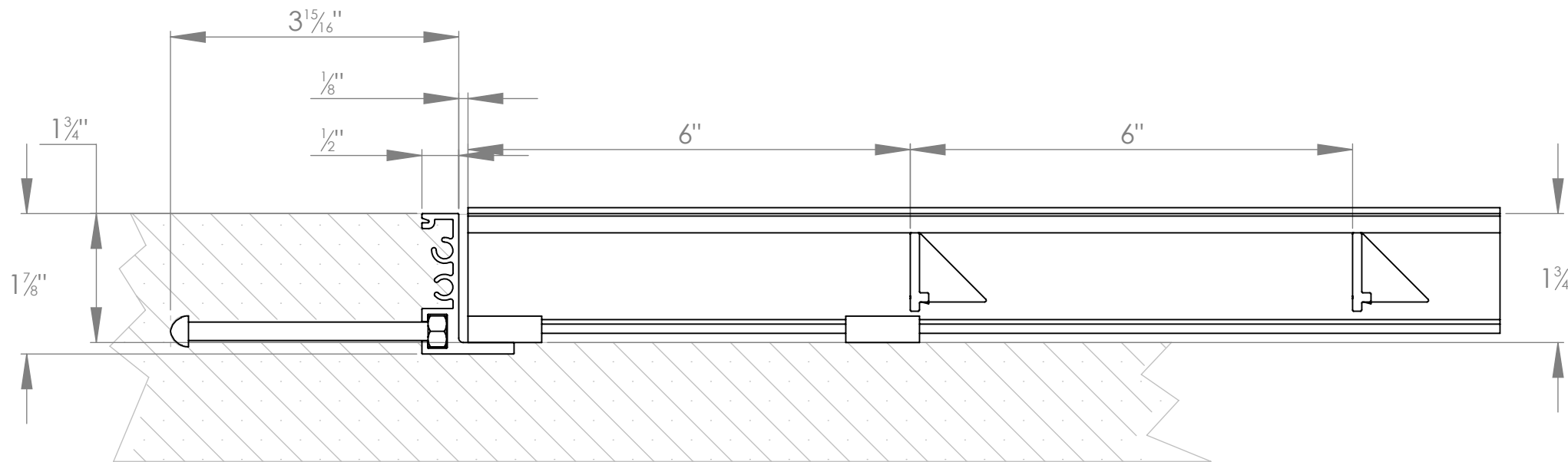
F-1 LEVEL BED FRAME DETAIL



WIDTH VIEW

LEVEL BED FRAMES ALLOW GRATES TO REST DIRECTLY ON THE RECESSED CONCRETE. THIS FRAME IS MEANT FOR USE WITH ALL 1-3/4" (44.5MM) GRATES

SPECIFICATIONS:
 TYPE F-1 ALUMINUM LEVEL BED GRATE FRAME IS 1-15/16 (49.2MM) DEEP BY 1/2" (12.7MM) PROFILE. OUR RAILS ARE MADE FROM 6063-T52 ALUMINUM ALLOY EXTRUSIONS. WE RECOMMEND 3" BLOCK OUT FOR INSTALLATION



LENGTH VIEW

Arden
 Architectural
 Specialties, Inc.
 9300 73rd Avenue North
 Brooklyn Park, MN 55428

JOB REF.	
MODEL NO.	F-1
RELEASED DATE	6/3/2010
SHEET 1 OF 1	