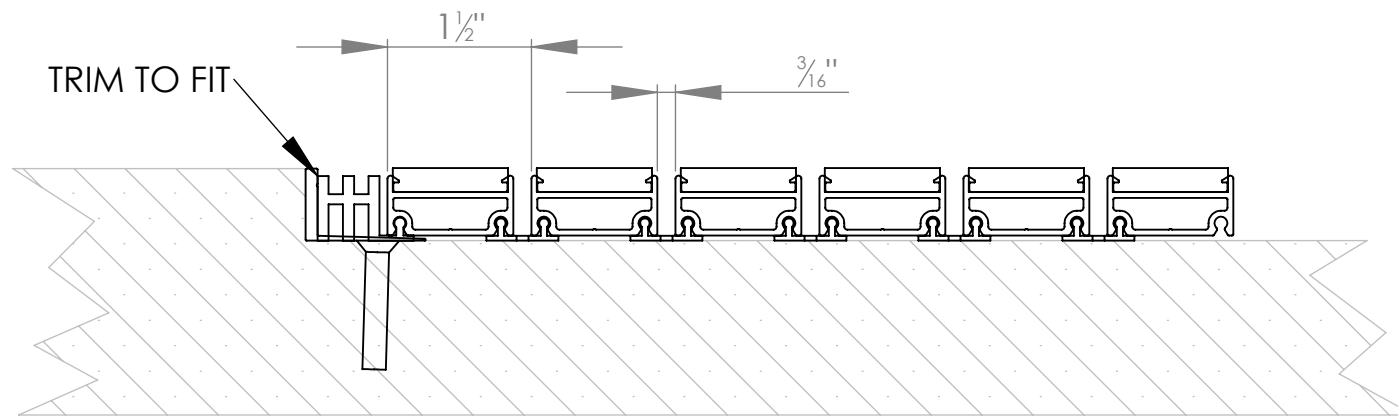




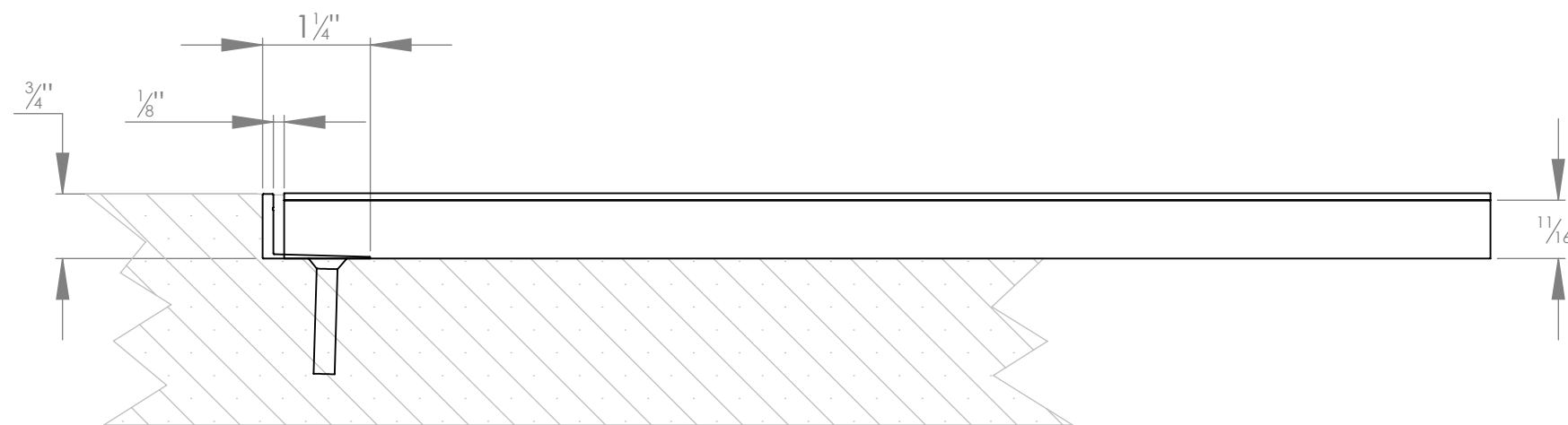
F-14 RECESSED ANGLE FRAME DETAIL



WIDTH VIEW

THE F-14 FRAME IS MEANT FOR USE WITH THE GRATEDESIGN ROLL UP GRATES AND ENVIRONTREAD II MODEL G-218 SERIES GRATES WHEN FIELD FIELD CONDITIONS PREVENT THE USE OF A FRAME THAT REQUIRES A LARGE BLOCK OUT FOR INSTALLATION.

SPECIFICATIONS:
 TYPE F-14 ALUMINUM RECESSED FRAME IS 3/4" (19.1MM) DEEP BY 1/8" (3.2MM) PROFILE. OUR RAILS ARE MADE FROM 6063-T52 ALUMINUM ALLOY EXTRUSIONS.



LENGTH VIEW

Arden
 Architectural
 Specialties, Inc.
 9300 73rd Avenue North
 Brooklyn Park, MN 55428

| |
|---|
| JOB REF. |
| MODEL NO. F-14 |
| RELEASED DATE 6/3/2010 SHEET 1 OF 1 |