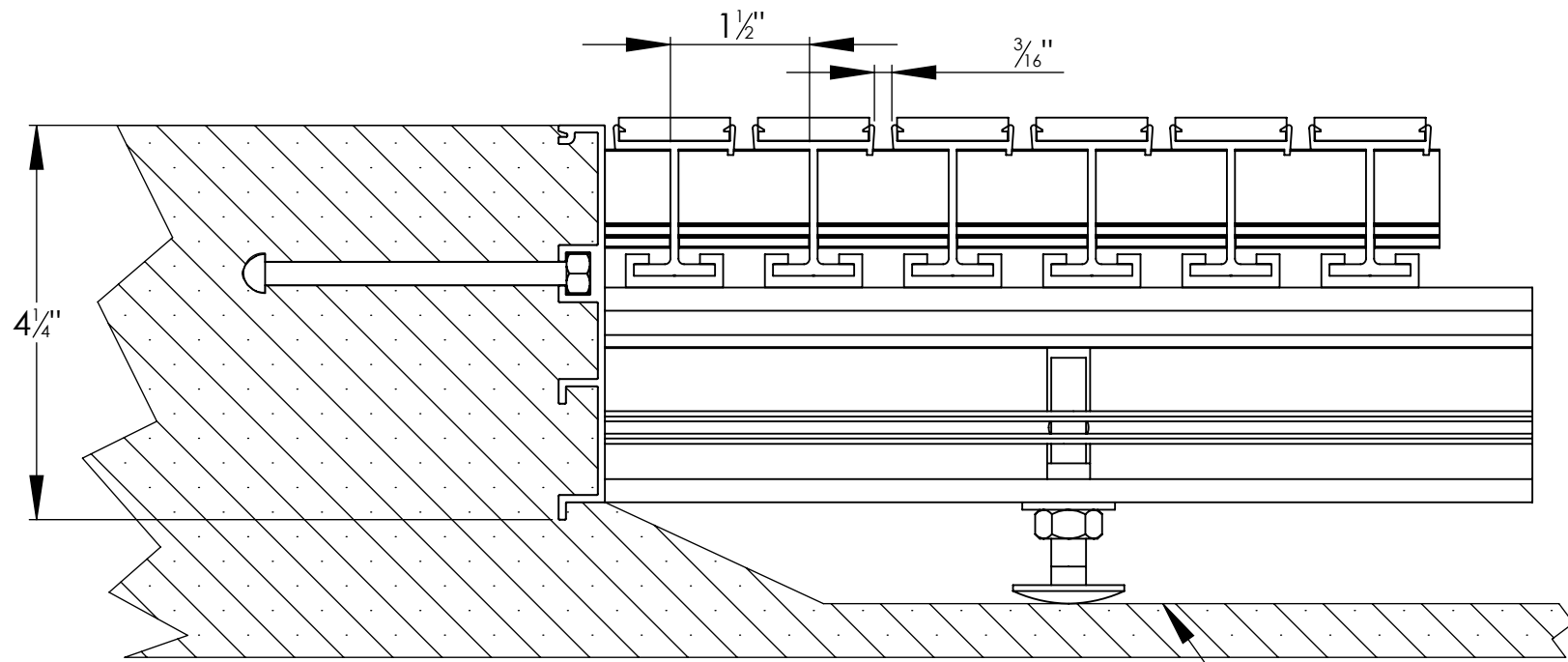




F-2C DEEP PIT FRAME DETAIL

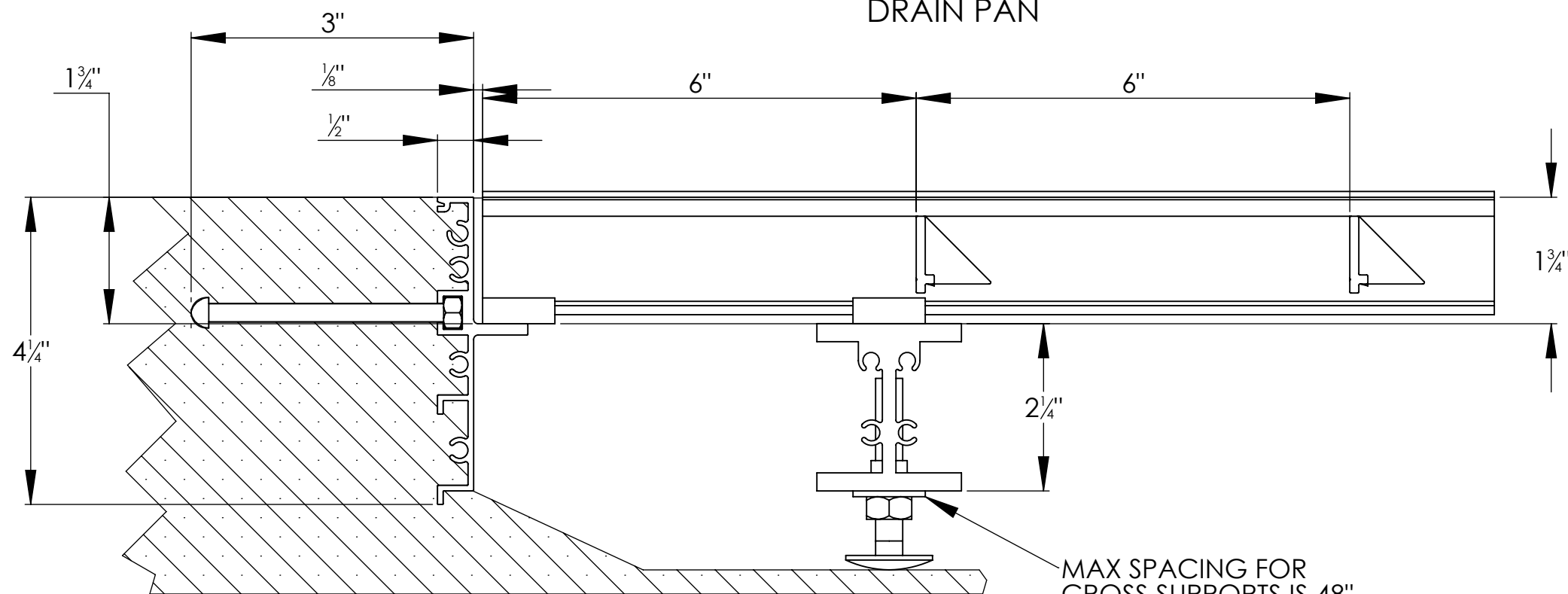


WIDTH VIEW

OPTIONAL
DRAIN PAN

DEEP-PIT FRAMES ALLOW GRATES TO SPAN COLLECTION BASINS OR SLOPED RECESSES FOR DRAINS. THE FRAME SUPPORTS THE EDGES AND ADJUSTABLE CROSS SUPPORTS. CROSS SUPPORTS PROVIDE EVEN SUPPORT THROUGHOUT THE GRATE. THIS FRAME IS MEANT FOR USE WITH ALL 1-3/4" (44.5MM) GRATES

SPECIFICATIONS:
TYPE F-2C ALUMINUM DEEP-PIT GRATE FRAME IS 4-1/4 (108MM) DEEP BY 1/2" (12.7MM) PROFILE. OUR RAILS ARE MADE FROM 6063-T52 ALUMINUM ALLOY EXTRUSIONS. CROSS SUPPORTS HAVE A MAX SPAN OF 48" (1.2M) ON CENTER. WE RECOMMEND 3" HORIZONTAL AND VERTICAL BLOCK OUT FOR INSTALLATION



LENGTH VIEW

MAX SPACING FOR
CROSS SUPPORTS IS 48"

Arden
Architectural
Specialties, Inc.
9300 73rd Avenue North
Brooklyn Park, MN 55428

JOB REF.
MODEL NO. F-2C
RELEASED DATE 5/4/2011 SHEET 1 OF 1