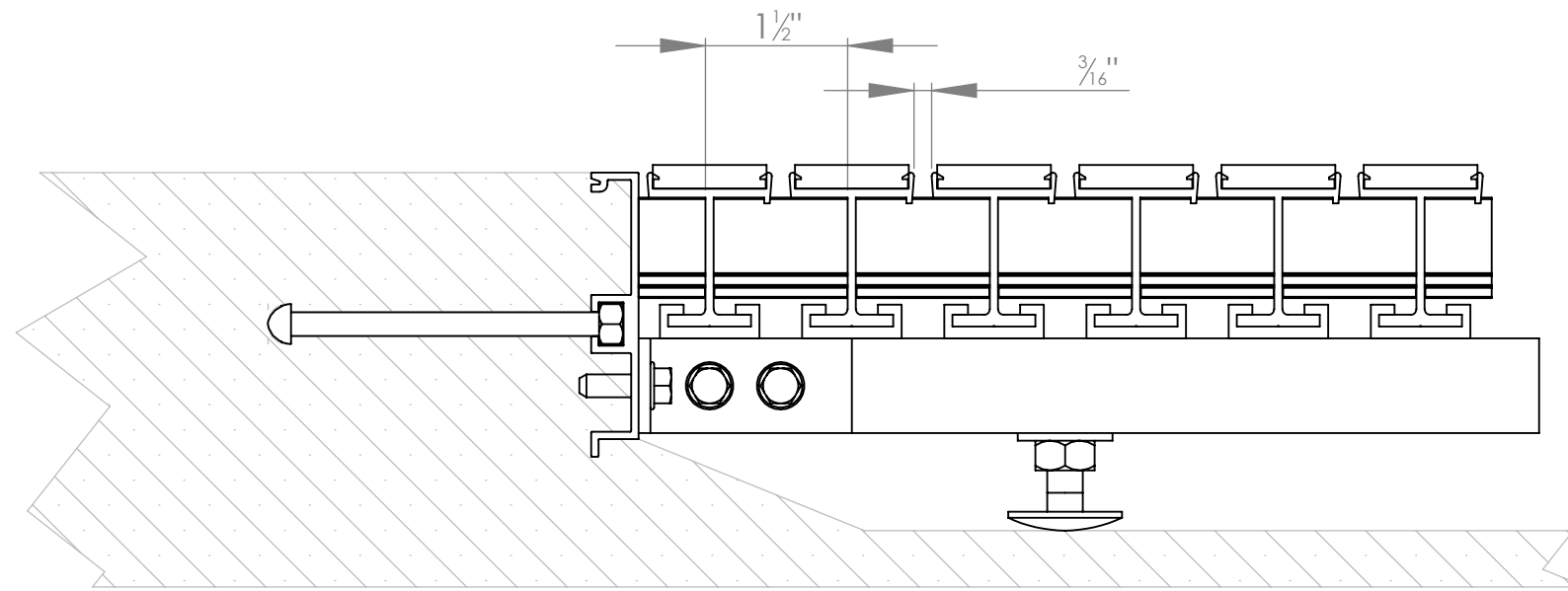




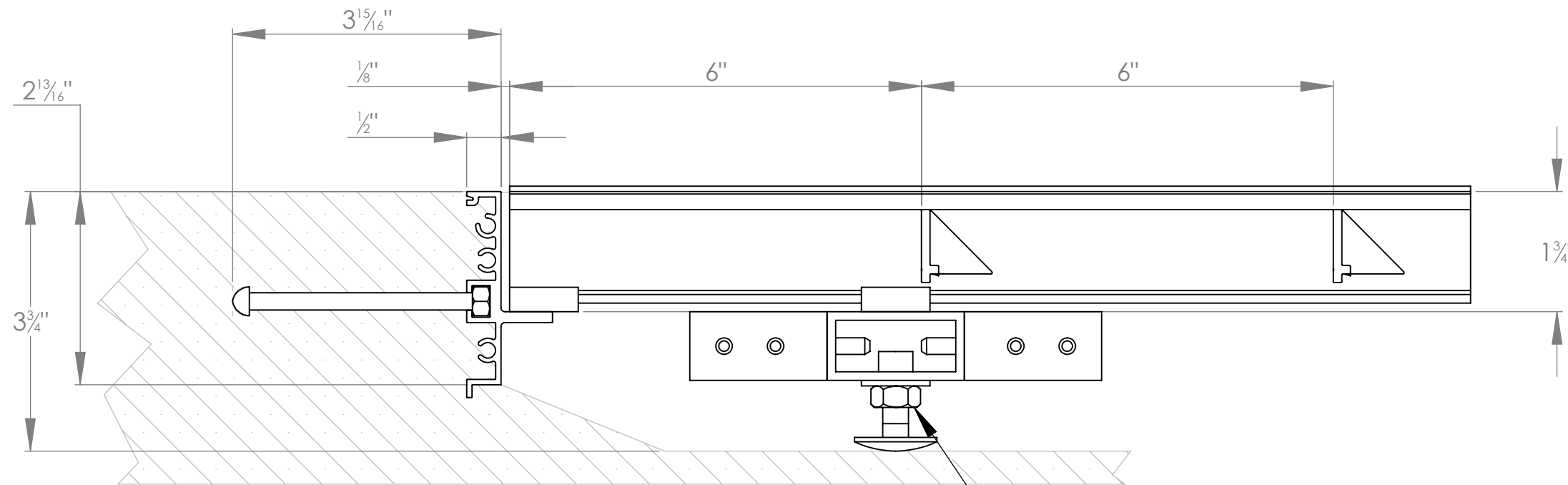
# F-2T THIN SLAB FRAME DETAIL

THIN -SLAB FRAMES ALLOW GRATE TO SPAN COLLECTION BASINS OR SLOPED RECESSES FOR DRAINS IN LIMITED DEPTH APPLICATIONS. THE FRAME SUPPORTS THE EDGES AND ADJUSTABLE CROSS SUPPORT. CROSS SUPPORTS PROVIDE EVEN SUPPORT THROUGHOUT THE GRATE. THIS FRAME IS MEANT FOR USE WITH ALL 1-3/4" (44.5MM) GRATES

**SPECIFICATIONS:**  
 TYPE F-2C ALUMINUM THIN SLAB GRATE FRAME IS 3" (76.2MM) DEEP BY 1/2" (12.7MM) PROFILE. OUR RAILS ARE MADE FROM 6063-T52 ALUMINUM ALLOY EXTRUSIONS. CROSS SUPPORTS HAVE A MAX SPAN OF 48" (1.2M) ON CENTER. WE RECOMMEND 3" BLOCK OUT FOR INSTALLATION



WIDTH VIEW



LENGTH VIEW

MAX SPACING FOR CROSS SUPPORTS IS 48"

Arden  
 Architectural  
 Specialties, Inc.  
 9300 73rd Avenue North  
 Brooklyn Park, MN 55428

JOB REF.	
MODEL NO.	<b>F-2T</b>
RELEASED DATE	6/3/2010
SHEET 1 OF 1	