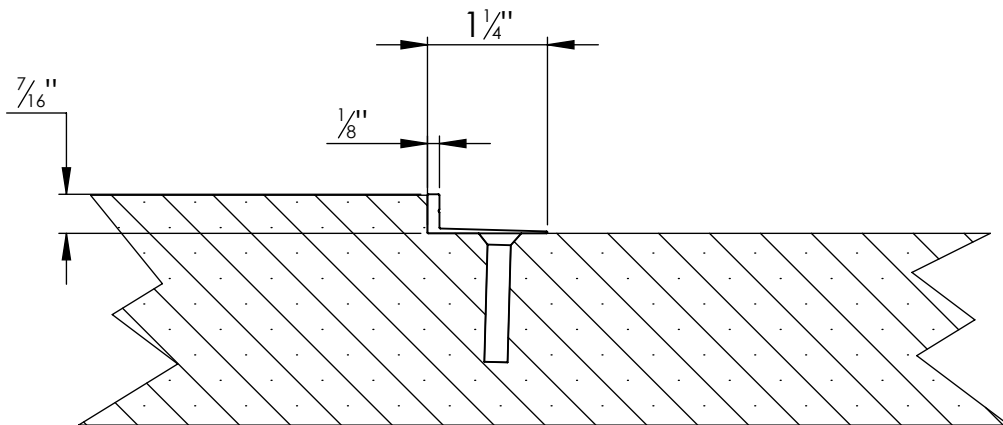


WIDTH VIEW




LENGTH VIEW

Detail Notes:

1. The F-6 thin line, tapered angle frame can be used butting up to carpet or tile or in an existing recess.
2. The frame is designed for use with all MatDesign, QuietFlex and model M-675 series ScrapesGrate entrance mats.

Specifications:

Type F-6 aluminum thin line frame is 7/16 (11.1mm) deep by 1/8" (3.2mm) profile and is made from 6063-T52 aluminum alloy.

| | | | | | |
|--|------|--|------------|-----------|--------------|
| PROJECT: | | | | | |
| ARCHITECT: | | | | | |
| CONTRACTOR: | | | | | |
|  Right to site. 9300 73rd Avenue North Minneapolis, MN 55428 | | DESCRIPTION: | | | |
| | | Thin Line Mat Frame 1/8" Profile, 7/16" Depth 3/8" Mat Depth | | | |
| | NAME | DATE | SIZE | MODEL NO. | REV |
| DRAWN | MDS | 01/12/12 | A | F-6 | A |
| RELEASED | PGE | 03/16/12 | SCALE: NTS | | SHEET 1 OF 1 |