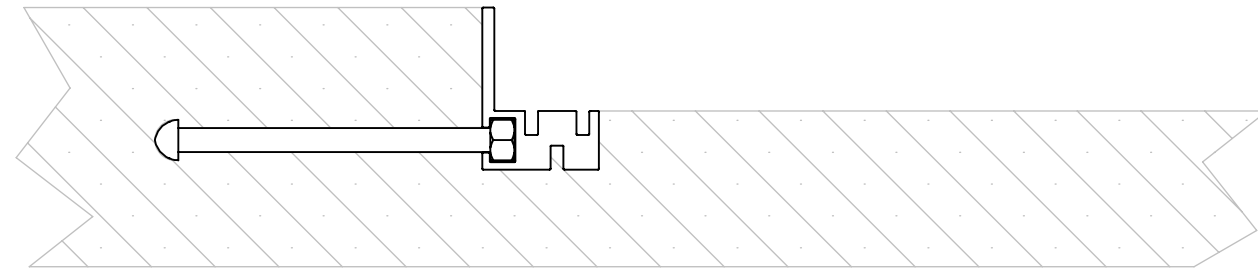
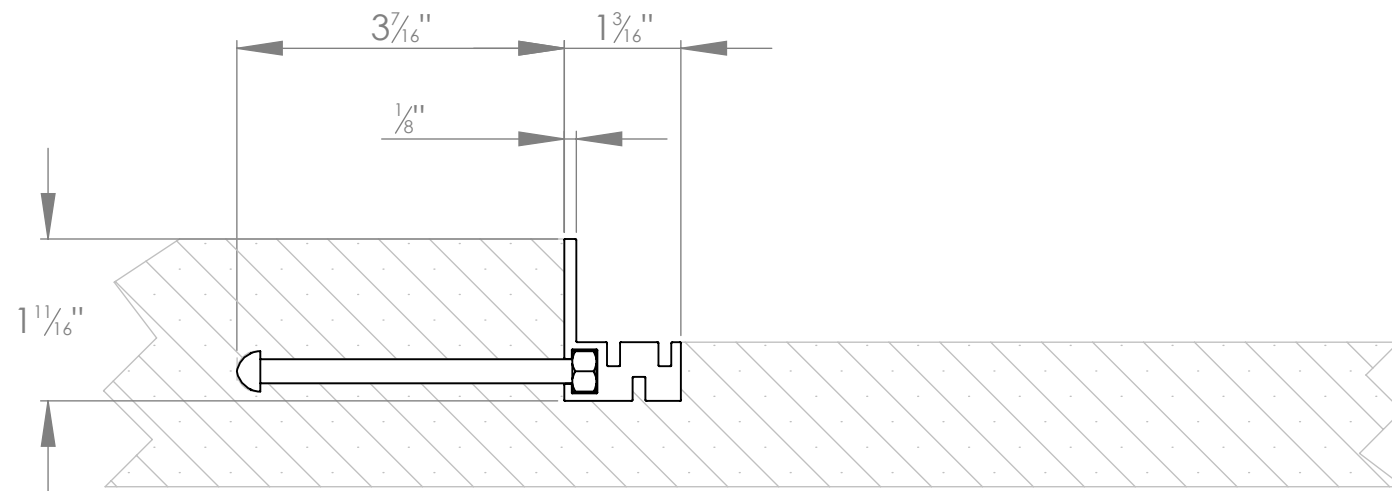


F-8 RECESSED ALUMINUM FRAME DETAIL



WIDTH VIEW



LENGTH VIEW

THE F-8 FRAME IS A STANDARD RECESSED GRATE FRAME THAT ALLOWS THE SS-98G GRATE TO REST FLUSH WITH THE FLOOR SURFACE.

SPECIFICATIONS:
 TYPE F-8 ALUMINUM LEVEL BED GRATE FRAME IS 1-11/16 (42.9MM) DEEP BY 1/8" (3.2MM) PROFILE. OUR RAILS ARE MADE FROM 6063-T52 ALUMINUM ALLOY EXTRUSIONS. WE RECOMMEND 3" BLOCK OUT FOR INSTALLATION



9300 73rd Avenue North
 Brooklyn Park, MN 55428

JOB REF.

MODEL NO. **F-8**

RELEASED DATE 6/3/2010

SHEET 1 OF 1