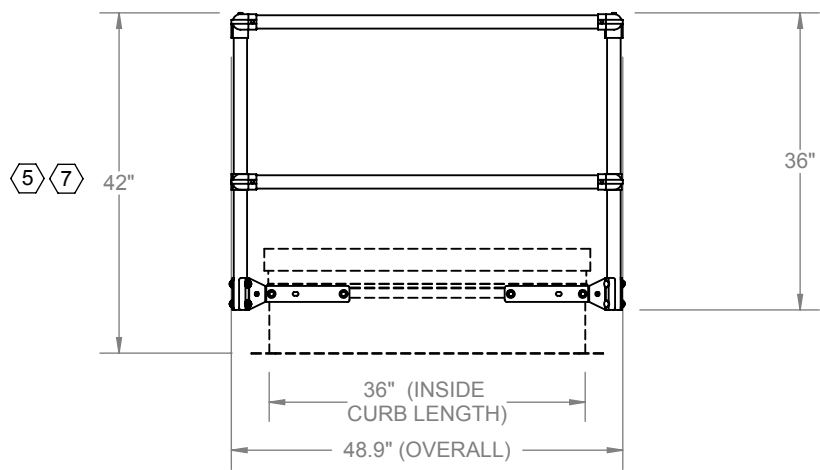


(SMOKE VENT SHOWN FOR ILLUSTRATIVE PURPOSES ONLY)



SPECIFICATIONS

- ① **RAILS, POSTS:** 6061 T6 ALUMINUM ALLOY 1 1/4" SCH 40
- ② **COUNTERFLASH MOUNTING BRACKETS:** 3/16" ZINC PLATED STEEL FASTENED TO STEEL BACKING PLATE
- ③ **BOLTS:** HEX HEAD BOLTS 3/8"-16 x 3/4" GRADE 5 ZINC PLATED
- ④ **RAILING FITTINGS AND PLUGS:** MANUFACTURER'S STANDARD CAST WITH SET SCREW HOLD

- ⑤ **CERTIFICATIONS:** MEETS OSHA 29 CFR 1910.23 GUARDING FOR OPENINGS REQUIREMENTS.
 - SUPPORTS 200 LBS. FORCE
 - 8' MAXIMUM POST SPACING
 - TOP RAIL LOCATED 42" ±3" FROM WALKING SURFACE

FINISH: SAFETY YELLOW POWDER COAT

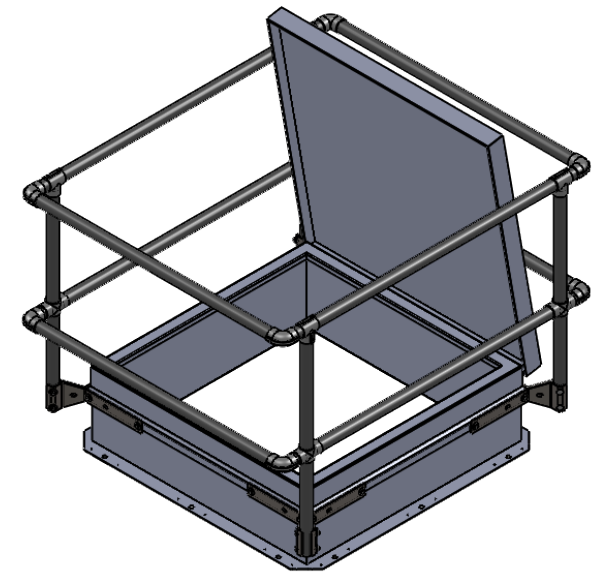
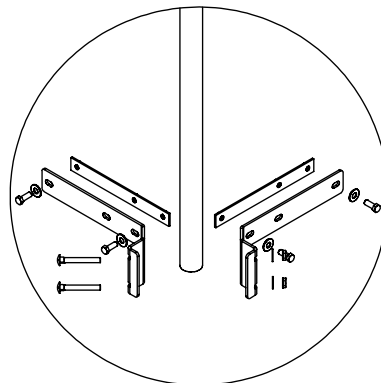
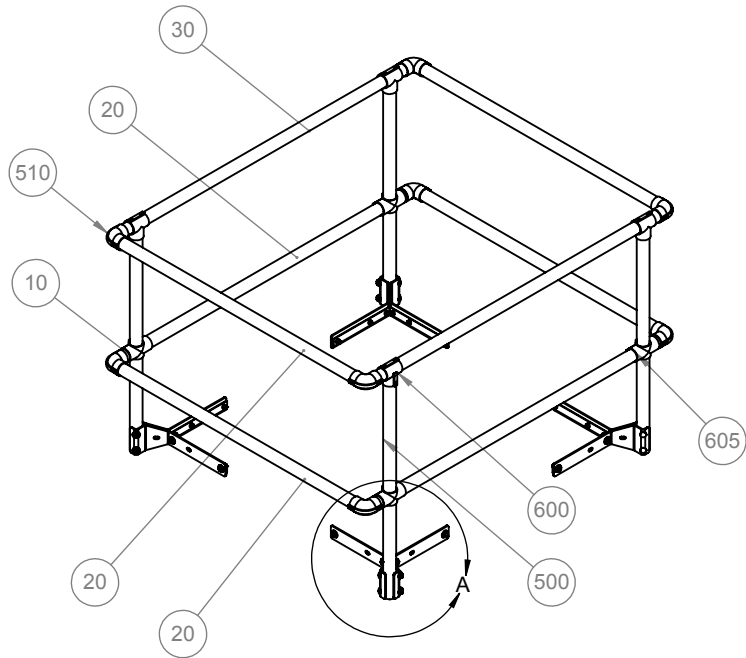
- 6. **SMOKE VENT SIZE:** 36" (WIDTH) x 30" (LENGTH)

- ⑦ NOT FOR USE ON SMOKE VENTS WITH DOMES OR SMOKE VENTS WITHOUT COUNTERFLASHING. SAFETY RAILING SIZE AND TOP RAIL LOCATION BASED ON STANDARD SMOKEN VENTS. CONSULT FACTORY FOR SMOKE VENTS WITH CUSTOM OPTIONS.

PROPRIETARY AND CONFIDENTIAL: THE INFORMATION CONTAINED IN THIS DRAWING IS THE SOLE PROPERTY OF NYSTROM. ANY REPRODUCTION IN PART OR AS A WHOLE WITHOUT THE WRITTEN PERMISSION OF NYSTROM IS PROHIBITED. ©2020 NYSTROM, INC.

PROJECT:											
ARCHITECT:											
CONTRACTOR:											
QTY:											
PART#:		SRVAY36X36NN									
 Company Address		TITLE: Safety Railings for Smoke Vents 36x36, No Exit, Steel, Aluminum									
		<table border="1"> <tr> <th>NAME</th> <th>DATE</th> <th>SIZE</th> <th>DWG. NO.</th> <th>REV</th> </tr> <tr> <td>DRAWN SJB</td> <td>7/30/18</td> <td>A</td> <td>SRVAY36X36NN</td> <td>A</td> </tr> </table>	NAME	DATE	SIZE	DWG. NO.	REV	DRAWN SJB	7/30/18	A	SRVAY36X36NN
NAME	DATE	SIZE	DWG. NO.	REV							
DRAWN SJB	7/30/18	A	SRVAY36X36NN	A							
RELEASED	DWO	TODAY	WEIGHT: 999 LB	SHEET 1 OF 2							

ITEM NO.	PART NUMBER	DESCRIPTION	QTY.
10	27496-2.50-Y	RAIL, 1-1/4" X 2.50L, ALUM	4
20	27496-44.75-Y	RAIL, 1-1/4" X 44.75L, ALUM	6
30	27496-53.50-Y	RAIL, 1-1/4" X 53.50L, ALUM	2
500	27180-A-Y	PKG, CORNER POST, ALUM	4
510	27185	FTG, ELBOW,	8
600	27200	FTG, TEE-MID,	4
605	27230	FTG, CROSS TEE,	4



(SMOKE VENT SHOWN FOR ILLUSTRATIVE PURPOSES ONLY)

INSTALLATION NOTES:

1. TO DRILL HOLES IN COUNTERFLASHING TO MOUNT RAILING BRACKETS, TEMPORARILY ASSEMBLE THE RAILING BRACKETS AND MARK MOUNTING HOLES ON EACH CORNER. DRILL 1/2" DIAMETER HOLES THROUGH COUNTERFLASHING OF CURB.
2. REFERENCE MANUFACTURING INSTALLATION INSTRUCTIONS FOR FURTHER DETAILS.

			TITLE: Safety Railings for Smoke Vents 36x36, No Exit, Steel, Aluminum		
9300 73rd Avenue North Minneapolis, MN 55428					
NAME	DATE	SIZE	DWG. NO.	REV	
SJB	7/30/18	A	SRVAY36X36NN	A	
RELEASED	DWO	TODAY	WEIGHT: 999 LB	SHEET 2 OF 2	