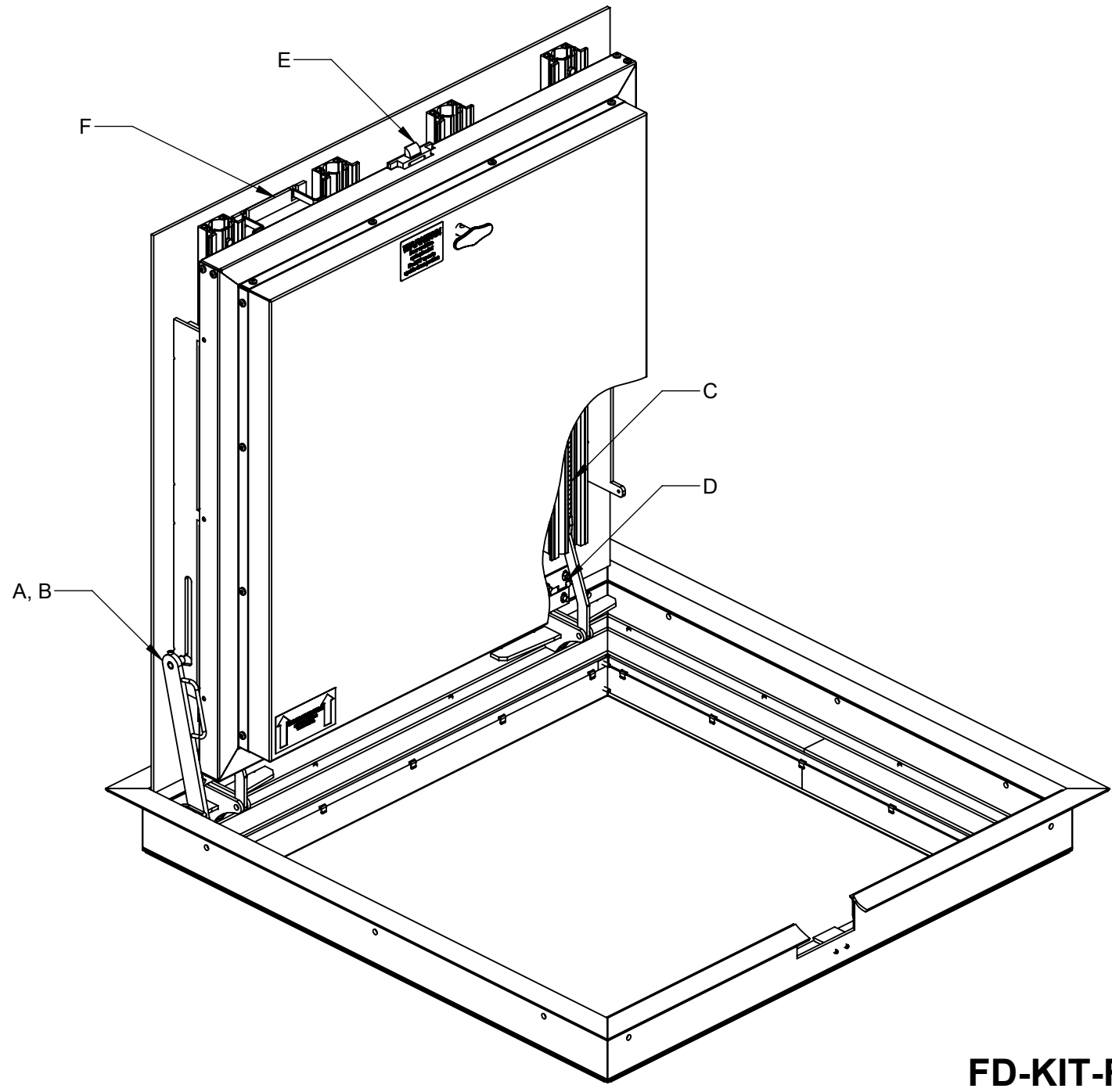



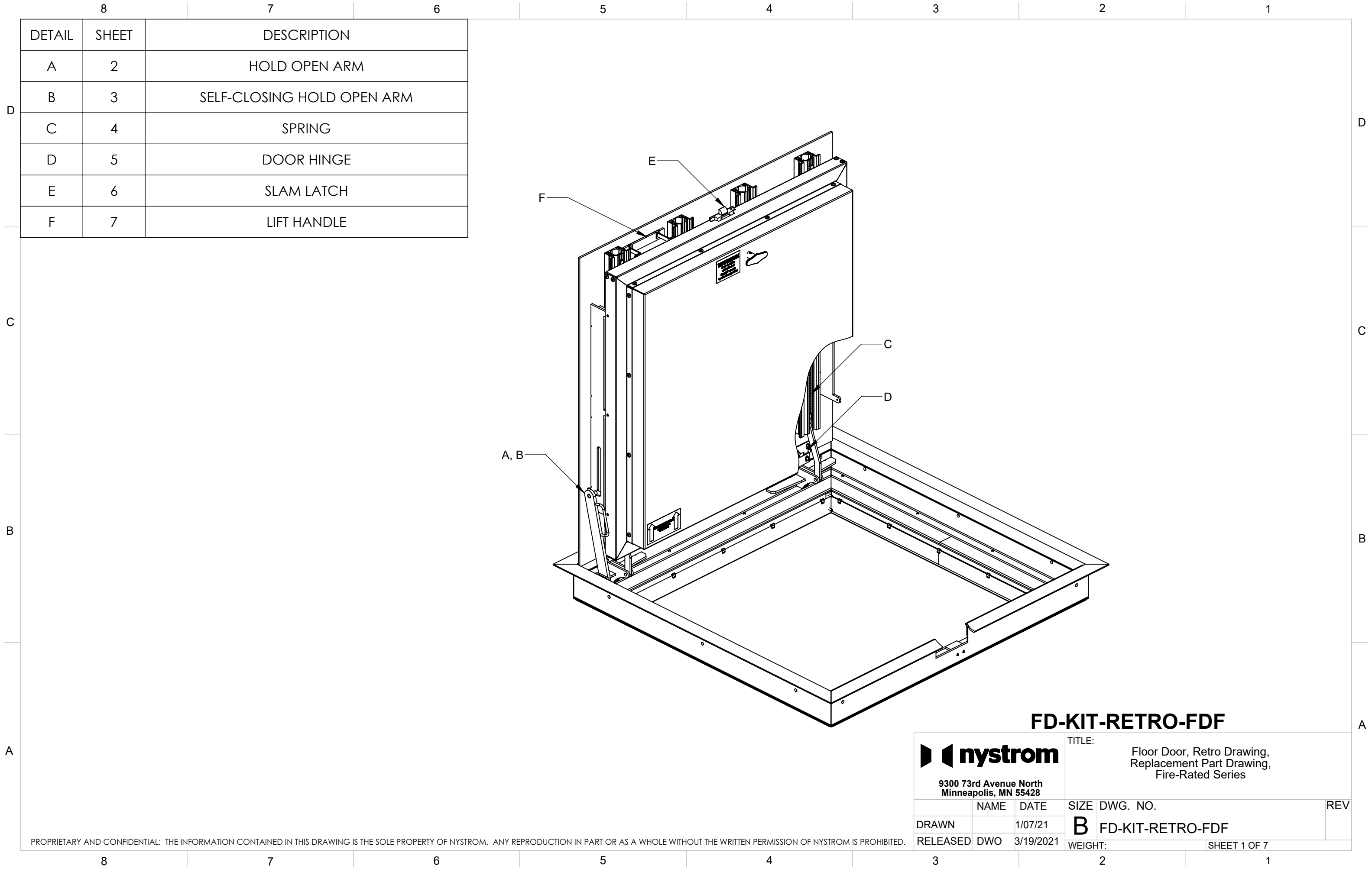
DETAIL	SHEET	DESCRIPTION
A	2	HOLD OPEN ARM
B	3	SELF-CLOSING HOLD OPEN ARM
C	4	SPRING
D	5	DOOR HINGE
E	6	SLAM LATCH
F	7	LIFT HANDLE



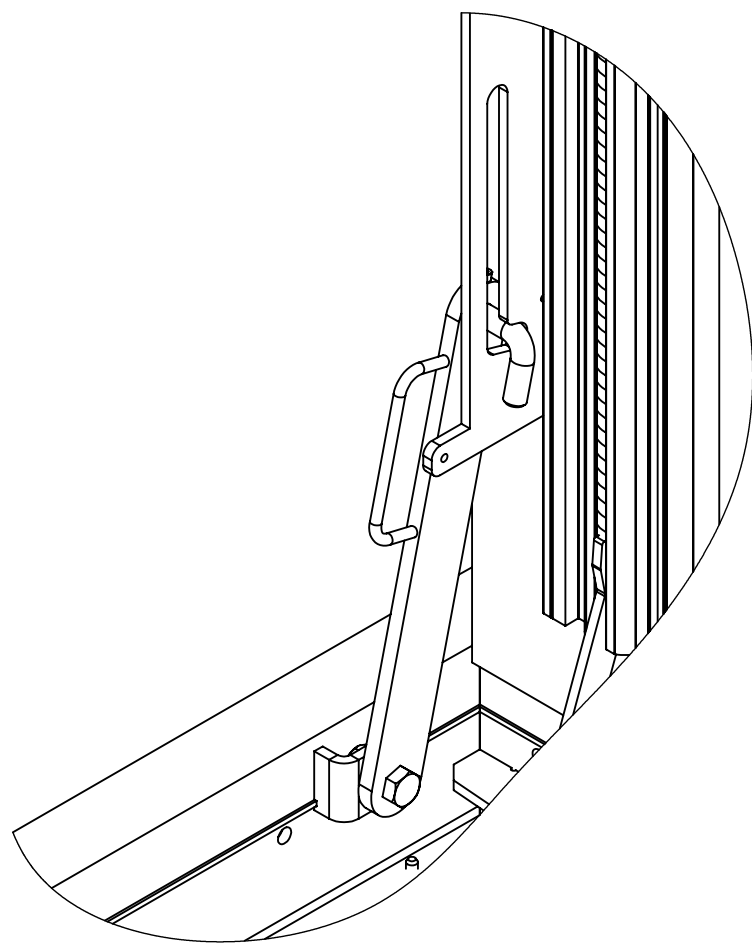
FD-KIT-RETRO-FDF

 9300 73rd Avenue North Minneapolis, MN 55428		TITLE: Floor Door, Retro Drawing, Replacement Part Drawing, Fire-Rated Series		
		SIZE	DWG. NO.	REV
DRAWN	NAME	DATE	B FD-KIT-RETRO-FDF	
RELEASED	DWO	3/19/2021	WEIGHT:	SHEET 1 OF 7

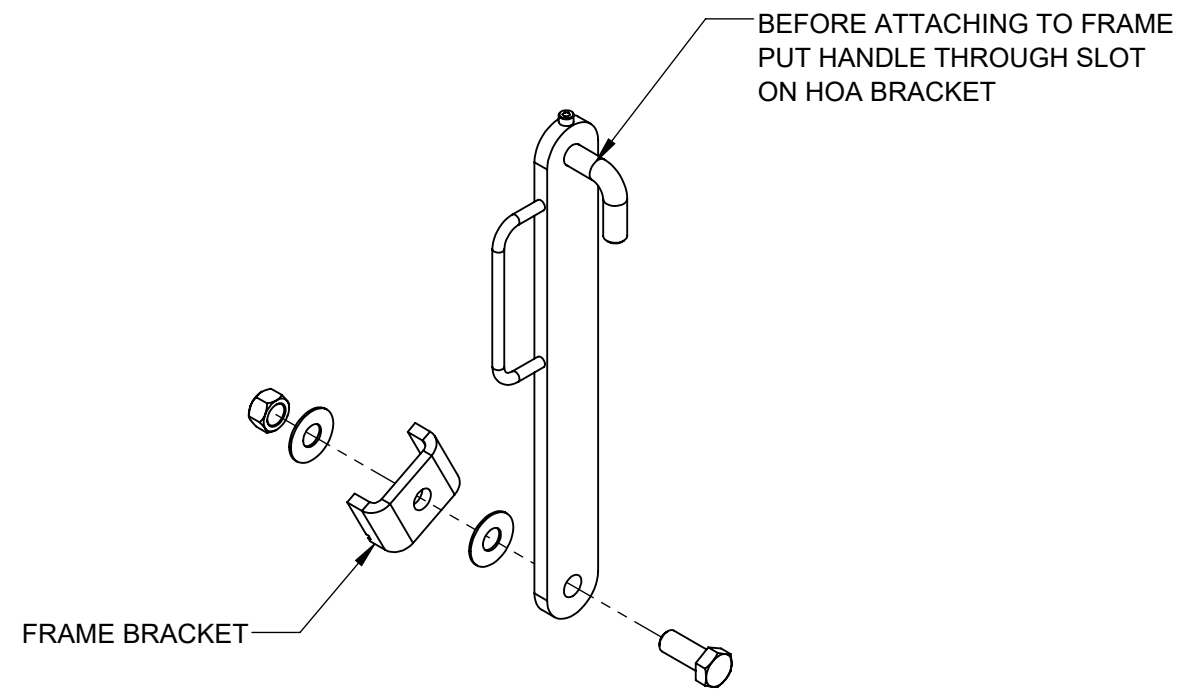
PROPRIETARY AND CONFIDENTIAL: THE INFORMATION CONTAINED IN THIS DRAWING IS THE SOLE PROPERTY OF NYSTROM. ANY REPRODUCTION IN PART OR AS A WHOLE WITHOUT THE WRITTEN PERMISSION OF NYSTROM IS PROHIBITED.



REPLACEMENT PART NUMBER	FACTORY INSTALLED PART NUMBER	DESCRIPTION
FD-KIT-HOA-FDF	-	RETRO, PKG, HOA, SST, FH, FR
-	31413	PKG, HOA, SST, FH, FR




FACTORY INSTALLED VIEW

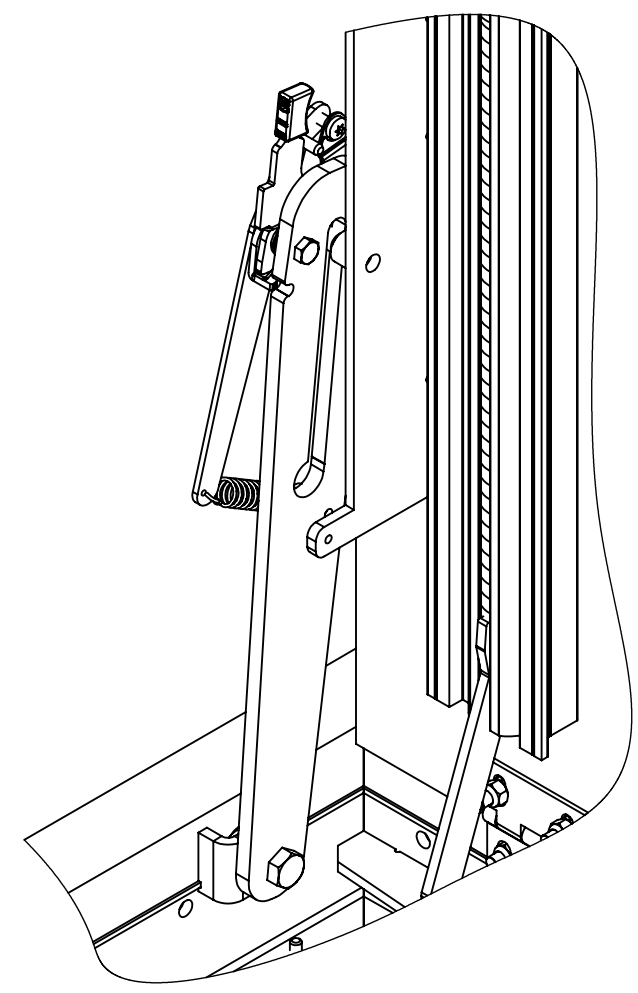


REPLACEMENT PART VIEW

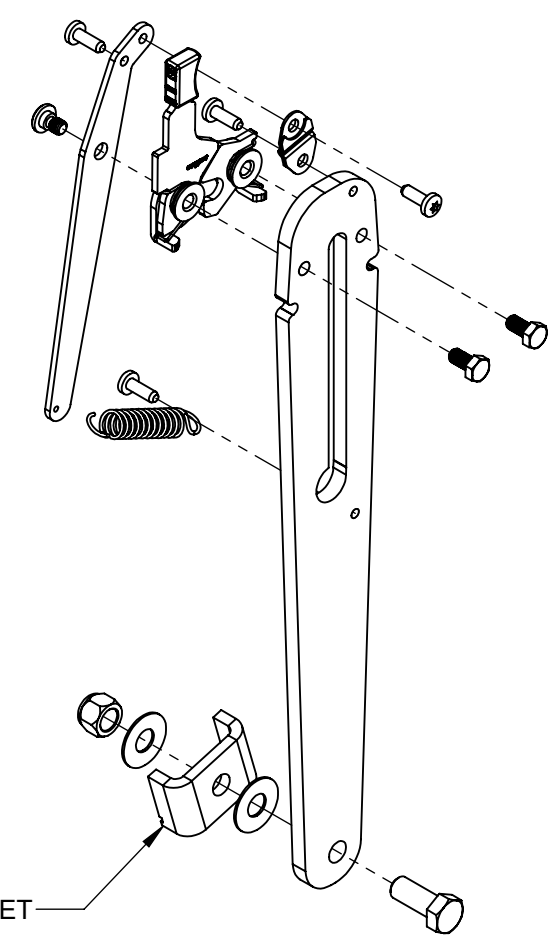
REPLACEMENT HOA

		TITLE: Floor Door, Retro Drawing, Replacement Part Drawing, Fire-Rated Series		
9300 73rd Avenue North Minneapolis, MN 55428		SIZE	DWG. NO.	REV
DRAWN	NAME	DATE	B FD-KIT-RETRO-FDF	
RELEASED	DWO	3/19/2021		
WEIGHT:			SHEET 2 OF 7	

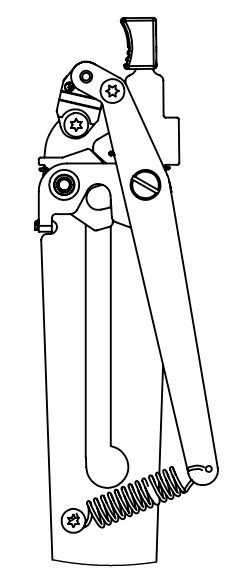
REPLACEMENT PART NUMBER	FACTORY INSTALLED PART NUMBER	DESCRIPTION
FD-KIT-HOA-SCL-FDF		RETRO, PKG, HOA, SC, FD, FR, LEFT
	31393	PKG, HOA, SC, FD, FR, LEFT
FD-KIT-HOA-SCR-FDF	-	RETRO,PKG, HOA, SC, FD, FR, RIGHT
-	31394	PKG, HOA, SC, FD, FR, RIGHT



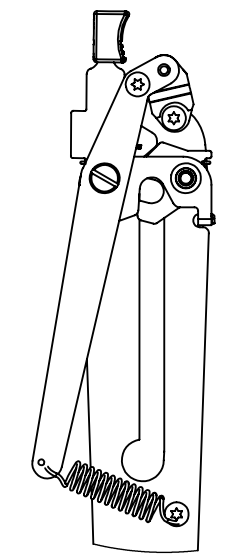
FACTORY INSTALLED VIEW
(LEFT SIDE)



REPLACEMENT PART VIEW
(LEFT SIDE)



LEFT SIDE INSTALL



RIGHT SIDE INSTALL

REPLACEMENT SELF-CLOSING HOA

		TITLE: Floor Door, Retro Drawing, Replacement Part Drawing, Fire-Rated Series	
9300 73rd Avenue North Minneapolis, MN 55428		SIZE DWG. NO.	REV
DRAWN	NAME DATE	B FD-KIT-RETRO-FDF	
RELEASED	DWO 3/19/2021	WEIGHT:	SHEET 3 OF 7

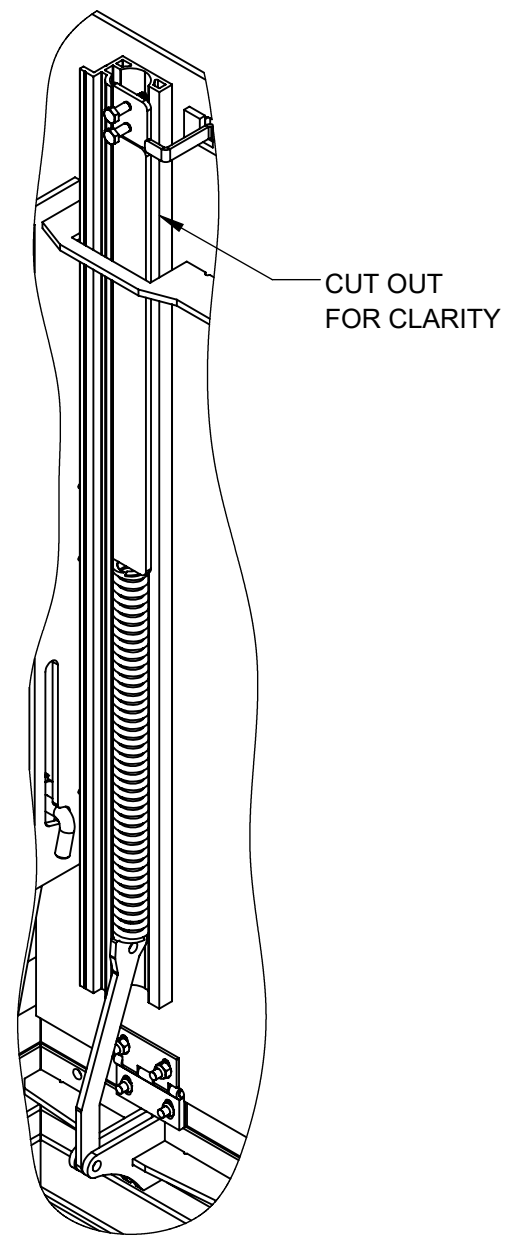
REPLACEMENT PART NUMBER	FACTORY INSTALLED PART NUMBER	DESCRIPTION
FD-KIT-SPRING80-FDF	-	RETRO, PKG, SPRING, 80 LB
-	1858	SPRING, 80 LB
FD-KIT-SPRING40-FDF	-	RETRO, PKG, SPRING, 40 LB
-	1831	SPRING, 40 LB
FD-KIT-SPRINGLINK-FDF	-	RETRO, PKG, SPRING LINK, FDF
-	30757	LINK, SPRING, 316 SST
FD-KIT-SPRINGSTOP18	-	RETRO, PKG, SPRING STOP
-	30792	PLATE, STOP, SPRING, 316 SST

D

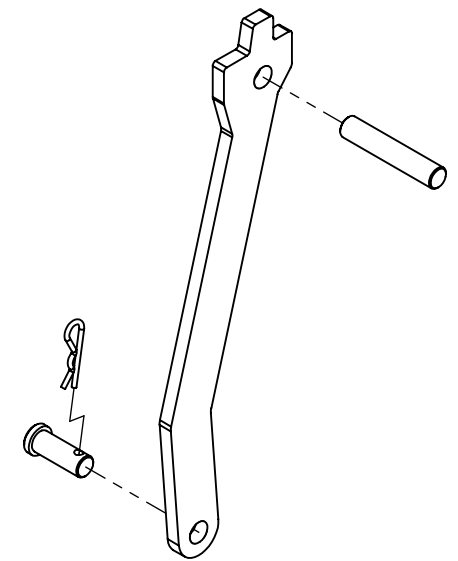
C

B

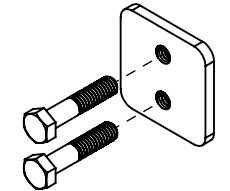
A



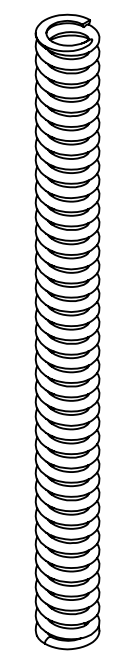
FACTORY INSTALLED VIEW



REPLACEMENT PART VIEW
SPRING LINK



REPLACEMENT PART VIEW
SPRING STOP PLATE



REPLACEMENT PART VIEW
SPRING

REPLACEMENT SPRING

		TITLE: Floor Door, Retro Drawing, Replacement Part Drawing, Fire-Rated Series		
9300 73rd Avenue North Minneapolis, MN 55428		SIZE	DWG. NO.	REV
DRAWN	NAME	DATE	B FD-KIT-RETRO-FDF	
RELEASED	DWO	3/19/2021		
		WEIGHT:	SHEET 4 OF 7	

8 7 6 5 4 3 2 1

8 7 6 5 4 3 2 1

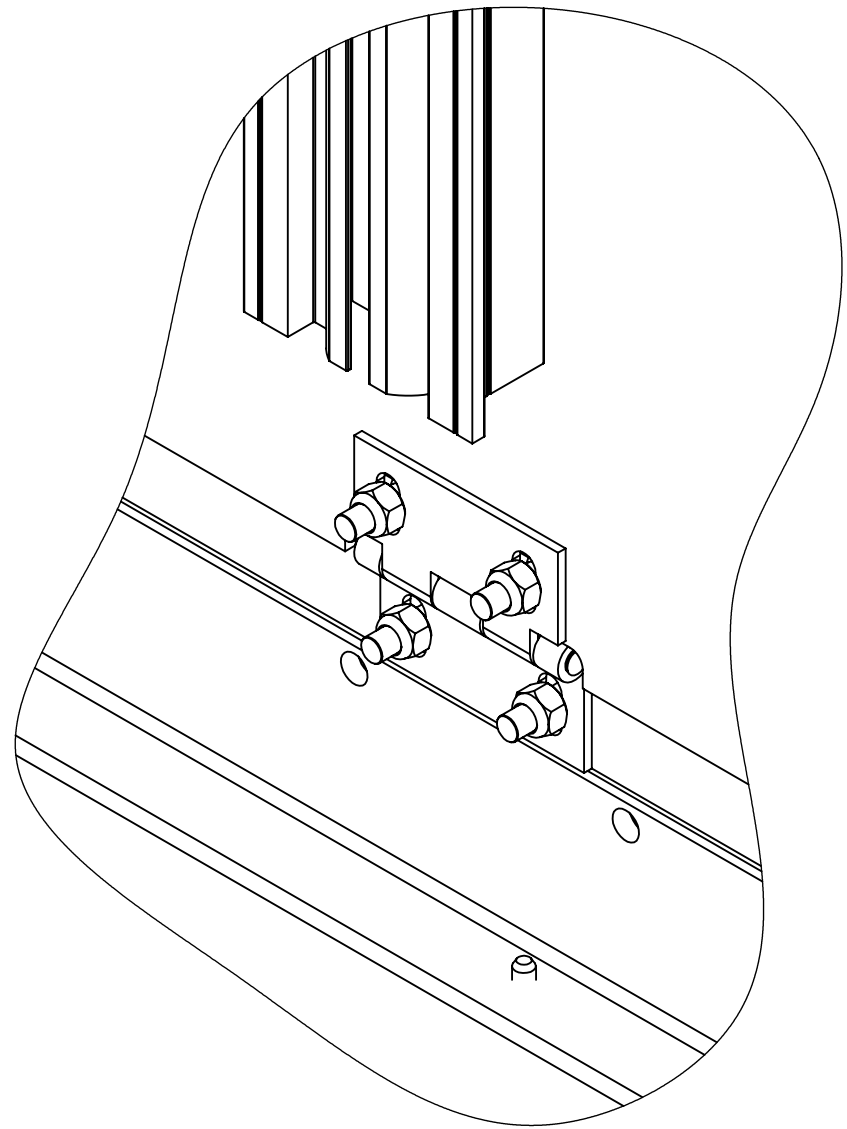
D

C

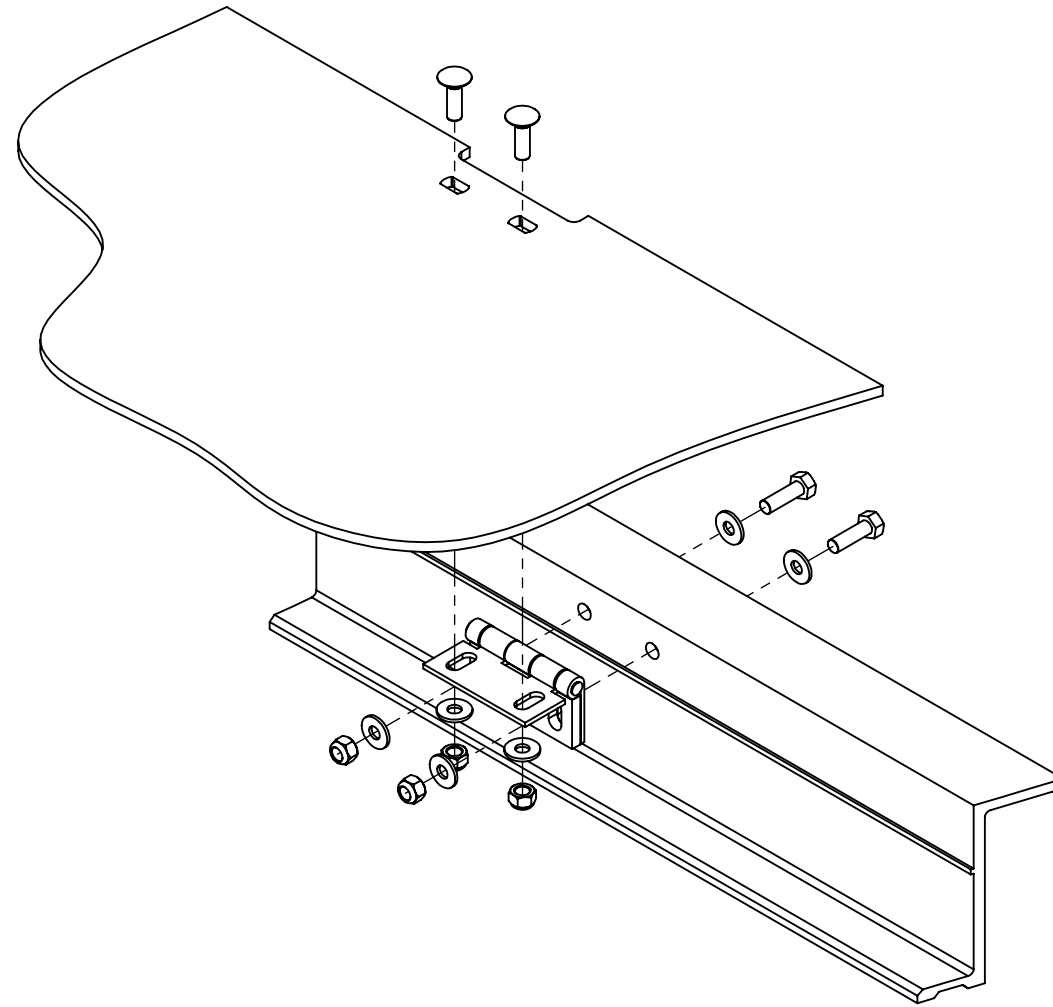
B

A

REPLACEMENT PART NUMBER	FACTORY INSTALLED PART NUMBER	DESCRIPTION
FD-KIT-HINGE	-	RETRO, PKG, HINGE, FD
-	28141	PKG, HINGE, FD



FACTORY INSTALLED VIEW

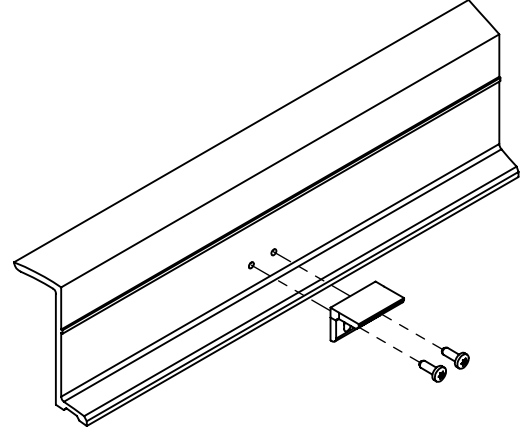


REPLACEMENT PART VIEW

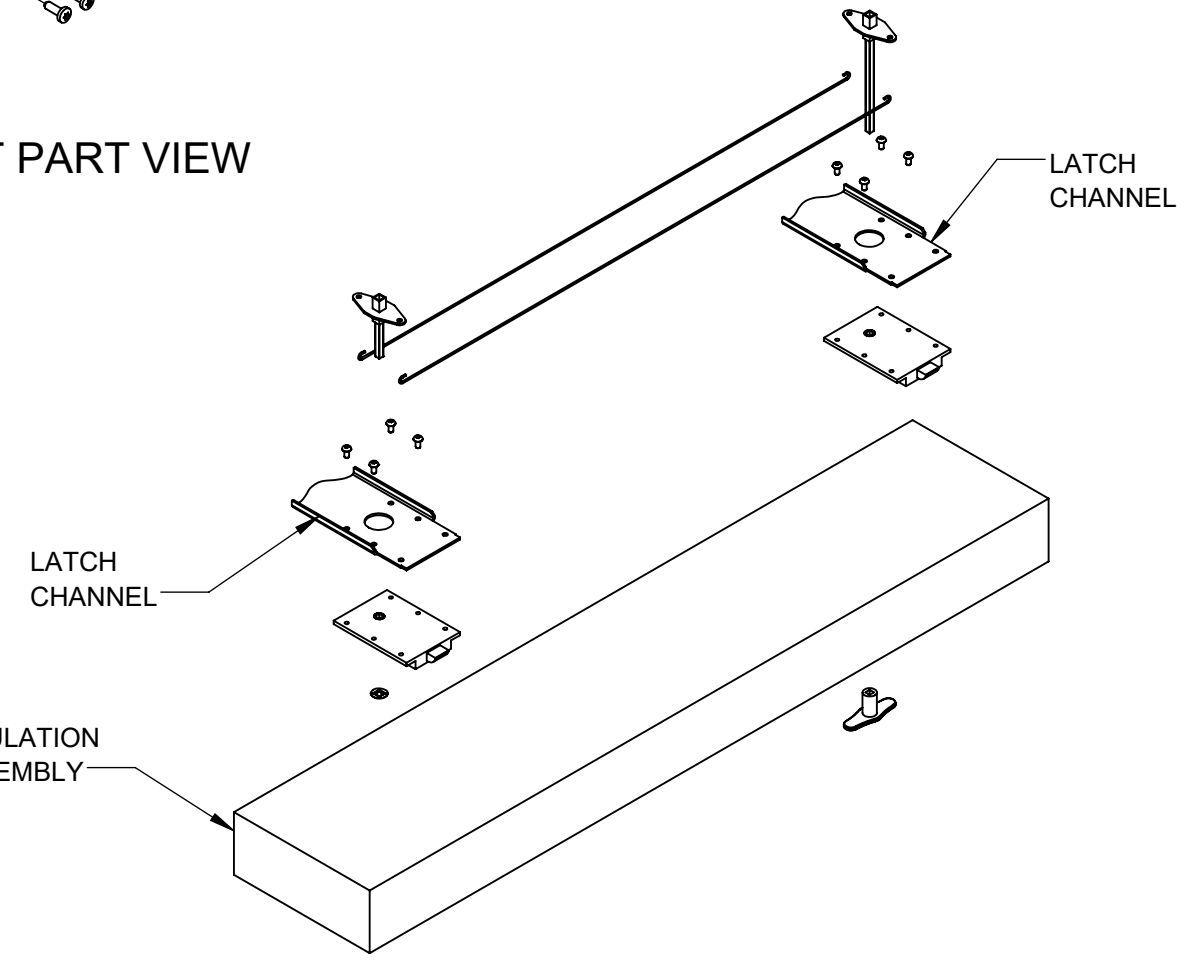
REPLACEMENT HINGE

 9300 73rd Avenue North Minneapolis, MN 55428		TITLE: Floor Door, Retro Drawing, Replacement Part Drawing, Fire-Rated Series		
		SIZE	DWG. NO.	REV
DRAWN	NAME	DATE	B FD-KIT-RETRO-FDF	
RELEASED	DWO	3/19/2021		
WEIGHT:			SHEET 5 OF 7	

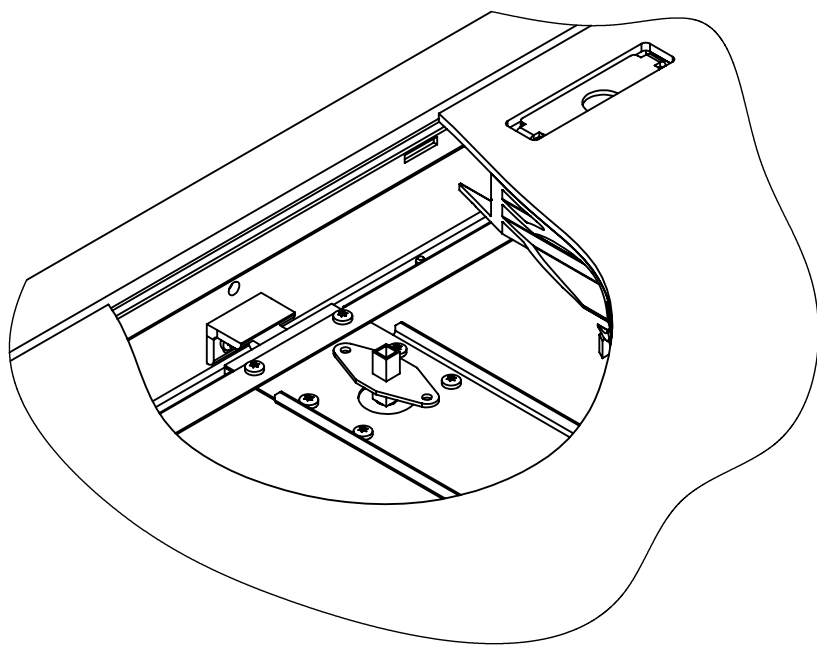
REPLACEMENT PART NUMBER	FACTORY INSTALLED PART NUMBER	DESCRIPTION
FD-KIT-SLAMLATCH2-FDF	-	RETRO, PKG, LATCH, FD, FR 2-HR
-	31414	PKG, LATCH, FD, FR 2-HR
FD-KIT-SLAMLATCH3-FDF	-	RETRO, PKG, LATCH, FD, FR 3-HR
-	31415	PKG, LATCH, FD, FR 3-HR
FD-KIT-2PTLATCH2-FDF	-	RETRO, PKG, 2-PT LATCH, FD, FR 2-HR
-	31416	PKG, 2-PT LATCH, FD, FR 2-HR
FD-KIT-2PTLATCH3-FDF	-	RETRO, PKG, 2-PT LATCH, FD, FR 3-HR
-	31418	PKG, 2-PT LATCH, FD, FR 3-HR
FD-KIT-DOORCATCH-FDF	-	RETRO, PKG, DOOR CATCH, FD, FR
-	31308	PKG, DOOR CATCH, FD, FR



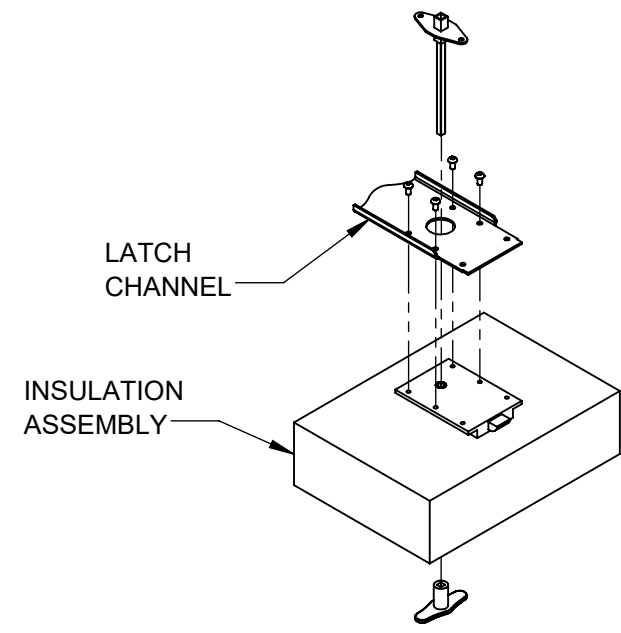
REPLACEMENT PART VIEW
DOOR CATCH



REPLACEMENT PART VIEW
2-POINT LATCH



FACTORY INSTALLED VIEW



REPLACEMENT PART VIEW
SINGLE POINT LATCH

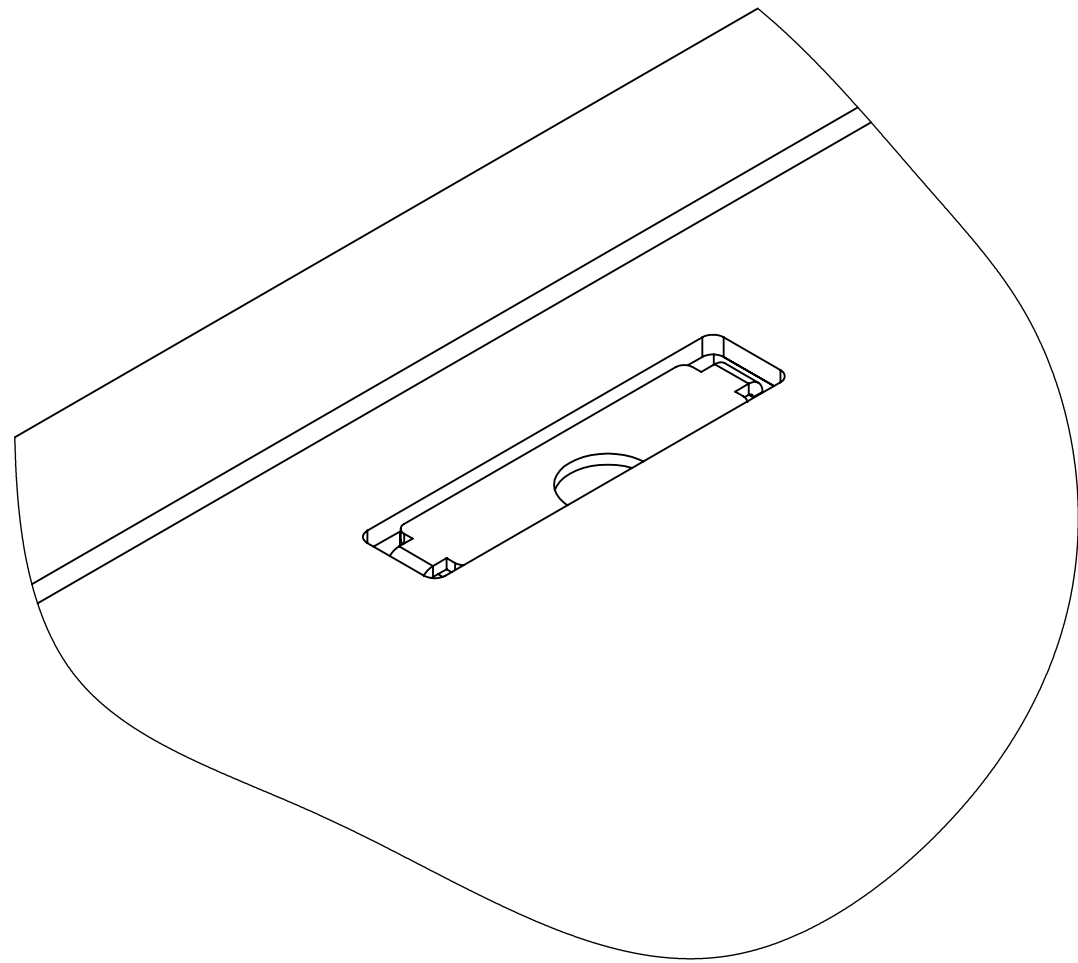
REPLACEMENT SLAM LATCH

nystrom
9300 73rd Avenue North
Minneapolis, MN 55428

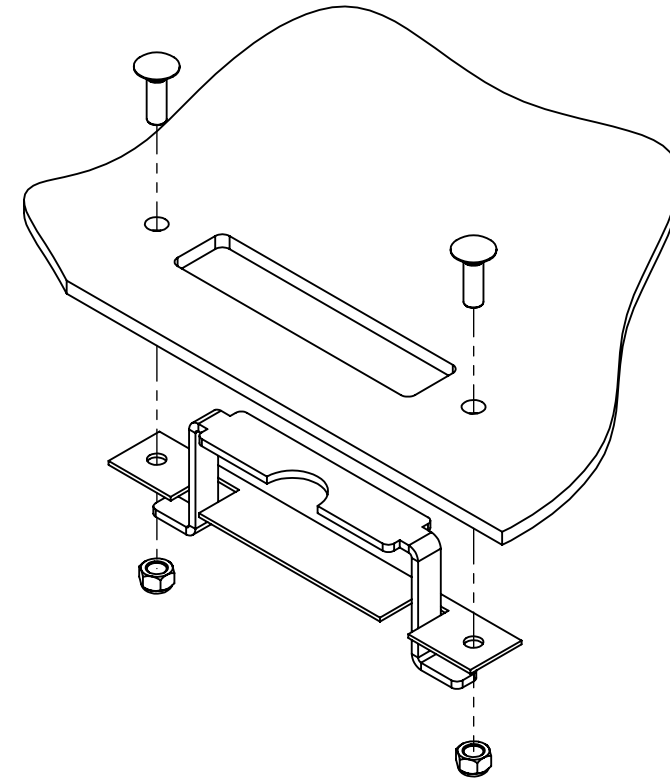
TITLE: Floor Door, Retro Drawing, Replacement Part Drawing, Fire-Rated Series

NAME	DATE	SIZE	DWG. NO.	REV
DRAWN	1/07/21	B	FD-KIT-RETRO-FDF	
RELEASED	DWO 3/19/2021	WEIGHT:	SHEET 6 OF 7	

REPLACEMENT PART NUMBER	FACTORY INSTALLED PART NUMBER	DESCRIPTION
FD-KIT-LIFTHANDLE	-	RETRO, PKG, LIFT HANDLE, SST
-	28162	PKG, LIFT HANDLE, ALUM



FACTORY INSTALLED VIEW



REPLACEMENT PART VIEW

REPLACEMENT HINGE

		TITLE: Floor Door, Retro Drawing, Replacement Part Drawing, Fire-Rated Series		
9300 73rd Avenue North Minneapolis, MN 55428		NAME	DATE	SIZE DWG. NO.
DRAWN			1/07/21	B FD-KIT-RETRO-FDF
RELEASED	DWO		3/19/2021	WEIGHT: SHEET 7 OF 7