

SPECIFICATIONS:

- ① **DOOR:** ALUMINUM, 1/4" DIAMOND PLATE, MILL FINISH WITH A H20 LOAD RATING FOR INFREQUENT LOW SPEED TRAFFIC WITH A MAXIMUM DEFLECTION OF L/160
- ② **FRAME:** ALUMINUM, 1/4" EXTRUSION, EPOXY PAINT FINISH ON EXTERIOR SURFACES THAT COME IN CONTACT WITH CONCRETE
- ③ **HINGES:** TYPE 316 STAINLESS STEEL
- ④ **SLAM LATCH:** TYPE 316 STAINLESS STEEL WITH INSIDE LEVER HANDLE AND OUTSIDE REMOVABLE 5/16" SQUARE L HANDLE
- ⑤ **COUNTER-BALANCE SPRING:** TYPE 17-7 STAINLESS STEEL SPRING ENCLOSED IN A TYPE 316 STAINLESS STEEL TELESCOPING TUBE
- ⑥ **HOLD-OPEN ARM:** TYPE 316 STAINLESS STEEL
- ⑦ **ANCHOR:** 4" CONCRETE ANCHOR STRAPS PROVIDED


- ⑧ **FLUSH LIFTING HANDLE:** TYPE 316 STAINLESS STEEL
- ⑨ **DRAINAGE COUPLING:** 1-1/2", FOR CONNECTION TO RUN OFF
- ⑩ **FLUSH TYPE PLUG SEAL:** TYPE 316 STAINLESS STEEL
- ⑪ **BUMPER GASKET:** RUBBER, AROUND ENTIRE PERIMETER

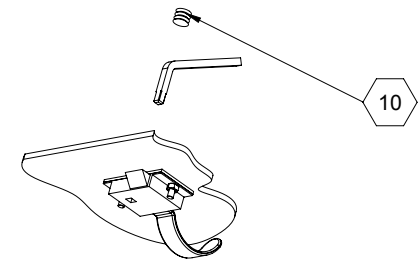
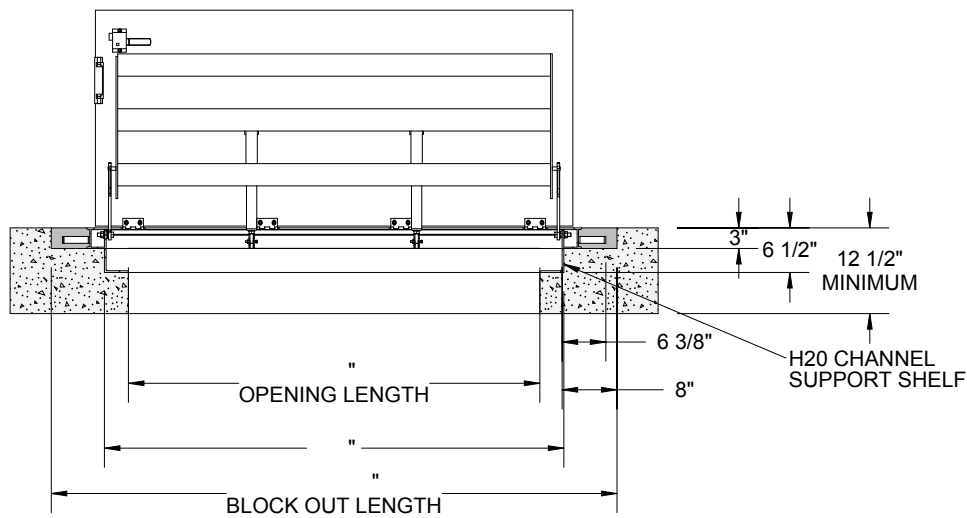
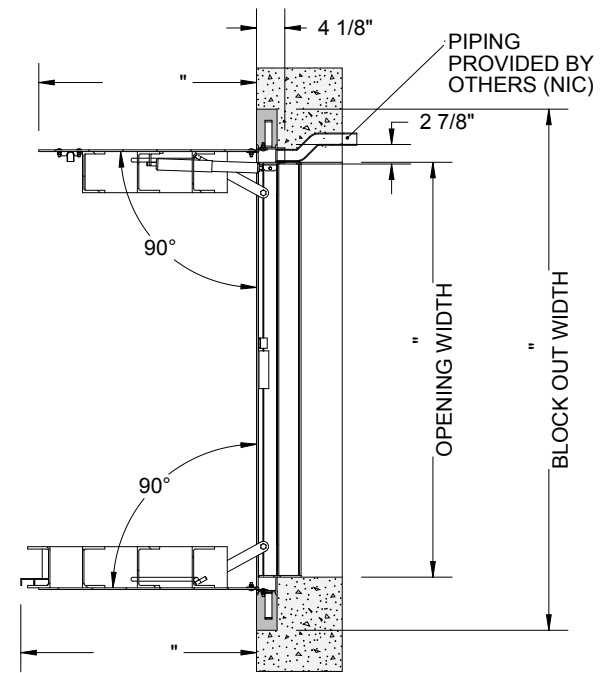
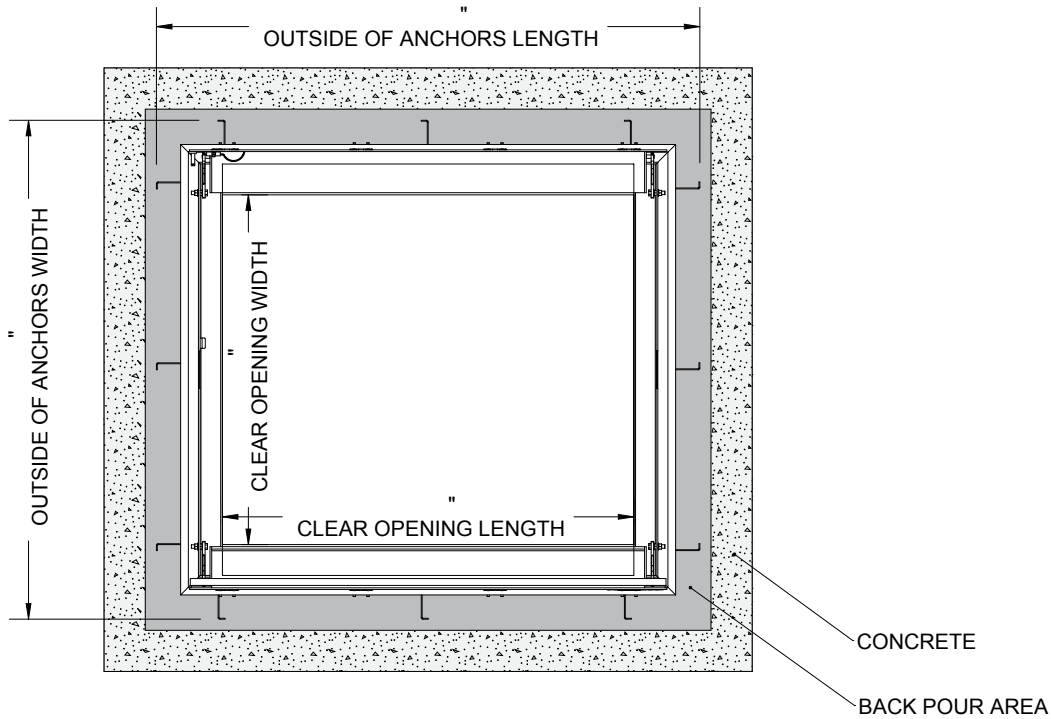
FLOOR DOOR SIZE:
 " (WIDTH) x " (LENGTH)

CLEAR UNOBSTRUCTED OPENING:
 " (WIDTH) x " (LENGTH)

OPENING:
 " (WIDTH) x " (LENGTH)

PROPRIETARY AND CONFIDENTIAL: THE INFORMATION CONTAINED IN THIS DRAWING IS THE SOLE PROPERTY OF NYSTROM. ANY REPRODUCTION IN PART OR AS A WHOLE WITHOUT THE WRITTEN PERMISSION OF NYSTROM IS PROHIBITED. THIS IS A GENERIC SHOP DRAWING AND MAY NOT BE AN ACTUAL REPRESENTATION OF THE FINAL PRODUCT.

PROJECT:			
ARCHITECT:			
CONTRACTOR:			
QTY:			
PART#:		FDDHA X DAL	
		TITLE: Floor Door, Drainable Series, Dbl Dr, 316 SST Hdw, Alum, Mill, H20, Cast-In Anchors, Slam Latch Removbl L Hdl	
9300 73rd Avenue North Minneapolis, MN 55428			
NAME	DATE	SIZE	DWG. NO.
DRAWN JE	04/18/11	A	FDDHA_X_DAL
RELEASED DWO	04/18/11	WEIGHT: Varies	
			REV A
			SHEET 1 OF 2



nystrom				TITLE: Floor Door, Drainable Series, Dbl Dr, 316 SST Hdw, Alum, Mill, H2O, Cast-In Anchors, Slam Latch Removbl L Hdl	
9300 73rd Avenue North Minneapolis, MN 55428					
NAME	DATE	SIZE	DWG. NO.	REV	
JE	04/18/11	A	FDDHA_X_DAL	A	
RELEASED	DWO	04/18/11	WEIGHT: Varies	SHEET 2 OF 2	

PROPRIETARY AND CONFIDENTIAL: THE INFORMATION CONTAINED IN THIS DRAWING IS THE SOLE PROPERTY OF NYSTROM. ANY REPRODUCTION IN PART OR AS A WHOLE WITHOUT THE WRITTEN PERMISSION OF NYSTROM IS PROHIBITED. THIS IS A GENERIC SHOP DRAWING AND MAY NOT BE AN ACTUAL REPRESENTATION OF THE FINAL PRODUCT.