


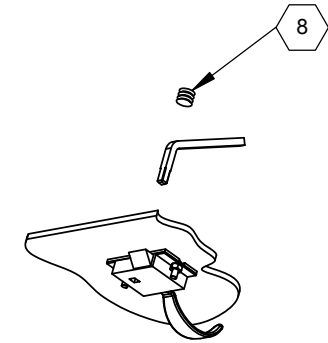
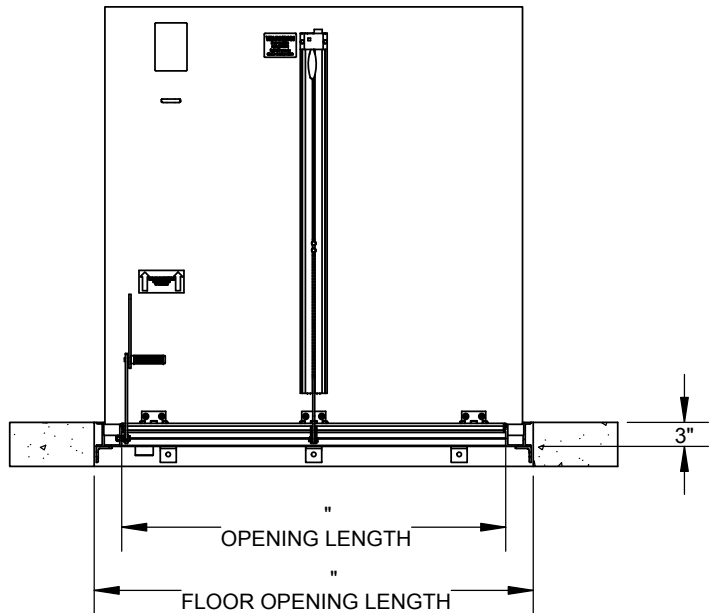
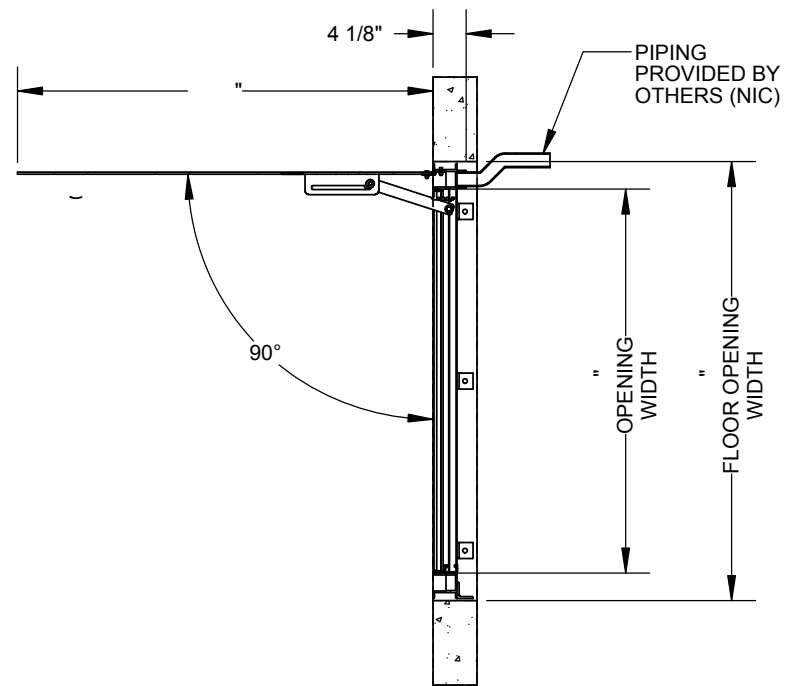
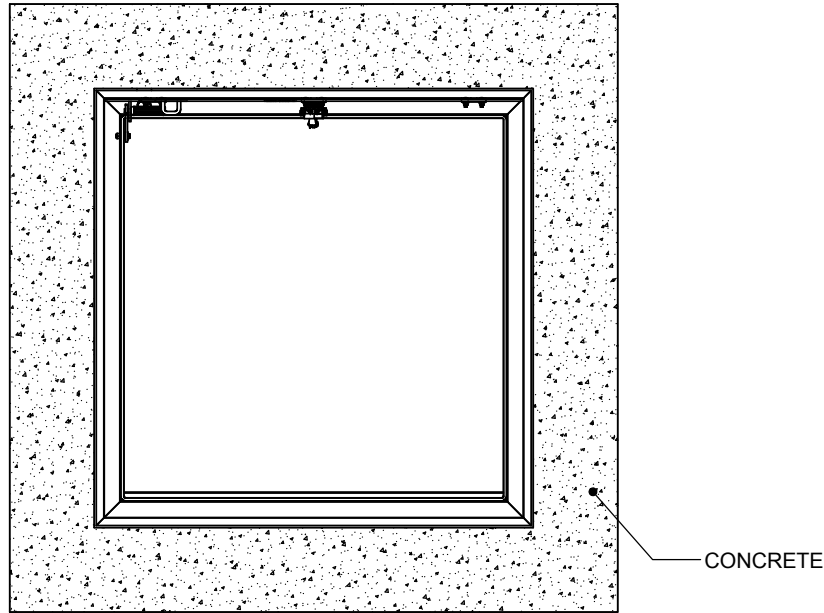
**SPECIFICATIONS:**

- ① **DOOR:**  
ALUMINUM 1/4" DIAMOND PLATE, MILL FINISH WITH A LIVE LOAD OF 300PSF AND MAX SPAN DEFLECTION OF L/150
- ② **FRAME:**  
ALUMINUM, 1/4" EXTRUSION, GRAY PRIMER FINISH ON EXTERIOR SURFACES THAT COME INTO CONTACT WITH CONCRETE
- ③ **HINGES:** TYPE 316 STAINLESS STEEL
- ④ **SLAM LATCH:**  
TYPE 316 STAINLESS STEEL WITH INSIDE LEVER HANDLE AND OUTSIDE REMOVABLE HANDLE
- ⑤ **COUNTER-BALANCE SPRING:**  
ENCLOSED, TYPE 17-7 SST SPRING
- ⑥ **HOLD-OPEN ARM:**  
TYPE 316 STAINLESS STEEL WITH RED VINYL GRIP HANDLE

- ⑦ **DRAINAGE COUPLING:** 1-1/2", FOR CONNECTION TO RUN
- ⑧ **FLUSH TYPE PLUG SEAL:** TYPE 316 STAINLESS STEEL
- ⑨ **GASKET:** EPDM AIR TIGHT GASKET
- ⑩ **ANCHOR:** ANGLE TABS WITH  $\phi$  1/2" MNTG HOLES PROVIDED

PROPRIETARY AND CONFIDENTIAL: THE INFORMATION CONTAINED IN THIS DRAWING IS THE SOLE PROPERTY OF NYSTROM. ANY REPRODUCTION IN PART OR AS A WHOLE WITHOUT THE WRITTEN PERMISSION OF NYSTROM IS PROHIBITED. THIS SHOP DRAWING MAY NOT BE AN ACTUAL REPRESENTATION OF THE FINAL PRODUCT.

PROJECT:				
ARCHITECT:				
CONTRACTOR:				
QTY:				
PART#:				
		TITLE: FD, Drainable, 300 PSF, Sngl Dr, Alum, Mill, Gray Primer, Bolt-In, SST Spring Asst, 316 SST Hdw, Odor Gasket, Slam Latch W/Hdl		
		9300 73rd Avenue North, Minneapolis, MN 55428		
NAME	DATE	SIZE	DWG. NO.	REV
DRAWN JPB	4/19/18	A	Nystrom FD FDDPA_X_SFL-BI ShpDr	A
RELEASED TR	4/19/18	WEIGHT: 167.92		SHEET 1 OF 2



**SLAM LATCH DETAIL**

<b>nystrom</b> <sup>®</sup>				TITLE: FD, Drainable, 300 PSF, Sngl Dr, Alum, Mill, Gray Primer, Bolt-In, SST Spring Asst, 316 SST Hdw, Odor Gasket, Slam Latch W/Hdl	
9300 73rd Avenue North Minneapolis, MN 55428				DWG. NO.	REV
DRAWN	NAME	DATE	SIZE	Nystrom FD FDDPA_X_SFL-BI ShpDr	A
RELEASED	TR	4/19/18	A		
WEIGHT:				SHEET 2 OF 2	

PROPRIETARY AND CONFIDENTIAL: THE INFORMATION CONTAINED IN THIS DRAWING IS THE SOLE PROPERTY OF NYSTROM. ANY REPRODUCTION IN PART OR AS A WHOLE WITHOUT THE WRITTEN PERMISSION OF NYSTROM IS PROHIBITED.