

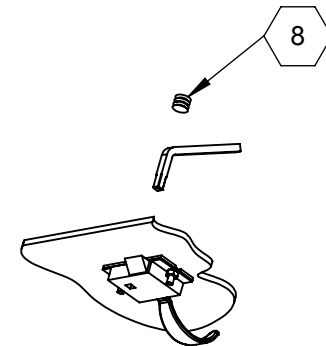
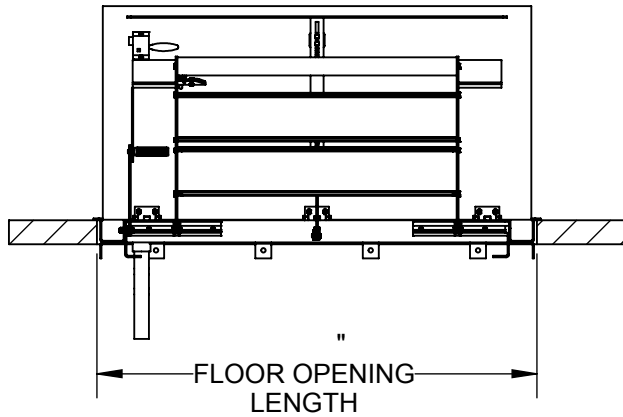
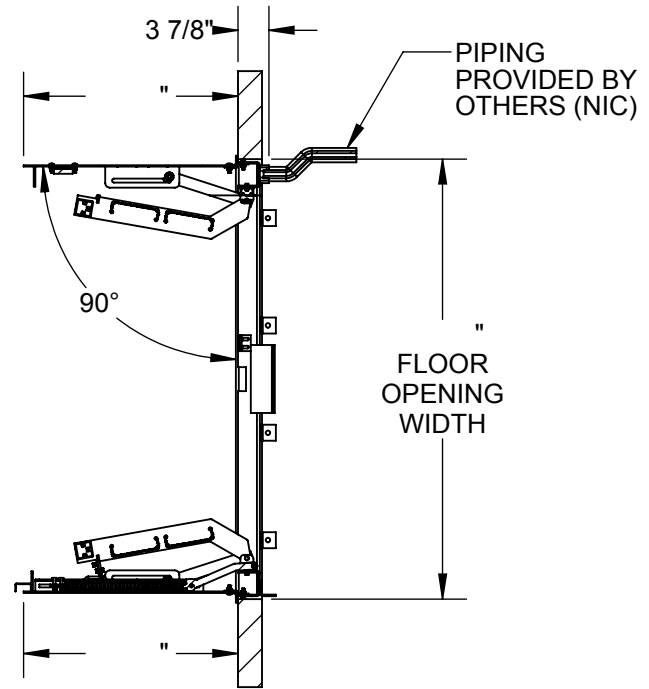
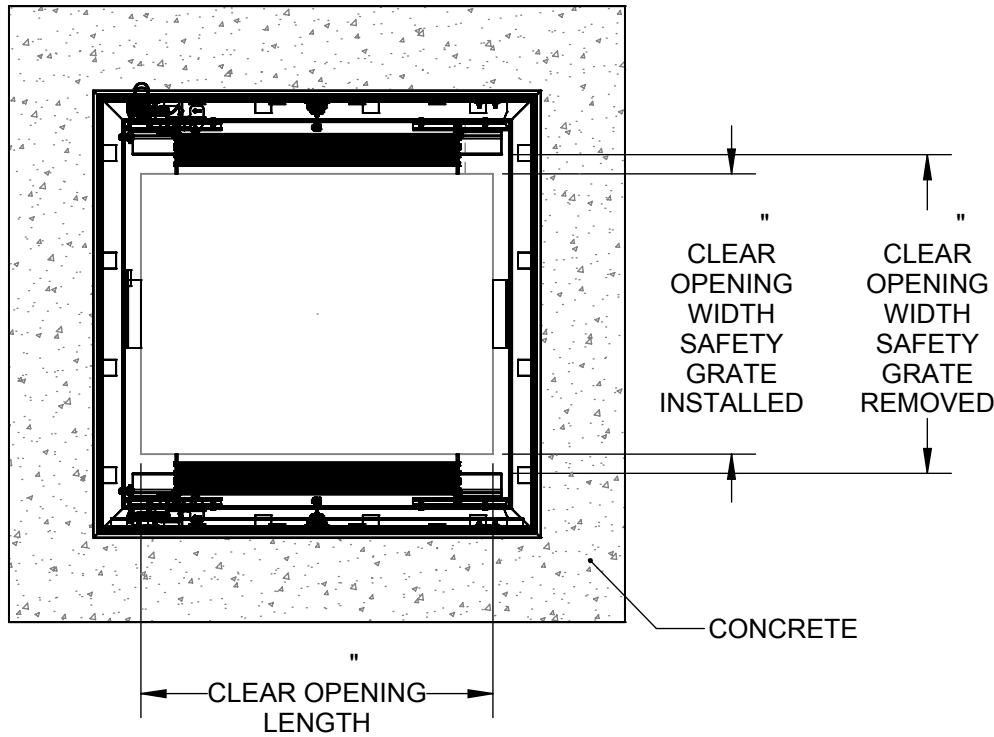
SPECIFICATIONS:

- ① **DOOR:**
STEEL 3/16" DIAMOND PLATE, GRAY PRIMER FINISH WITH A LIVE LOAD OF 300 PSF WITH A MAX SPAN DEFLECTION OF 1/150
- ② **FRAME:**
STEEL 3/16" FORMED SMOOTH PLATE, GRAY PRIMER FINISH
- ③ **HINGES:** TYPE 316 STAINLESS STEEL
- ④ **SLAM LATCH:**
TYPE 316 STAINLESS STEEL WITH INSIDE LEVER HANDLE AND OUTSIDE REMOVABLE HANDLE
- ⑤ **COUNTER-BALANCE SPRING:**
ENCLOSED, TYPE 17-7 SST SPRING
- ⑥ **HOLD-OPEN ARM:**
TYPE 316 STAINLESS STEEL WITH RED VINYL GRIP HANDLE

- ⑦ **DRAINAGE COUPLING:** 1-1/2"
- ⑧ **FLUSH TYPE PLUG SEAL:** TYPE 316 STAINLESS STEEL
- ⑨ **SAFETY GRATE:**
ALUMINUM, 6" SERRATED RAILS WITH SAFETY ORANGE POWDER COAT, LIVE LOAD OF 300PSF, SST HINGES AND INTEGRAL PADLOCK HASP
- ⑩ **NUT-RAIL:** ALUMINUM NUT-RAIL ON HINGE SIDES
- ⑪ **ANCHOR:** 3/8" HOLE PROVIDED FOR BOLT IN ON SITE, ANCHORS PROVIDED BY OTHERS

FLOOR DOOR SIZE:

PROJECT:				
ARCHITECT:				
CONTRACTOR:				
QTY:				
PART#:				
nystrom 9300 73rd Avenue North, Minneapolis, MN 55428	TITLE: Floor Door, Drainable Series, Dbl Dr, 316 SST Hdw, Steel, Prime Coat, Pedestrian, Bolt-In, Slam Latch Removbl L Hdl,			
NAME	DATE	SIZE	DWG. NO.	REV
DRAWN BES	12/4/2018	A	Nystrom FD FDDPP_X_DWL-BI-SGT ShpDr	A
RELEASED BES	12/4/2018	WEIGHT:		SHEET 1 OF 2



SLAM LATCH DETAIL

			TITLE: Floor Door, Drainable Series, Dbl Dr, 316 SST Hdw, Steel, Prime Coat, Pedestrian, Bolt-In, Slam Latch Removbl L Hdl,		
9300 73rd Avenue North Minneapolis, MN 55428			SIZE	DWG. NO.	REV
DRAWN	BES	12/4/2018	A	Nystrom FD FDDPP_X_DWL-BI-SGT ShpDr	A
RELEASED	BES	12/4/2018	WEIGHT:	SHEET 2 OF 2	