

**SPECIFICATIONS:**

- ① **DOOR:**  
STEEL 3/16" DIAMOND PLATE, GRAY PRIMER FINISH WITH A LIVE LOAD OF 300 PSF WITH A MAX SPAN DEFLECTION OF 1/150
- ② **FRAME:**  
STEEL 3/16" FORMED SMOOTH PLATE, GRAY PRIMER FINISH
- ③ **HINGES:** TYPE 316 STAINLESS STEEL
- ④ **SLAM LATCH:**  
TYPE 316 STAINLESS STEEL WITH INSIDE LEVER HANDLE AND OUTSIDE REMOVABLE HANDLE
- ⑤ **COUNTER-BALANCE SPRING:**  
ENCLOSED, TYPE 17-7 SST SPRING
- ⑥ **HOLD-OPEN ARM:**  
TYPE 316 STAINLESS STEEL WITH RED VINYL GRIP HANDLE

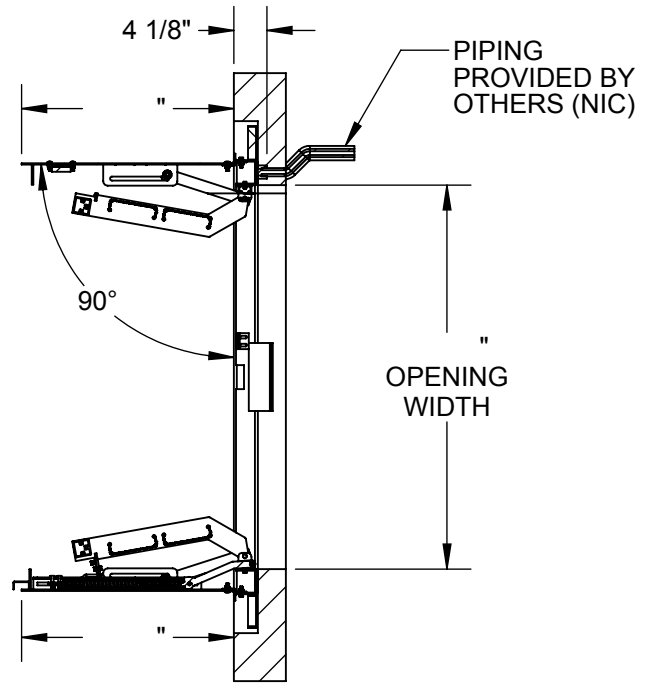
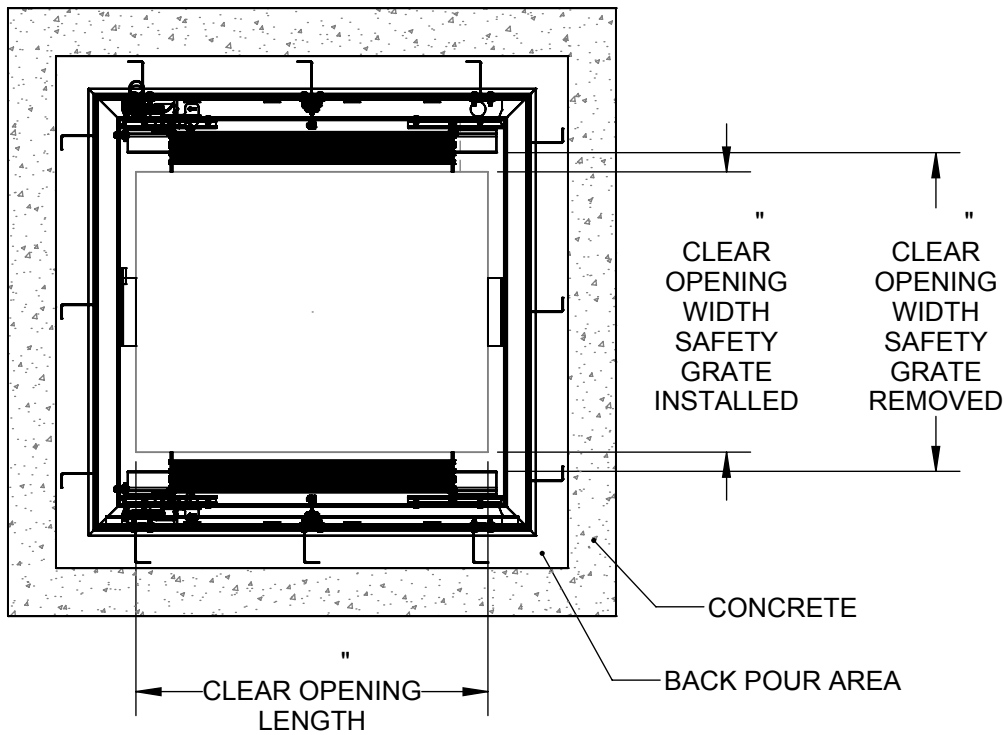
- ⑦ **DRAINAGE COUPLING:** 1-1/2"
- ⑧ **FLUSH TYPE PLUG SEAL:** TYPE 316 STAINLESS STEEL
- ⑨ **SAFETY GRATE:**  
ALUMINUM, 6" SERRATED RAILS WITH SAFETY ORANGE POWDER COAT, LIVE LOAD OF 300PSF, SST HINGES AND INTEGRAL PADLOCK HASP
- ⑩ **NUT-RAIL:** ALUMINUM NUT-RAIL ON HINGE SIDES
- ⑪ **ANCHOR:** 4" CONCRETE ANCHOR STRAPS

FLOOR DOOR SIZE:

PROJECT:				
ARCHITECT:				
CONTRACTOR:				
QTY:				
PART#:				
<b>nystrom</b> 9300 73rd Avenue North, Minneapolis, MN 55428	<b>TITLE:</b> Floor Door, Drainable Series, Dbl Dr, 316 SST Hdw, Steel, Prime Coat, Pedestrian, Cast-In Anchors, Slam Latch Removbl L Hdl,			
NAME	DATE	SIZE	DWG. NO.	REV
DRAWN BES	12/4/2018	A	Nystrom FD FDDPP_X_DWL-SGT ShpDr	A
RELEASED BES	12/4/2018	WEIGHT:		SHEET 1 OF 2

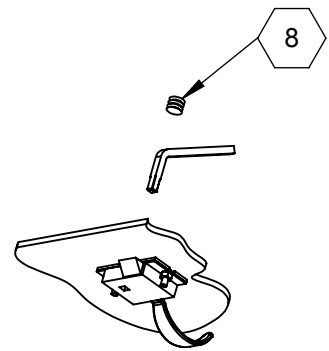
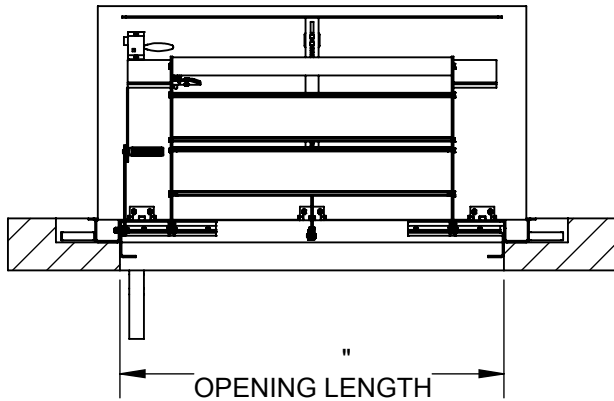
B

B



A

A



**SLAM LATCH DETAIL**

			<b>TITLE:</b> Floor Door, Drainable Series, Dbl Dr. 316 SST Hdw, Steel, Prime Coat, Pedestrian, Cast-In Anchors, Slam Latch Removbl L Hdl,		
9300 73rd Avenue North Minneapolis, MN 55428			<b>SIZE</b> DWG. NO. <b>REV</b>		
<b>DRAWN</b>	BES	12/4/2018	A	Nystrom FD FDDPP_X_DWL-SGT ShpDr	
<b>RELEASED</b>	BES	12/4/2018	<b>WEIGHT:</b>		<b>SHEET 2 OF 2</b>

PROPRIETARY AND CONFIDENTIAL: THE INFORMATION CONTAINED IN THIS DRAWING IS THE SOLE PROPERTY OF NYSTROM. ANY REPRODUCTION IN PART OR AS A WHOLE WITHOUT THE WRITTEN PERMISSION OF NYSTROM IS PROHIBITED.