


**SPECIFICATIONS:**

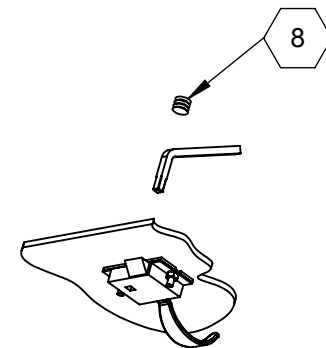
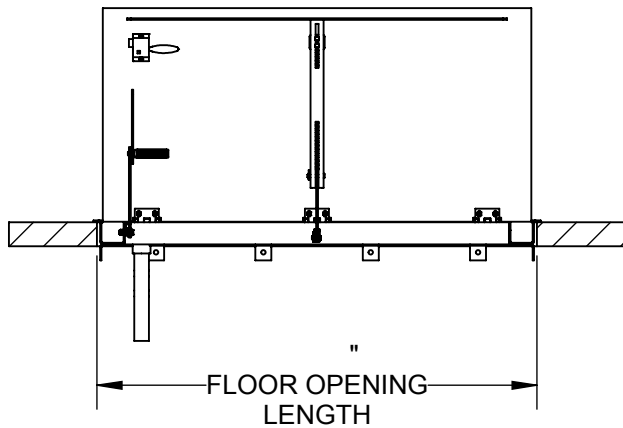
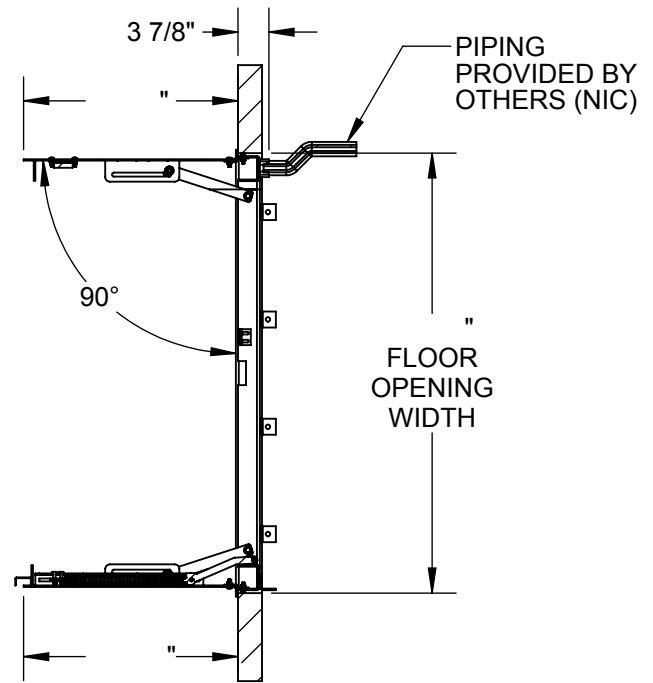
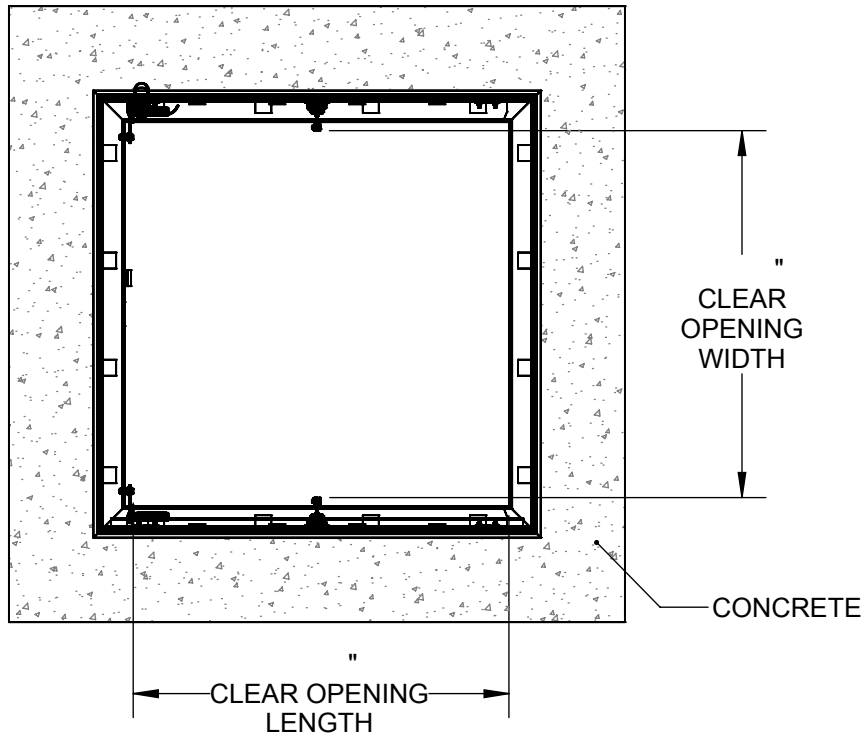
- ① **DOOR:**  
304 SST, 3/16" DIAMOND PLATE, BEAD BLAST FINISH WITH A LIVE LOAD OF 300 PSF WITH A MAX SPAN DEFLECTION OF 1/150
- ② **FRAME:**  
304 SST, 3/16" FORMED SMOOTH PLATE, BEAD BLAST FINISH
- ③ **HINGES:** TYPE 316 STAINLESS STEEL
- ④ **SLAM LATCH:**  
TYPE 316 STAINLESS STEEL WITH INSIDE LEVER HANDLE AND OUTSIDE REMOVABLE HANDLE
- ⑤ **COUNTER-BALANCE SPRING:**  
ENCLOSED, TYPE 17-7 SST SPRING
- ⑥ **HOLD-OPEN ARM:**  
TYPE 316 STAINLESS STEEL WITH RED VINYL GRIP HANDLE

- ⑦ **DRAINAGE COUPLING:** 1-1/2"
- ⑧ **FLUSH TYPE PLUG SEAL:** TYPE 316 STAINLESS STEEL
- ⑨ **ANCHOR:** 3/8" HOLES PROVIDED FOR BOLT IN ON SITE, ANCHORS PROVIDED BY OTHERS

FLOOR DOOR SIZE:

PROPRIETARY AND CONFIDENTIAL: THE INFORMATION CONTAINED IN THIS DRAWING IS THE SOLE PROPERTY OF NYSTROM. ANY REPRODUCTION IN PART OR AS A WHOLE WITHOUT THE WRITTEN PERMISSION OF NYSTROM IS PROHIBITED.

PROJECT:				
ARCHITECT:				
CONTRACTOR:				
QTY:				
PART#:				
 9300 73rd Avenue North, Minneapolis, MN 55428		TITLE: Floor Door, Drainable Series, Dbl Dr. 316 SST Hdw, 304 SST, Bead Blast, Pedestrian, Bolt-In, Slam Latch Removbl L Hdl,		
		DWG. NO. Nystrom FD FDDPS_X_DWL-BI ShpDr		
NAME	DATE	SIZE	DWG. NO.	REV
DRAWN BES	12/4/2018	A	Nystrom FD FDDPS_X_DWL-BI ShpDr	A
RELEASED	BES	12/4/2018	WEIGHT:	SHEET 1 OF 2



**SLAM LATCH DETAIL**

			<b>TITLE:</b> Floor Door, Drainable Series, Dbl Dr. 316 SST Hdw, 304 SST, Bead Blast, Pedestrian, Bolt-In, Slam Latch Removbl L Hdl,		
9300 73rd Avenue North Minneapolis, MN 55428			<b>SIZE</b> DWG. NO. <b>REV</b> A Nystrom FD FDDPS_X_DWL-BI ShpDr A		
<b>DRAWN</b>	BES	12/4/2018	<b>RELEASED</b>	BES	12/4/2018
<b>WEIGHT:</b>			<b>SHEET 2 OF 2</b>		