


**SPECIFICATIONS:**

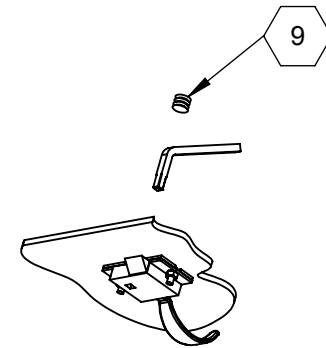
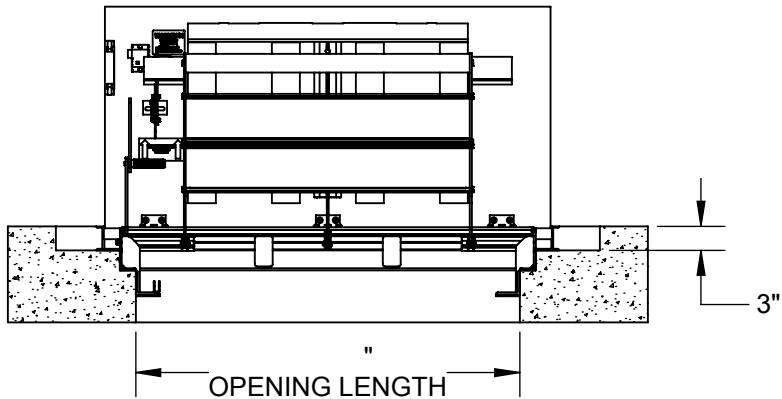
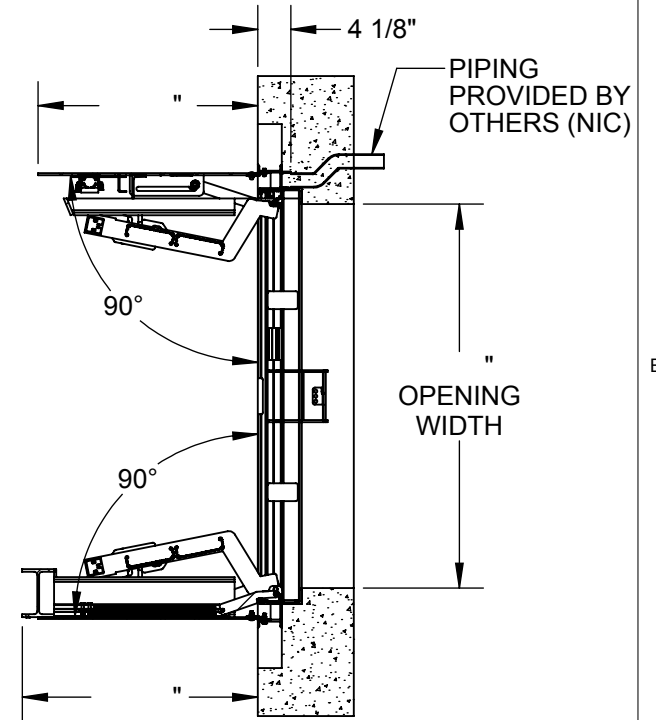
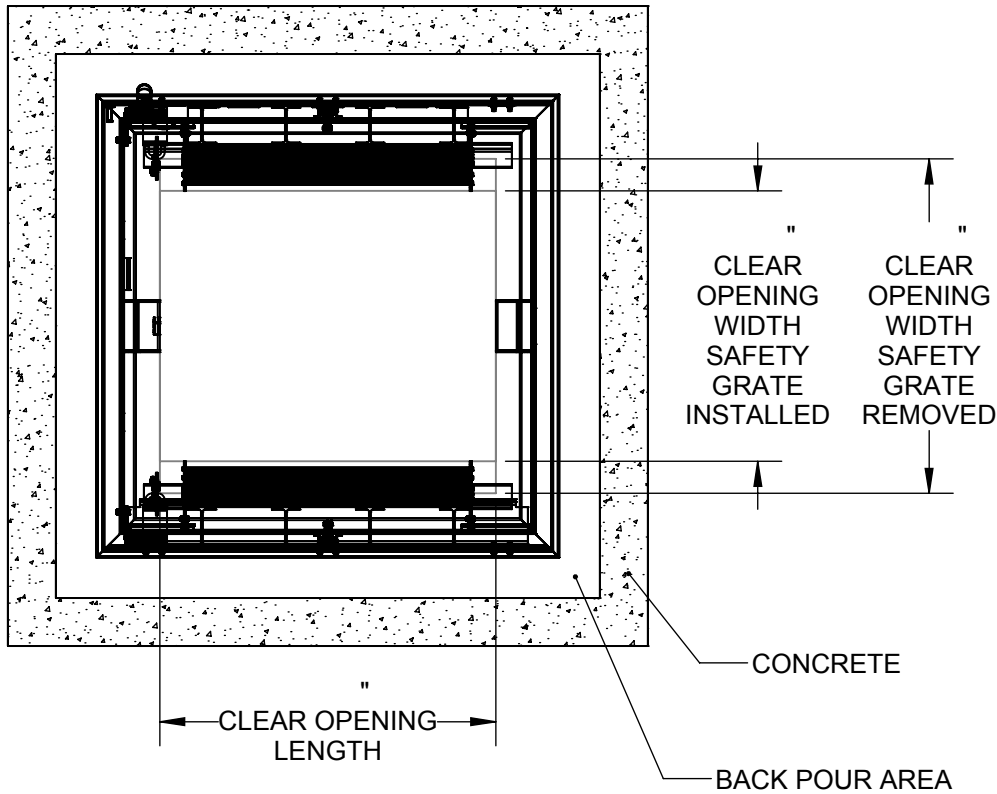
- ① **DOOR:**  
ALUMINUM 1/4" DIAMOND PLATE, MILL FINISH WITH AN HS20 LOAD RATING FOR INFREQUENT LOW SPEED TRAFFIC WITH A MAX SPAN DEFLECTION OF 1/150
- ② **FRAME:**  
ALUMINUM, 1/4" EXTRUSION, GRAY PRIMER FINISH ON EXTERIOR SURFACES THAT COME INTO CONTACT WITH CONCRETE
- ③ **HINGES:** TYPE 316 STAINLESS STEEL
- ④ **SLAM LATCH:**  
TYPE 316 STAINLESS STEEL WITH INSIDE LEVER HANDLE AND OUTSIDE REMOVABLE HANDLE
- ⑤ **COUNTER-BALANCE SPRING:**  
ENCLOSED, TYPE 17-7 SST SPRING
- ⑥ **HOLD-OPEN ARM:**  
TYPE 316 STAINLESS STEEL WITH RED VINYL GRIP HANDLE

- ⑦ **FLUSH LIFT HANDLE:** TYPE 316 STAINLESS STEEL
- ⑧ **DRAINAGE COUPLING:** 1-1/2"
- ⑨ **FLUSH TYPE PLUG SEAL:** TYPE 316 STAINLESS STEEL
- ⑩ **GASKET:** EPDM
- ⑪ **SAFETY GRATE:**  
ALUMINUM, 6" SERRATED RAILS WITH SAFETY ORANGE POWDER COAT, LIVE LOAD OF 300 PSF, SST HINGES AND INTEGRAL PADLOCK HASP
- ⑫ **NUT-RAIL:** ALUMINUM NUT-RAIL ON HINGE SIDES

FLOOR DOOR SIZE:

PROPRIETARY AND CONFIDENTIAL: THE INFORMATION CONTAINED IN THIS DRAWING IS THE SOLE PROPERTY OF NYSTROM. ANY REPRODUCTION IN PART OR AS A WHOLE WITHOUT THE WRITTEN PERMISSION OF NYSTROM IS PROHIBITED.

PROJECT:			
ARCHITECT:			
CONTRACTOR:			
QTY:			
PART#:			
		TITLE: FD, Drainable HS20, Dbl Dr, Alum, 1/4" Dmd, Mill, Cast-in, SST Spring Assist, 316 SST HDW, Gaskt, Slam Latch Removbl L Hdl, Safety Grt	
		9300 73rd Avenue North, Minneapolis, MN 55428	
NAME	DATE	SIZE	DWG. NO.
DRAWN BES	4/15/2019	A	Nystrom FD FDDSA_X_DFL-SGT ShpDr
RELEASED BES	4/15/2019	WEIGHT:	



**SLAM LATCH DETAIL**

			<b>TITLE:</b> FD, Drainable HS20, Dbl Dr, Alum, 1/4" Dmd, Mill, Cast-in, SST Spring Assist, 316 SST HDW, Gaskt, Slam Latch Removbl L Hdl, Safety Grt		
9300 73rd Avenue North Minneapolis, MN 55428			<b>SIZE</b> DWG. NO. A Nystrom FD FDDSA_X_DFL-SGT ShpDr		
<b>NAME</b>	<b>DATE</b>	<b>SIZE</b>	<b>DWG. NO.</b>	<b>REV</b>	
DRAWN	BES 4/15/2019	A	Nystrom FD FDDSA_X_DFL-SGT ShpDr	-	
RELEASED	BES 4/15/2019	WEIGHT:			SHEET 2 OF 2