

SPECIFICATIONS:

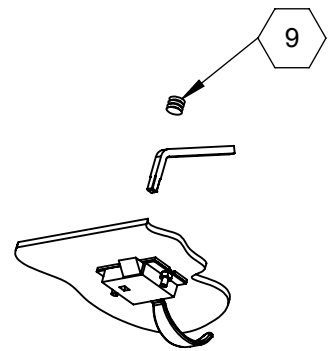
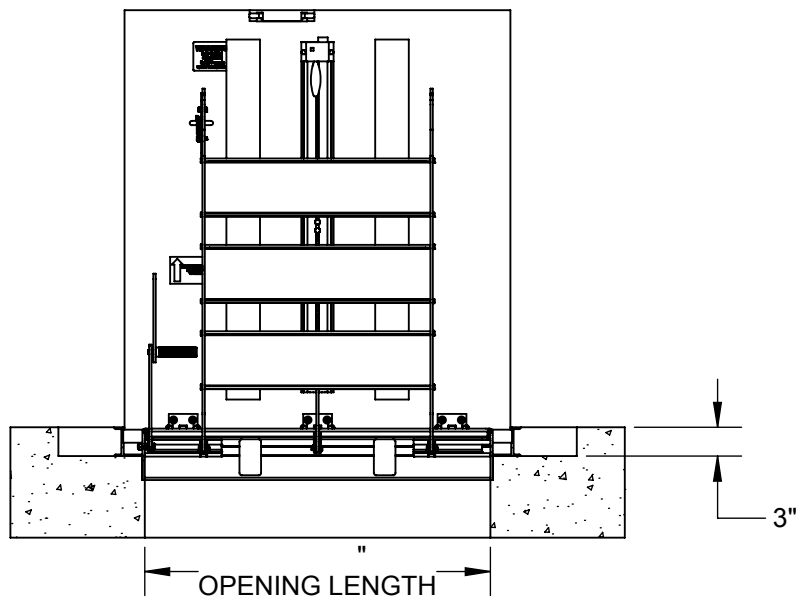
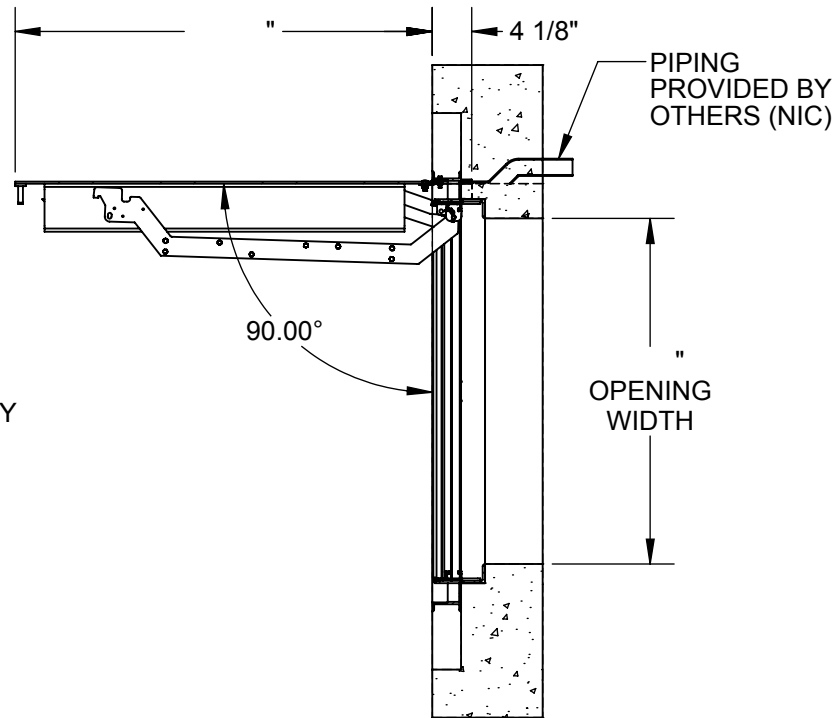
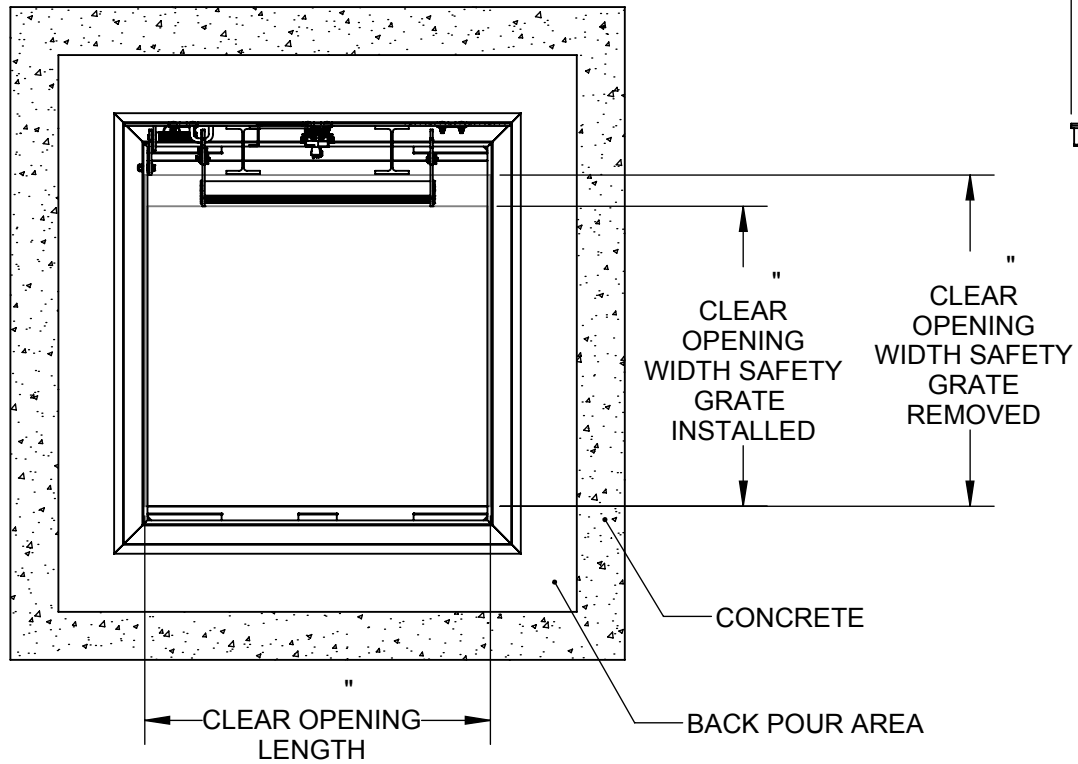
- ① **DOOR:**
ALUMINUM 1/4" DIAMOND PLATE, MILL FINISH WITH AN HS20 LOAD RATING FOR INFREQUENT LOW SPEED TRAFFIC WITH A MAX SPAN DEFLECTION OF 1/150
- ② **FRAME:**
ALUMINUM, 1/4" EXTRUSION, GRAY PRIMER FINISH ON EXTERIOR SURFACES THAT COME INTO CONTACT WITH CONCRETE
- ③ **HINGES:** TYPE 316 STAINLESS STEEL
- ④ **SLAM LATCH:**
TYPE 316 STAINLESS STEEL WITH INSIDE LEVER HANDLE AND OUTSIDE REMOVABLE HANDLE
- ⑤ **COUNTER-BALANCE SPRING:**
ENCLOSED, TYPE 17-7 SST SPRING
- ⑥ **HOLD-OPEN ARM:**
TYPE 316 STAINLESS STEEL WITH RED VINYL GRIP HANDLE

- ⑦ **FLUSH LIFT HANDLE:** TYPE 316 STAINLESS STEEL
- ⑧ **DRAINAGE COUPLING:** 1-1/2"
- ⑨ **FLUSH TYPE PLUG SEAL:** TYPE 316 STAINLESS STEEL
- ⑩ **GASKET:** EPDM
- ⑪ **SAFETY GRATE:**
ALUMINUM, 6" SERRATED RAILS WITH SAFETY ORANGE POWDER COAT, LIVE LOAD OF 300PSF, SST HINGES AND INTEGRAL PADLOCK HASP
- ⑫ **NUT-RAIL:** ALUMINUM NUT-RAIL ON HINGE AND LATCH SIDES

FLOOR DOOR SIZE:

PROPRIETARY AND CONFIDENTIAL: THE INFORMATION CONTAINED IN THIS DRAWING IS THE SOLE PROPERTY OF NYSTROM. ANY REPRODUCTION IN PART OR AS A WHOLE WITHOUT THE WRITTEN PERMISSION OF NYSTROM IS PROHIBITED.

PROJECT:				
ARCHITECT:				
CONTRACTOR:				
QTY:				
PART#:				
nystrom 9300 73rd Avenue North, Minneapolis, MN 55428	TITLE: FD, Drainable HS20, Sngl Dr, Alum, 1/4" Dmd, Mill, Gutter Frame, Gray Primer, Cast-In, Safety Grate			
NAME	DATE	SIZE	DWG. NO.	REV
DRAWN BES	4/11/19	A	Nystrom FD FDDSA_X_SFL-SGT ShpDr	A
RELEASED BES	4/11/19	WEIGHT:	SHEET 1 OF 2	



SLAM LATCH DETAIL

PROPRIETARY AND CONFIDENTIAL: THE INFORMATION CONTAINED IN THIS DRAWING IS THE SOLE PROPERTY OF NYSTROM. ANY REPRODUCTION IN PART OR AS A WHOLE WITHOUT THE WRITTEN PERMISSION OF NYSTROM IS PROHIBITED.

				TITLE: FD, Drainable HS20, Sngl Dr, Alum, 1/4" Dmd, Mill, Gutter Frame, Gray Primer, Cast-In, Safety Grate	
9300 73rd Avenue North Minneapolis, MN 55428				DWG. NO. Nystrom FD FDDSA_X_SFL-SGT ShpDr	
NAME	DATE	SIZE	DWG. NO.	REV	
DRAWN BES	4/11/19	A	Nystrom FD FDDSA_X_SFL-SGT ShpDr	A	
RELEASED BES	4/11/19	WEIGHT:	SHEET 2 OF 2		