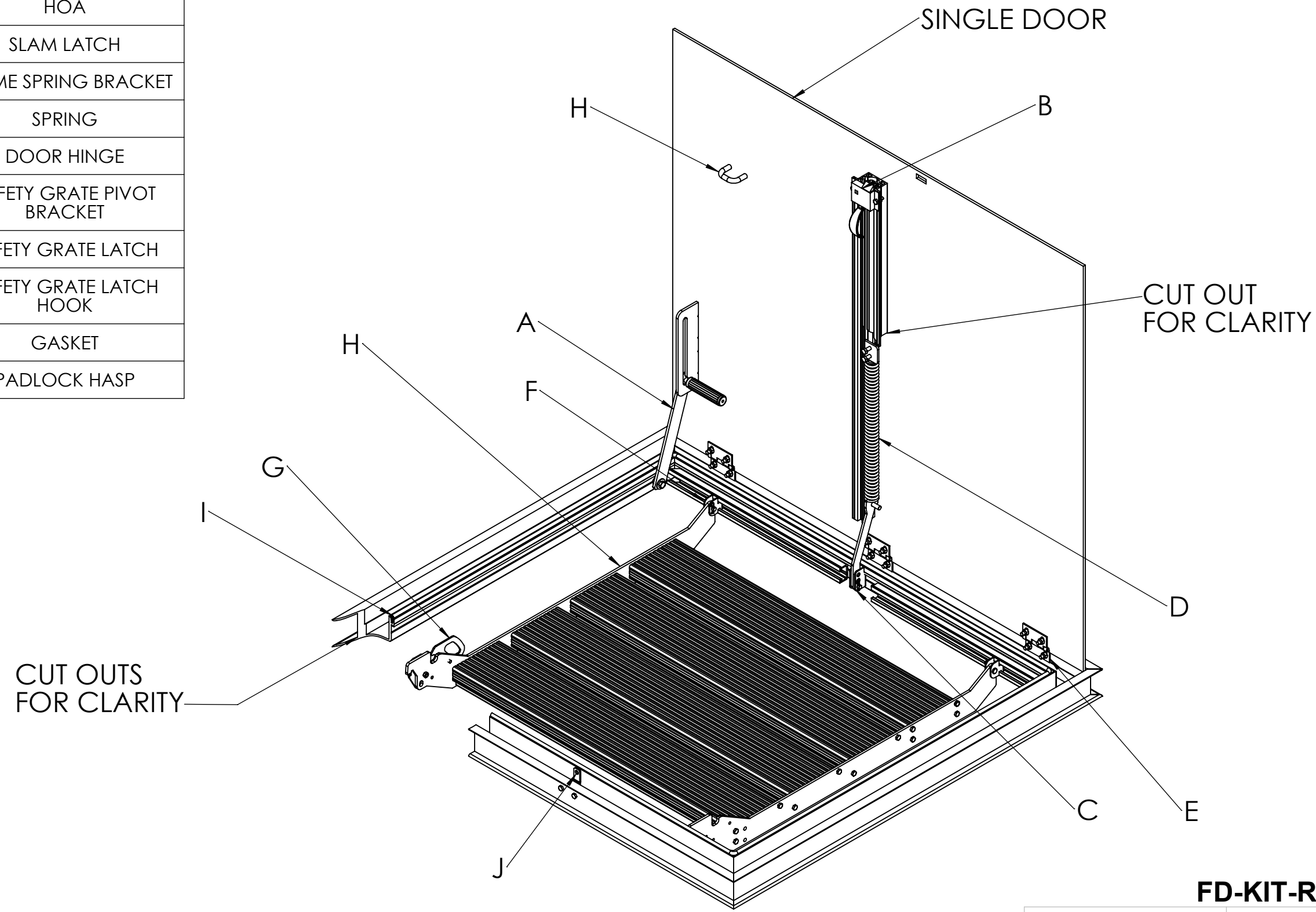



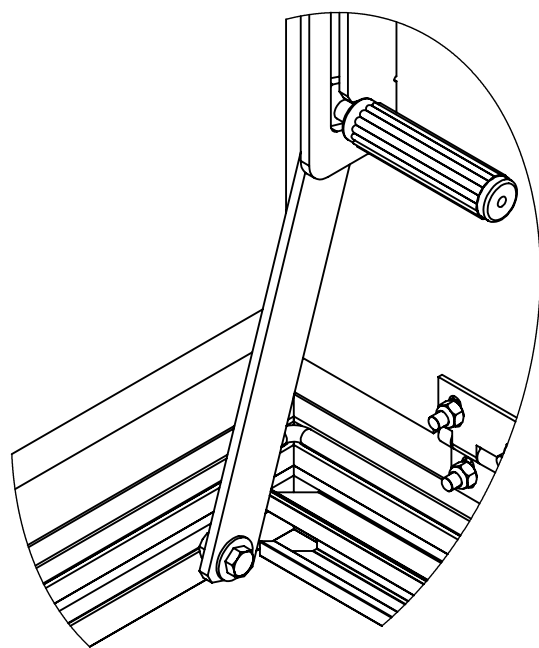
DETAIL	SHEET	DESCRIPTION
A	2	HOA
B	3	SLAM LATCH
C	4	FRAME SPRING BRACKET
D	5	SPRING
E	6	DOOR HINGE
F	7	SAFETY GRATE PIVOT BRACKET
G	8	SAFETY GRATE LATCH
H	9	SAFETY GRATE LATCH HOOK
I	10	GASKET
J	11	PADLOCK HASP



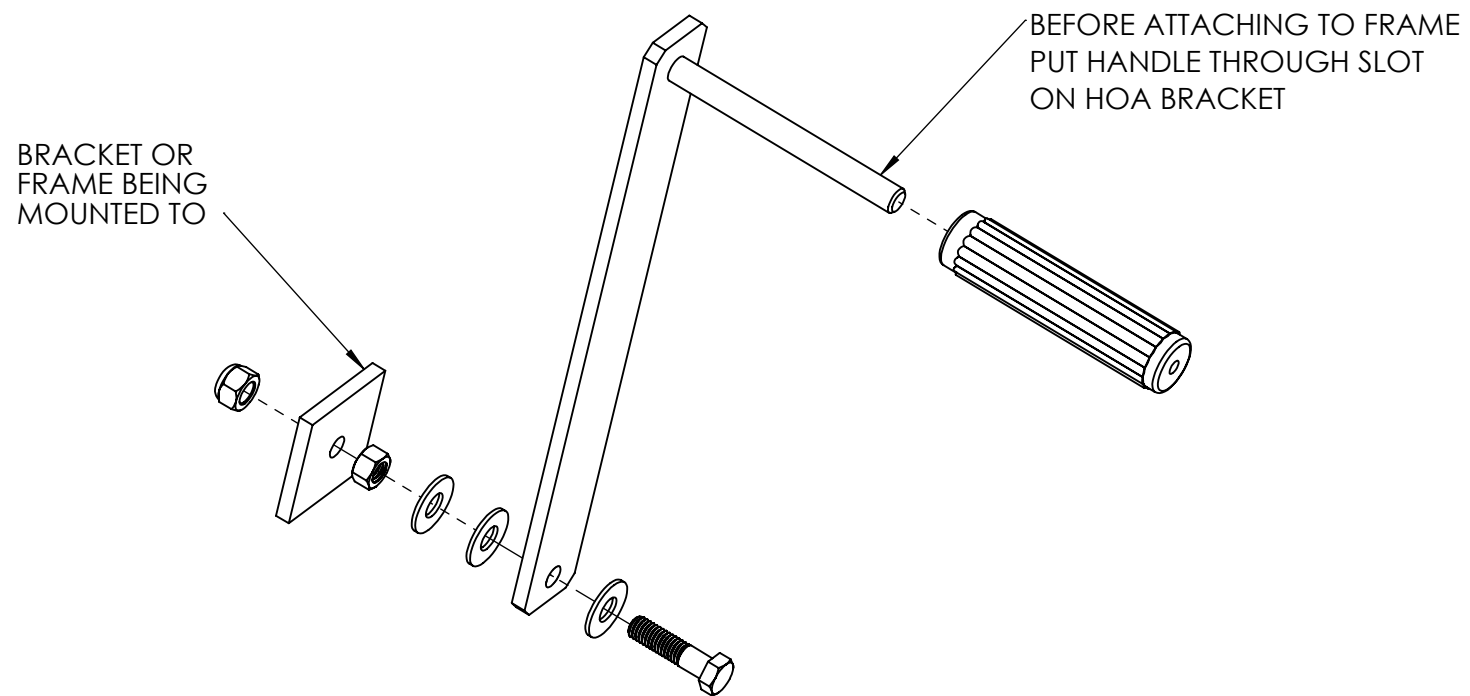
FD-KIT-RETRO18

 9300 73rd Avenue North Minneapolis, MN 55428		TITLE: Floor Door, Retro Drawing Replacement Part Drawing			
		SIZE	DWG. NO.	REV	
DRAWN	BES	10/10/18	B	FD-KIT-RETRO18	A
RELEASED	ST	10/10/18			
SHEET 1 OF 11					

REPLACEMENT PART NUMBER	FACTORY INSTALLED PART NUMBER	DESCRIPTION
FD-KIT-HOA18	-	RETRO, PKG, HOA, SST, FH
-	30819	PKG, HOA, SST, FH



FACTORY INSTALLED VIEW



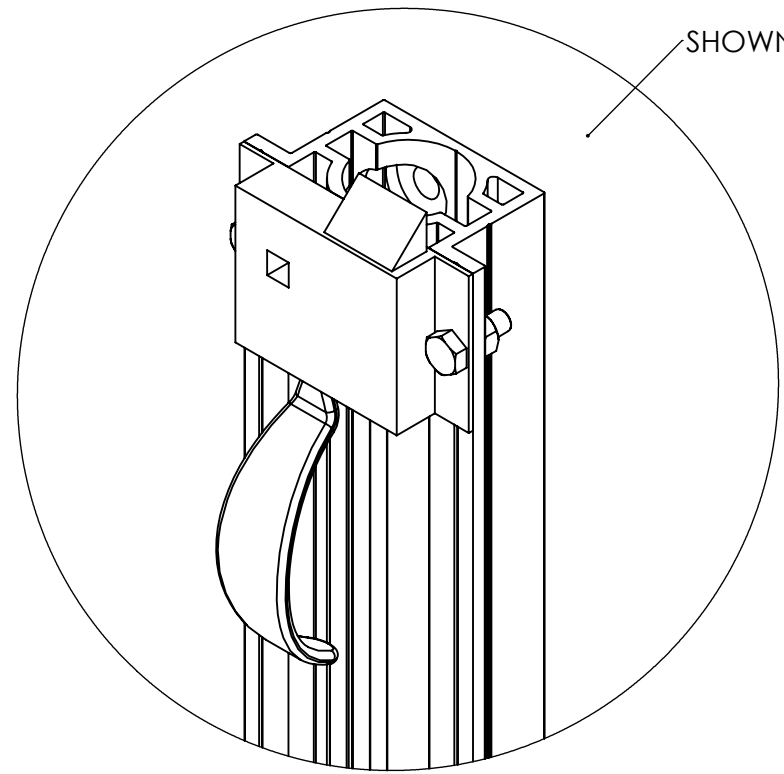
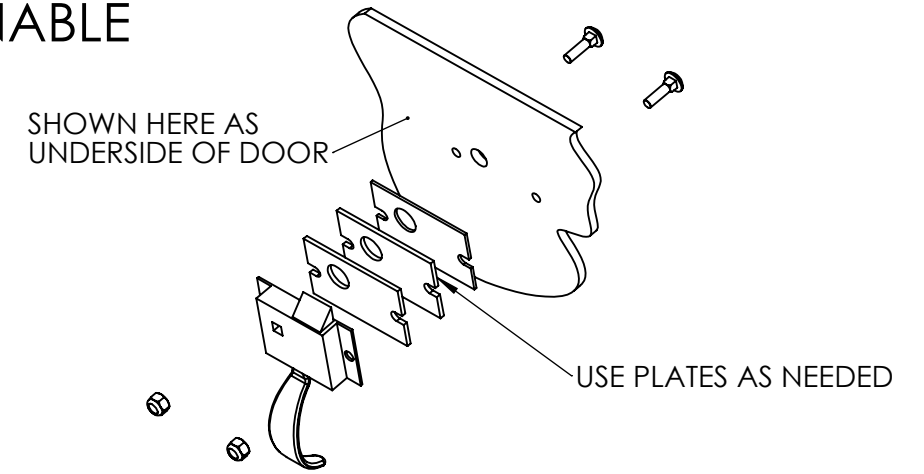
REPLACEMENT PART VIEW

REPLACEMENT HOA

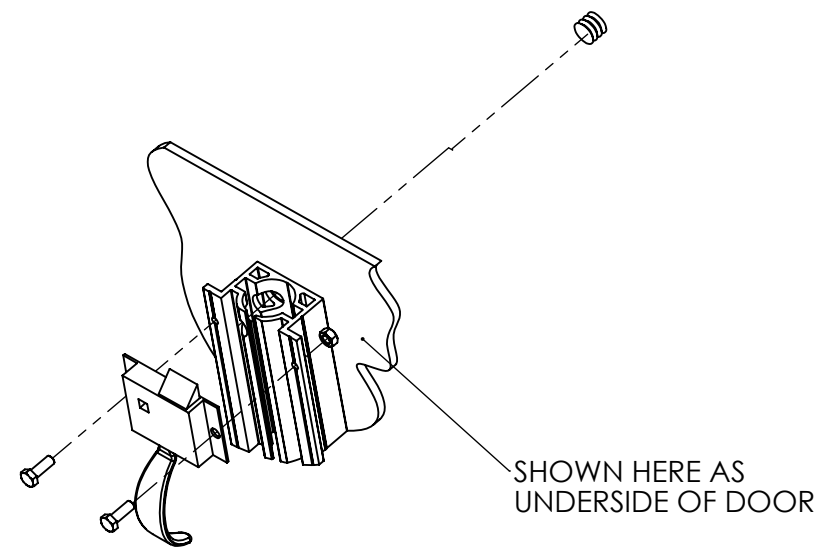
			TITLE: Floor Door, Retro Drawing Replacement Part Drawing		
9300 73rd Avenue North Minneapolis, MN 55428			SIZE	DWG. NO.	REV
DRAWN	BES	10/10/18	B	FD-KIT-RETRO18	A
RELEASED	ST	10/10/18			
SHEET 2 OF 11					

8	7	6	5
REPLACEMENT PART NUMBER	FACTORY INSTALLED PART NUMBER	DESCRIPTION	
FD-KIT-SLAMLATCH18N	-	RETRO, PKG, LATCH, SST, NON DRAINABLE	
-	28147	PKG, SLAM LATCH, NON DRAINABLE SERIES	
FD-KIT-SLAMLATCH18D	-	RETRO, PKG, LATCH, SST, DRAINABLE	
-	30816	PKG, SLAM LATCH, DRAINABLE SERIES	

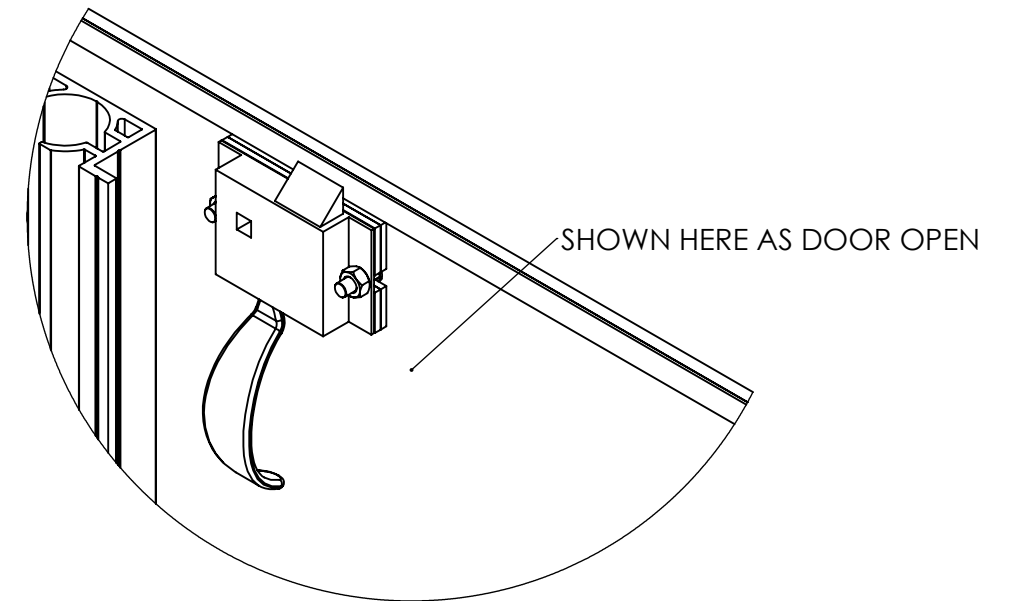
REPLACEMENT PART VIEW NON DRAINABLE



FACTORY INSTALLED VIEW
DRAINABLE



REPLACEMENT PART VIEW
DRAINABLE

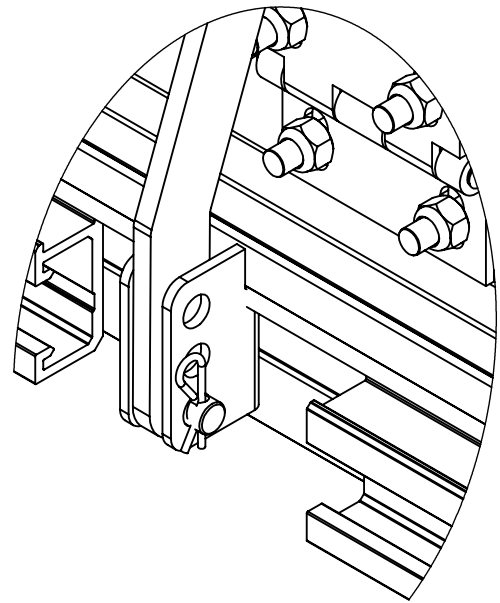


FACTORY INSTALLED VIEW
NON DRAINABLE

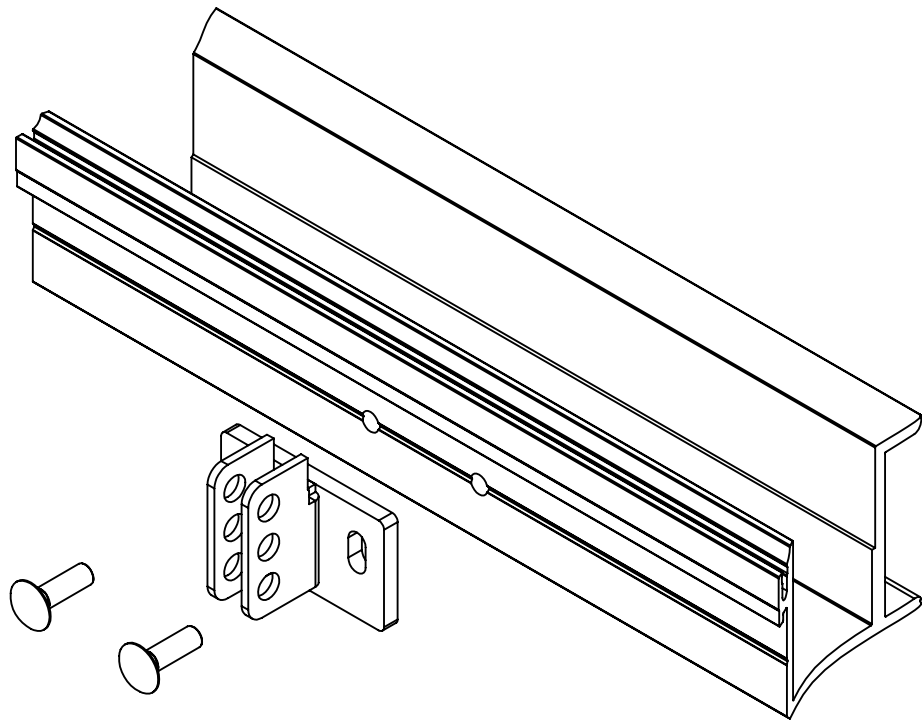
REPLACEMENT SLAM LATCH

		TITLE: Floor Door, Retro Drawing Replacement Part Drawing	
9300 73rd Avenue North Minneapolis, MN 55428		SIZE	DWG. NO.
DRAWN	BES	10/10/18	REV
RELEASED	ST	10/10/18	A
		SHEET 3 OF 11	

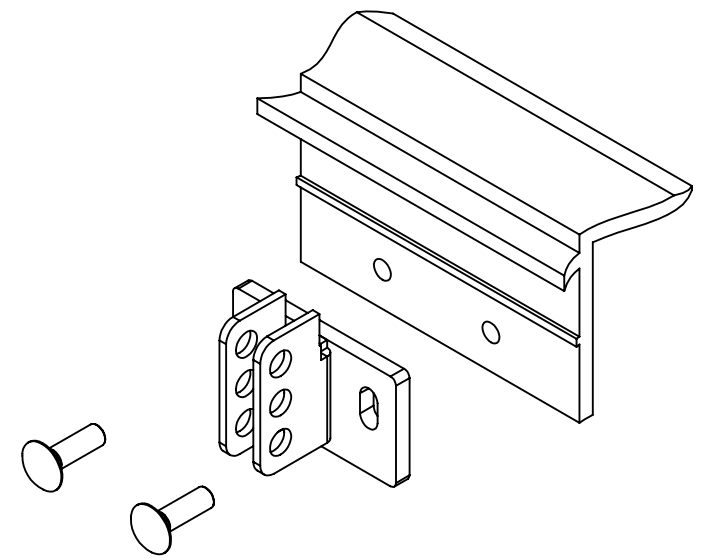
8	7	6	5
REPLACEMENT PART NUMBER	FACTORY INSTALLED PART NUMBER	DESCRIPTION	
FD-KIT-SPFRAMEMOUNT18	-	RETRO, PKG, SPRING MOUNT	
-	30761	BRKT, SPRING, FRAME, ALUM	



FACTORY INSTALLED VIEW




REPLACEMENT PART VIEW
DRAINABLE FRAME

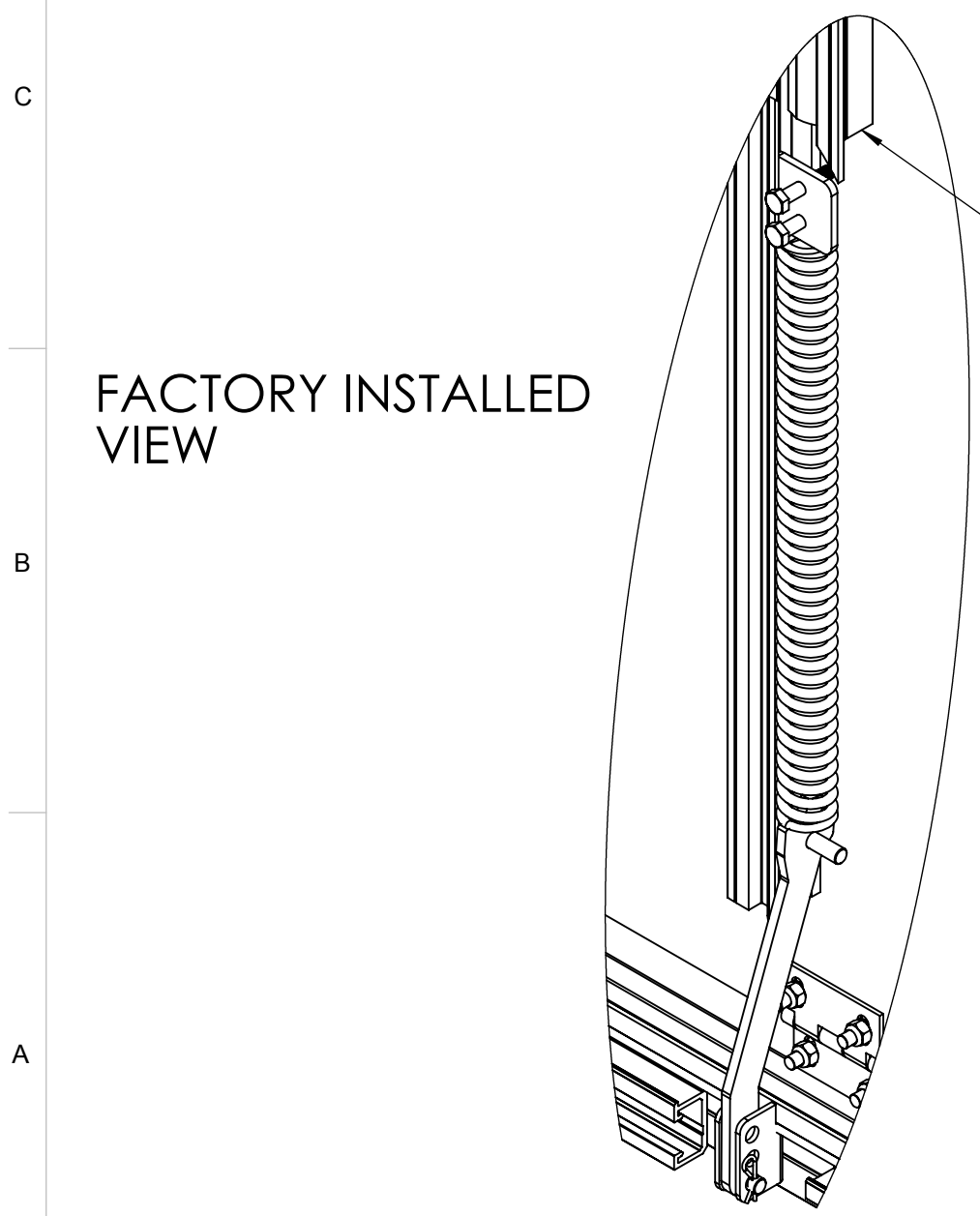


REPLACEMENT PART VIEW
NON DRAINABLE FRAME

REPLACEMENT FRAME SPRING BRACKET

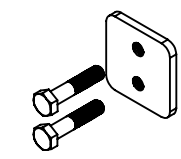
			TITLE: Floor Door, Retro Drawing Replacement Part Drawing		
9300 73rd Avenue North Minneapolis, MN 55428			SIZE	DWG. NO.	REV
DRAWN	BES	10/10/18	B	FD-KIT-RETRO18	A
RELEASED	ST	10/10/18			
SHEET 4 OF 11					

8	7	6	5	4	3	2	1
REPLACEMENT PART NUMBER	FACTORY INSTALLED PART NUMBER	DISCRIPTION					
FD-KIT-SPRING80-18	-	RETRO, PKG, SPRING, 80 LB					
-	1858	SPRING, 80 LB					
FD-KIT-SPRING40-18	-	RETRO, PKG, SPRING, 40 LB					
-	1831	SPRING, 40 LB					
FD-KIT-SPRINGLINK18	-	RETRO, PKG, SPRING LINK					
-	30757	LINK, SPRING, 316 SST					
FD-KIT-SPRINGSTOP18	-	RETRO, PKG, SPRING STOP					
-	30792	PLATE, STOP, SPRING, 316 SST					

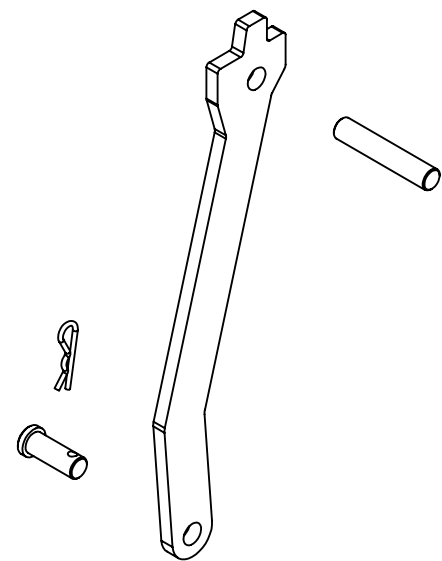


CUT OUT FOR CLARITY

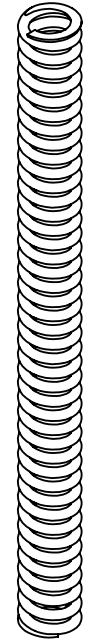
FACTORY INSTALLED VIEW



REPLACEMENT PART VIEW SPRING STOP PLATE



REPLACEMENT PART VIEW SPRING LINK



REPLACEMENT PART VIEW SPRING

REPLACEMENT SPRING

		TITLE:		Floor Door, Retro Drawing Replacement Part Drawing	
		9300 73rd Avenue North Minneapolis, MN 55428	SIZE	DWG. NO.	REV
DRAWN	BES	10/10/18	B	FD-KIT-RETRO18	A
RELEASED	ST	10/10/18			

8	7	6
REPLACEMENT PART NUMBER	FACTORY INSTALLED PART NUMBER	DESCRIPTION
FD-KIT-HINGE	-	RETRO, PKG, HINGE, FD
-	28141	PKG, HINGE, DRAINABLE AND NON DRAINABLE

D

D

C

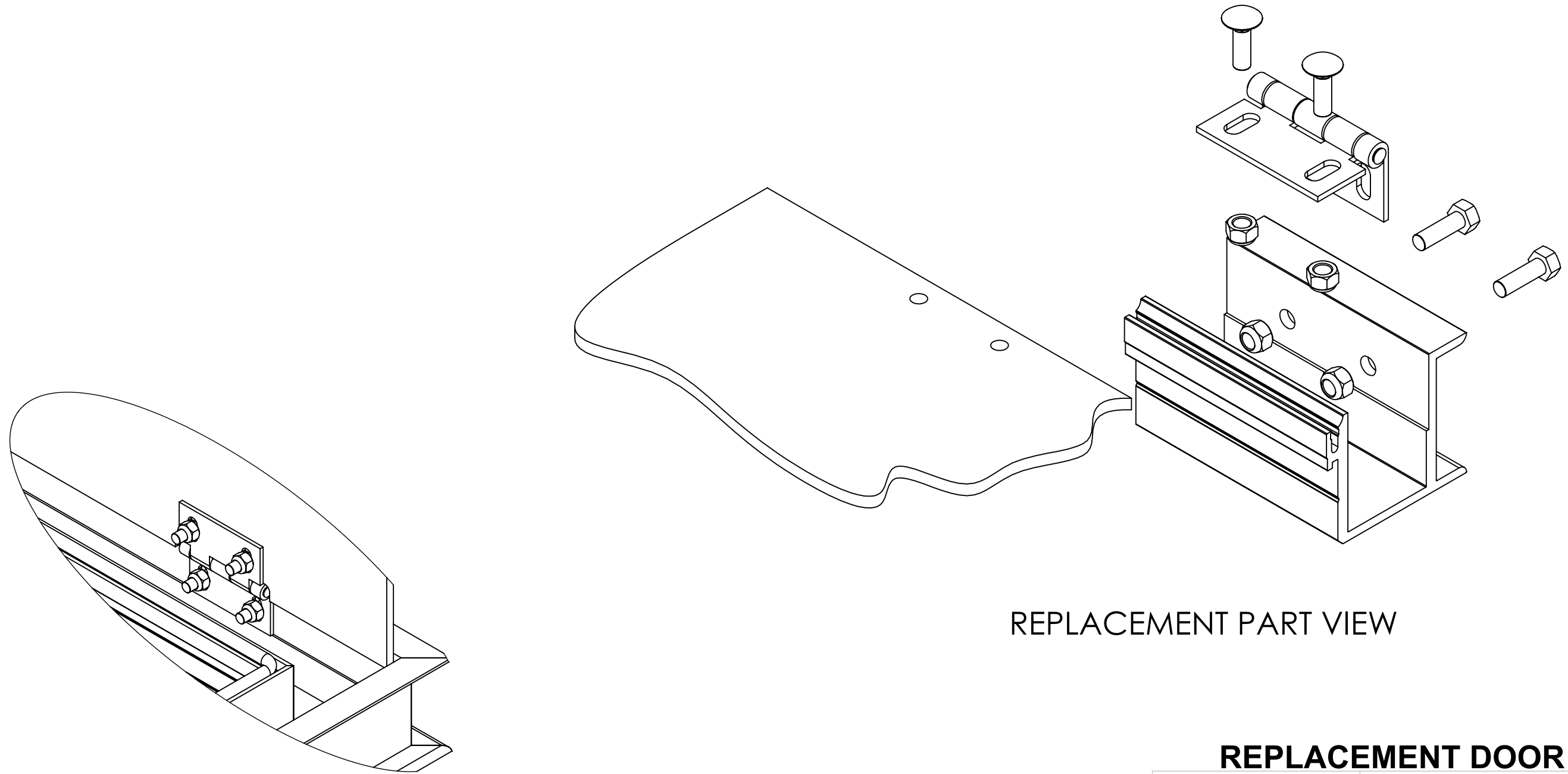
C

B

B

A

A



REPLACEMENT PART VIEW

REPLACEMENT DOOR HINGE



9300 73rd Avenue North
Minneapolis, MN 55428

TITLE:
Floor Door, Retro Drawing
Replacement Part Drawing

	NAME	DATE	SIZE	DWG. NO.	REV
DRAWN	BES	10/10/18	B	FD-KIT-RETRO18	A
RELEASED	ST	10/10/18			

SHEET 6 OF 11

8

7

6

5

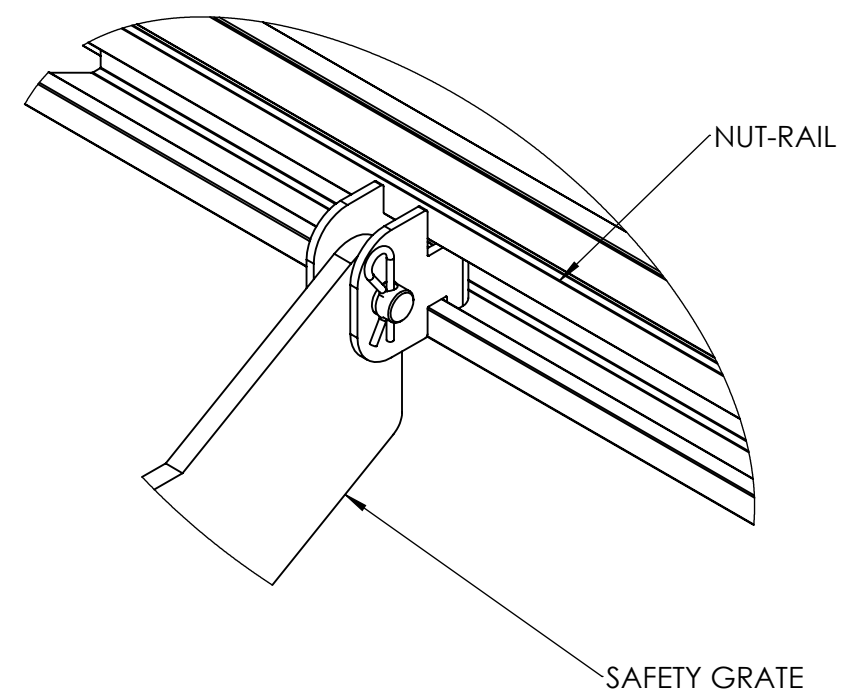
4

3

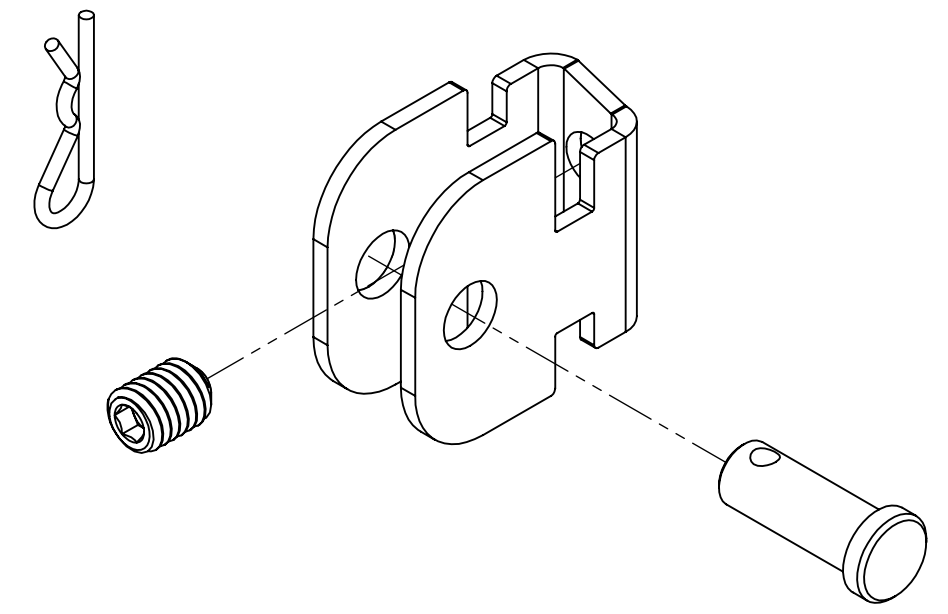
2

1

8	7	6
REPLACEMENT PART NUMBER	FACTORY INSTALLED PART NUMBER	DESCRIPTION
FD-KIT-PIVOTBRKT	-	RETRO, PKG, SAFETY GRATE PIVOT BRACKET
-	30820	PKG, SAFETY GRATE PIVOT BRACKET, FD




FACTORY INSTALLED VIEW

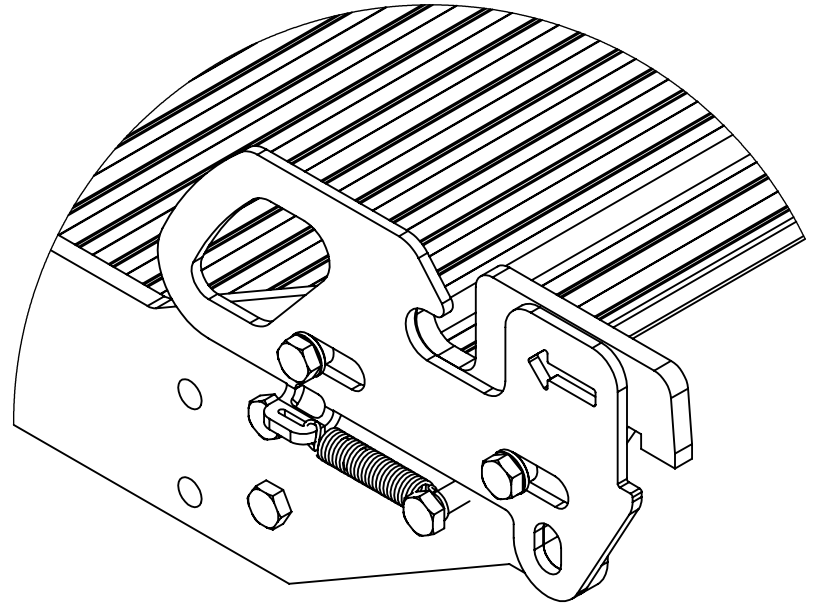


REPLACEMENT PART VIEW

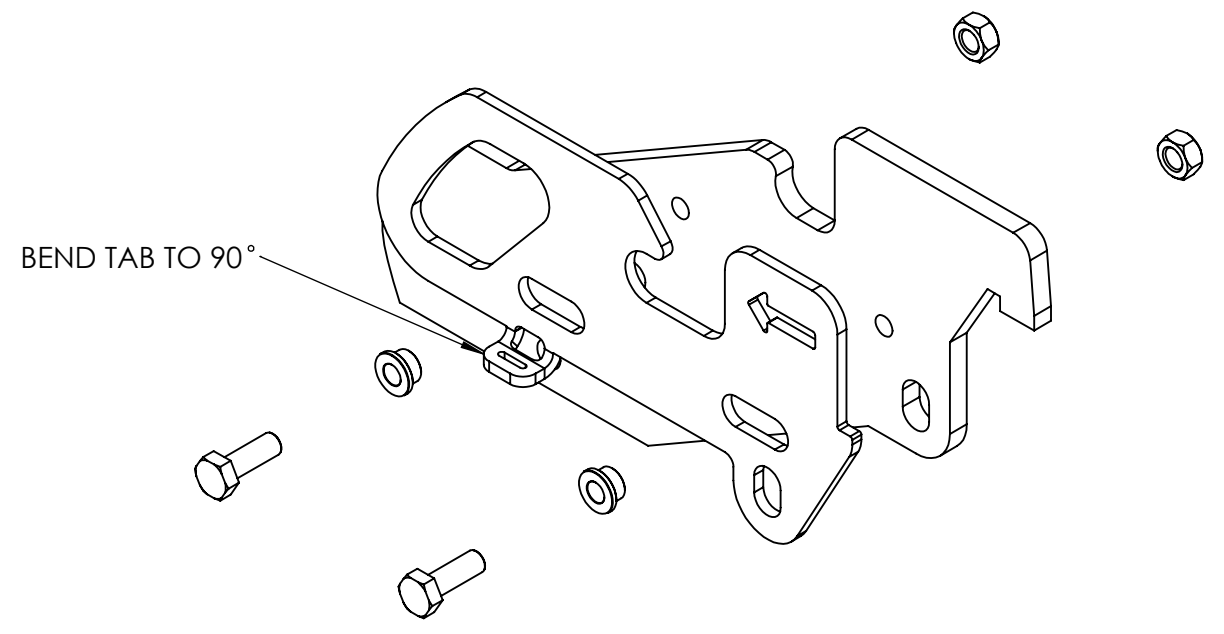
REPLACEMENT SAFETY GRATE PIVOT BRACKET

			TITLE: Floor Door, Retro Drawing Replacement Part Drawing		
9300 73rd Avenue North Minneapolis, MN 55428			SIZE	DWG. NO.	REV
DRAWN	BES	10/10/18	B	FD-KIT-RETRO18	A
RELEASED	ST	10/10/18			

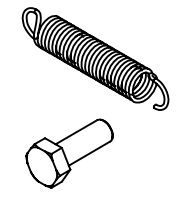
8	7	6	5
REPLACEMENT PART NUMBER	FACTORY INSTALLED PART NUMBER	DESCRIPTION	
FD-KIT-GRATELATCH18	-	RETRO, PKG, SAFETY GRATE LATCH, 316 SST	
-	30783	SAFETY GRATE LATCH, 316 SST	
FD-KIT-GRATESPRING18	-	RETRO, PKG, SAFETY GRATE LATCH SPRING, 316 SST	
-	30793	SPRING, .375" X 1.75" LG, 316 SST	



FACTORY INSTALLED VIEW




REPLACEMENT PART VIEW
GRATE LATCH



REPLACEMENT PART VIEW
GRATE SPRING

REPLACEMENT SAFETY GRATE LATCH

 9300 73rd Avenue North Minneapolis, MN 55428		TITLE: Floor Door, Retro Drawing Replacement Part Drawing			
		SIZE	DWG. NO.	REV	
DRAWN	BES	10/10/18	B	FD-KIT-RETRO18	A
RELEASED	ST	10/10/18			

8 REPLACEMENT PART NUMBER	7 FACTORY INSTALLED PART NUMBER	6 DESCRIPTION
FD-KIT-GRATEHOOK-18	-	RETRO, PKG, SAFETY GRATE LATCH HOOK, ALUM
-	30794	SAFETY GRATE LATCH HOOK, ALUM

D

D

C

C

B

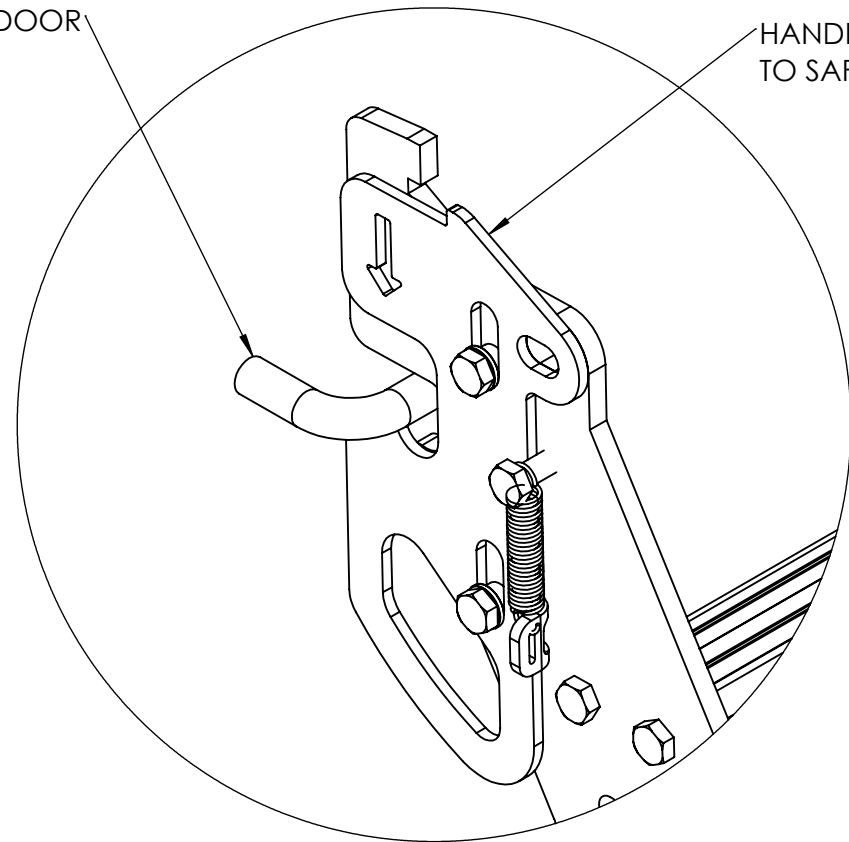
B

A

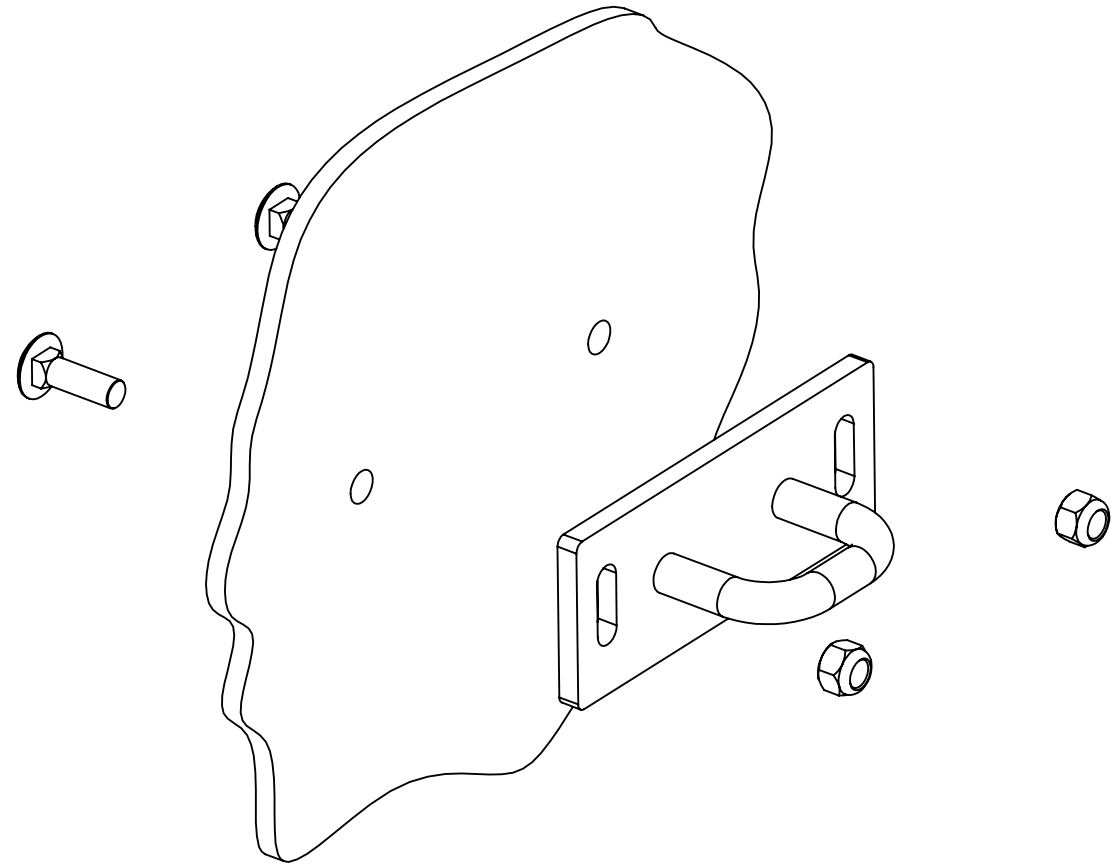
A

LATCH HOOK ATTACHED TO DOOR

HANDLE ATTACHED TO SAFETY GRATE



FACTORY INSTALLED VIEW



REPLACEMENT PART VIEW

REPLACEMENT SAFETY GRATE LATCH HOOK



9300 73rd Avenue North
Minneapolis, MN 55428

TITLE:
Floor Door, Retro Drawing
Replacement Part Drawing

	NAME	DATE	SIZE	DWG. NO.	REV
DRAWN	BES	10/10/18	B	FD-KIT-RETRO18	A
RELEASED	ST	10/10/18			

SHEET 9 OF 11

8

7

6

5

4

3

2

1

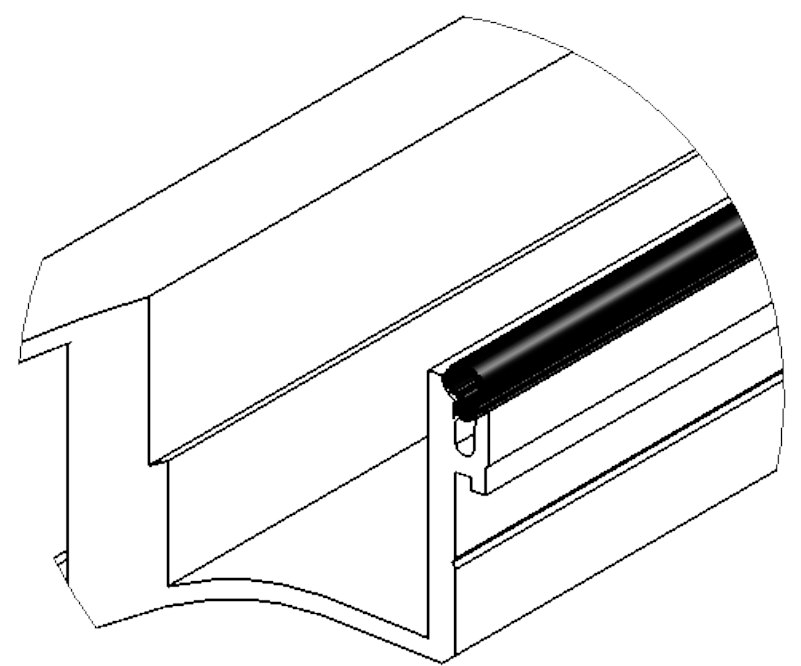
8	7	6	5	4	3	2	1
REPLACEMENT PART NUMBER	FACTORY INSTALLED PART NUMBER	DESCRIPTION					
FD-KIT-GASKET18D	-	RETRO, PKG, GASKET, DRAINABLE					
	30758	GASKET, EPDM, DRAINABLE					
FD-KIT-GASKET18N	-	RETRO, PKG, GASKET, NON DRAINABLE					
-	2117	GASKET, EPDM					

D

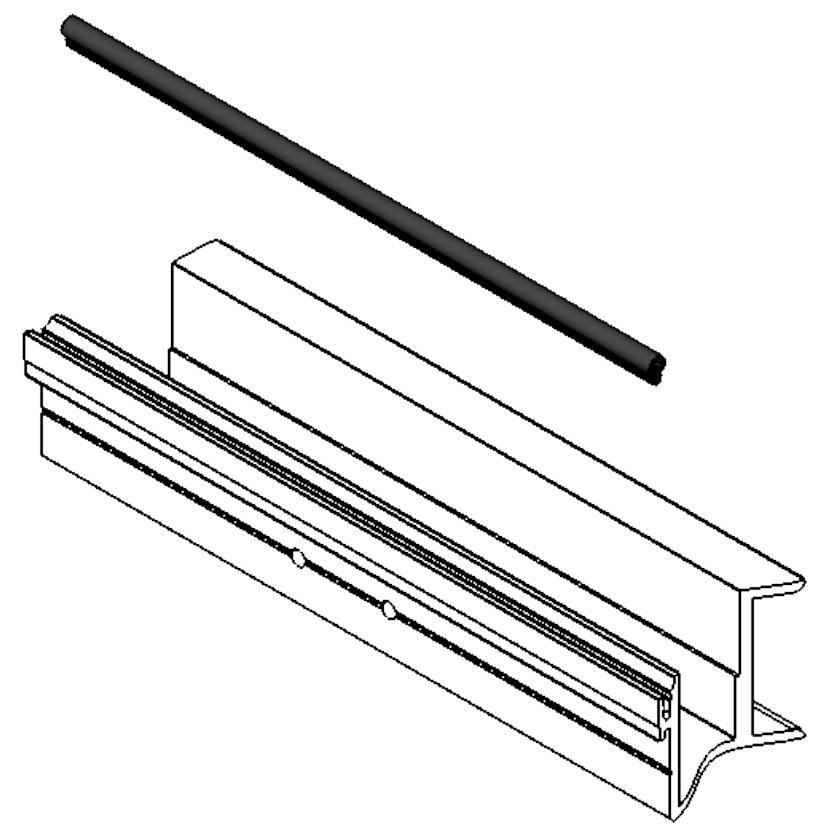
C

B

A

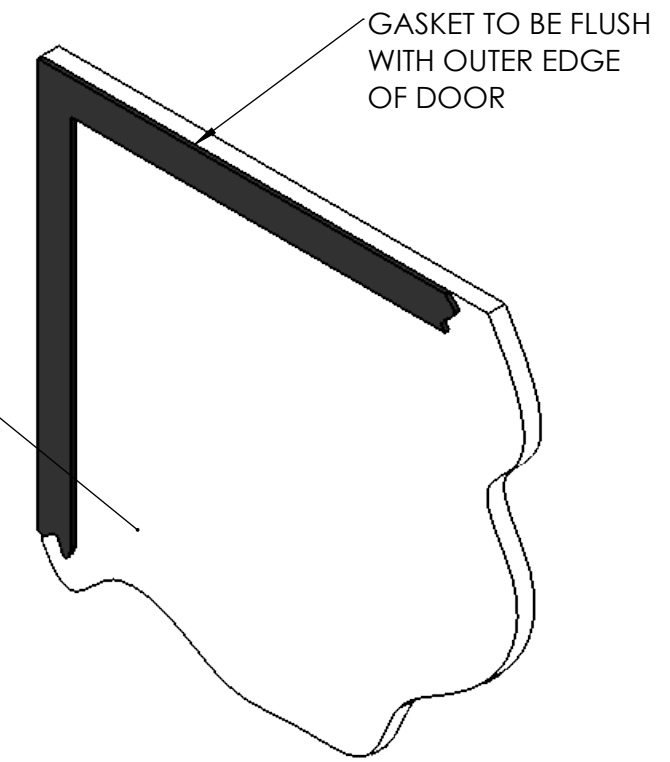


FACTORY INSTALLED VIEW



REPLACEMENT PART VIEW DRAINABLE

SHOWN HERE AS UNDERSIDE OF DOOR



REPLACEMENT PART VIEW NON DRAINABLE

GASKET TO BE FLUSH WITH OUTER EDGE OF DOOR

REPLACEMENT GASKET



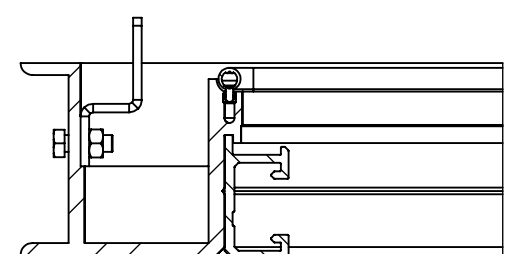
9300 73rd Avenue North
Minneapolis, MN 55428

TITLE: Floor Door, Retro Drawing
Replacement Part Drawing

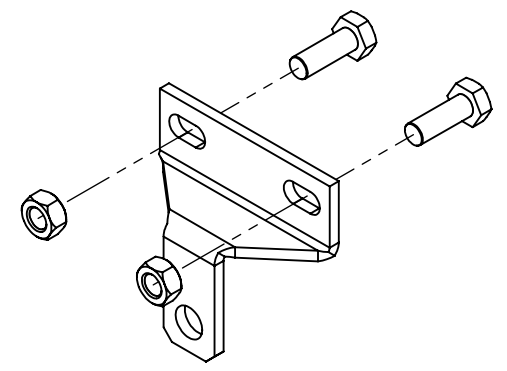
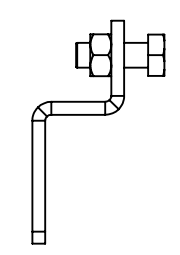
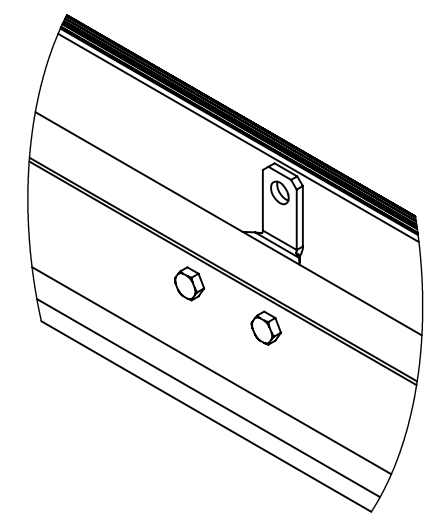
	NAME	DATE	SIZE	DWG. NO.	REV
DRAWN	BES	10/10/18	B	FD-KIT-RETRO18	A
RELEASED	ST	10/10/18			

8 7 6 5 4 3 2 1

8	7	6	5
REPLACEMENT PART NUMBER	FACTORY INSTALLED PART NUMBER	DESCRIPTION	
FD-KIT-PADLOCKHASP	-	RETRO, HASP, PADLOCK, 316 SST	
-	30953	PKG, HASP, PADLOCK, 316 SST	



SIDE VIEW



REPLACEMENT PART VIEW

REPLACEMENT PADLOCK HASP



9300 73rd Avenue North
Minneapolis, MN 55428

TITLE:		Floor Door, Retro Drawing Replacement Part Drawing		
SIZE	DWG. NO.	REV		
B	FD-KIT-RETRO18	A		
NAME	DATE	SHEET 11 OF 11		
DRAWN	BES	10/10/18		
RELEASED	ST	10/10/18		