

SPECIFICATIONS:

- ① **DOOR:**
STEEL 3/16" DIAMOND PLATE, GRAY PRIMER FINISH WITH A LIVE LOAD OF 300 PSF WITH A MAX SPAN DEFLECTION OF 1/150
- ② **FRAME:**
STEEL 2"x3"x3/16" ANGLE, GRAY PRIMER FINISH
- ③ **HINGES:** TYPE 316 STAINLESS STEEL
- ④ **SLAM LATCH:**
TYPE 316 STAINLESS STEEL WITH INSIDE LEVER HANDLE AND OUTSIDE REMOVABLE HANDLE
- ⑤ **COUNTER-BALANCE SPRING:**
ENCLOSED, TYPE 17-7 SST SPRING
- ⑥ **HOLD-OPEN ARM:**
TYPE 316 STAINLESS STEEL WITH RED VINYL GRIP HANDLE

⑦ **ANCHOR:** 3/8" HOLES PROVIDED FOR BOLT IN ON SITE, ANCHORS PROVIDED BY OTHERS

FLOOR DOOR SIZE:

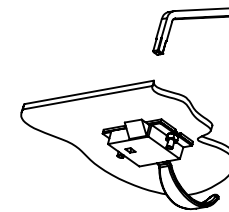
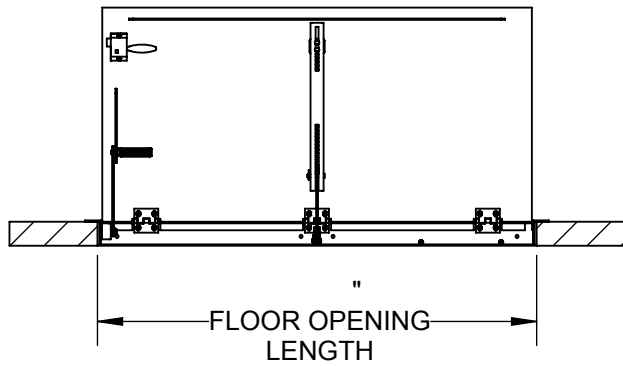
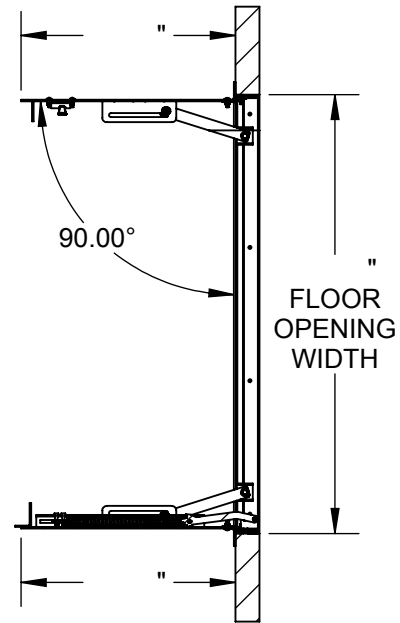
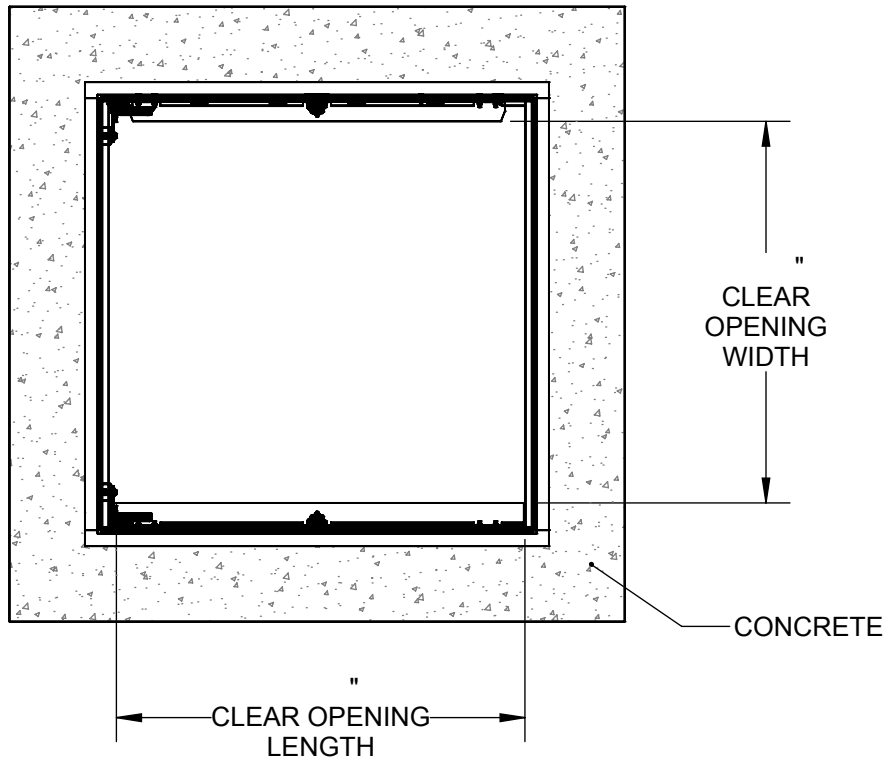
PROJECT:	
ARCHITECT:	
CONTRACTOR:	
QTY:	
PART#:	

nystrom 9300 73rd Avenue North, Minneapolis, MN 55428

TITLE: Floor Door, Existing Opening, Dbl Dr, 316 SST Hdw, Steel, Primer Coat, Pedestrian, Bolt-In, Slam Latch, Removable L Hdl

NAME	DATE	SIZE	DWG. NO.	REV
DRAWN BES	12/4/2018	A	Nystrom FD FDEPP_X_DDL ShpDr	A
RELEASED BES	12/4/2018	WEIGHT:		SHEET 1 OF 2

PROPRIETARY AND CONFIDENTIAL: THE INFORMATION CONTAINED IN THIS DRAWING IS THE SOLE PROPERTY OF NYSTROM. ANY REPRODUCTION IN PART OR AS A WHOLE WITHOUT THE WRITTEN PERMISSION OF NYSTROM IS PROHIBITED.



SLAM LATCH DETAIL



9300 73rd Avenue North
Minneapolis, MN 55428

TITLE: Floor Door, Existing Opening,
Dbl Dr, 316 SST Hdw,
Steel, Primer Coat, Pedestrian, Bolt-In, Slam
Latch, Removable L Hdl

	NAME	DATE	SIZE	DWG. NO.	REV
DRAWN	BES	12/4/2018	A	Nystrom FD FDEPP_X_DDL ShpDr	A
RELEASED	BES	12/4/2018	WEIGHT:		SHEET 2 OF 2