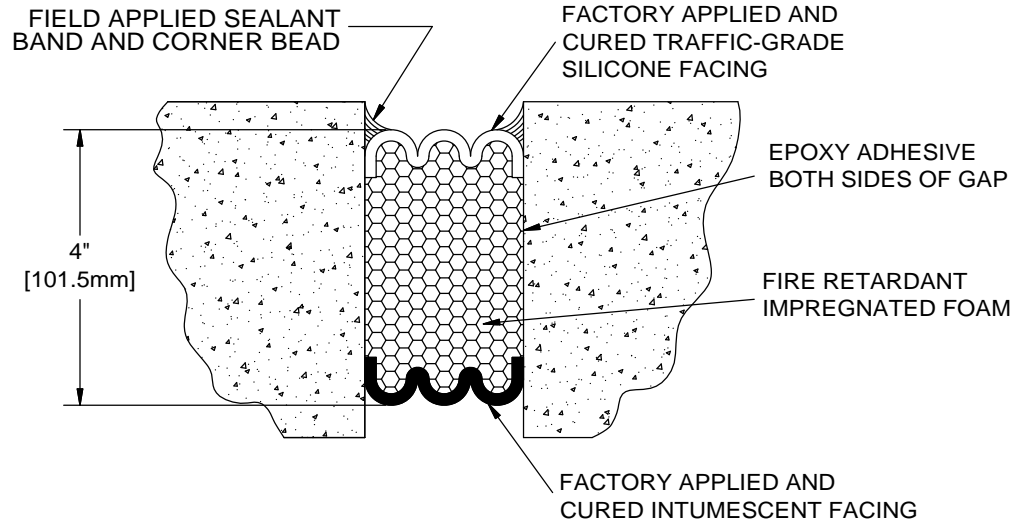
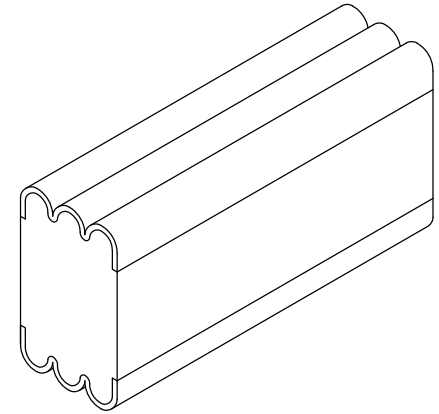


FHES3 Series		
Model	Joint Nominal	Depth
EJ-FHES3-050	1/2"	4"
EJ-FHES3-075	3/4"	4"
EJ-FHES3-100	1"	4"
EJ-FHES3-125	1 1/4"	4"
EJ-FHES3-150	1 1/2"	4"
EJ-FHES3-175	1 3/4"	4"
EJ-FHES3-200	2"	4"
EJ-FHES3-225	2 1/4"	4"
EJ-FHES3-250	2 1/2"	4"
EJ-FHES3-275	2 3/4"	4"
EJ-FHES3-300	3"	4"
EJ-FHES3-325	3 1/4"	4"
EJ-FHES3-350	3 1/2"	4"
EJ-FHES3-375	3 3/4"	4"
EJ-FHES3-400	4"	4"



4"
[101.5mm]

DECK TO DECK
(DECK TO WALL SIMILAR)




FHES3 Series Color

Sikasil WS-295 Deck Gray

FHES3 Product Notes

1. Single-Unit, Fire and Water Resistant Expansion Joint System for Floors and Decks
2. 3-Hour, Built-In Fire-Rating (UL 2079)
3. Joint movement capability is + 25% and - 25% (50% total) of nominal material size
4. Sizes under 1-1/2" are manufactured with a single bellows. Larger sizes incorporate multiple bellows

PROPRIETARY AND CONFIDENTIAL: THE INFORMATION CONTAINED IN THIS DRAWING IS THE SOLE PROPERTY OF NYSTROM. ANY REPRODUCTION IN PART OR AS A WHOLE WITHOUT THE WRITTEN PERMISSION OF NYSTROM IS PROHIBITED.

CUSTOMER:					
JOB REF:					
LOCATION:					
QTY:					
		TITLE: EJ-FHES3 SERIES, EJ Seal, Int/Ext, Vehicular, Floor to Floor, Compression, Thermal, 6.56 FT Lengths, 3 Hour Fire Rated			
9300 73rd Avenue North Minneapolis, MN 55428					
NAME	DATE	SIZE	DWG. NO.	REV	
DRAWN	DKL	7/16/19	A	EJ-FHES3 SERIES	A
RELEASED	GLN	7/16/19	WEIGHT:	SHEET 1 OF 1	