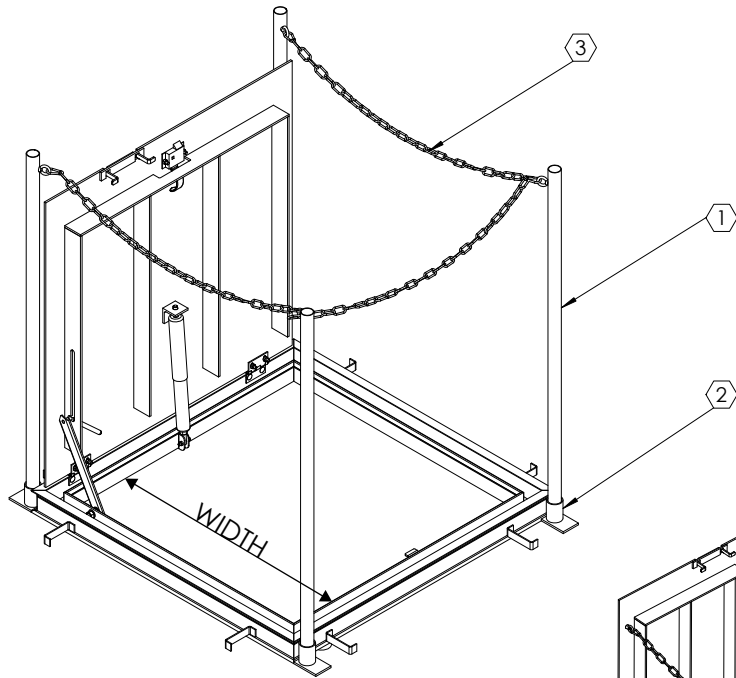


B

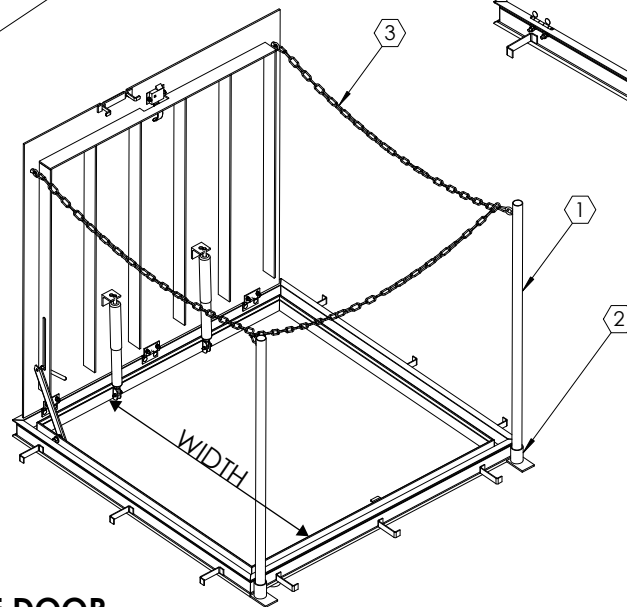
B

A

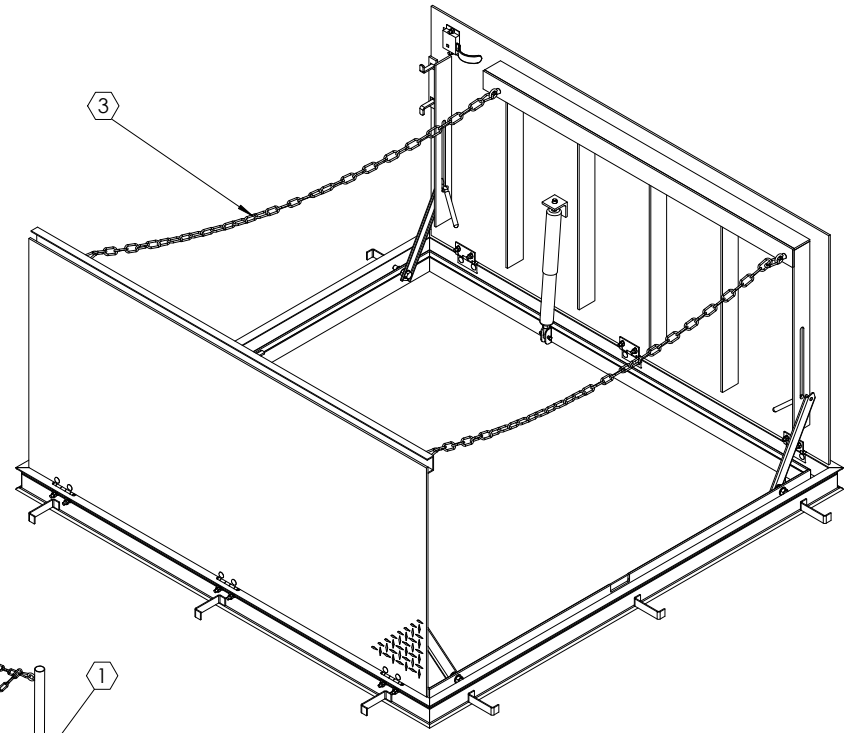
A



SINGLE DOOR
WIDTH <42"



SINGLE DOOR
WIDTH 42" - 48"




DOUBLE DOOR

SPECIFICATIONS:

- ① **POST:** ALUMINUM TUBING, 1-1/2" OUTSIDE DIAMETER X .065" WALL THICKNESS
- ② **BASE MOUNT:** ALUMINUM TUBING 2" OUTSIDE DIAMETER WITH 2.5" MOUNTING PLATE WELDED TO EXTERIOR OF FRAME
- ③ **CHAIN:** TYPE 316 STAINLESS STEEL 3/16" LOOP CHAIN ATTACHED WITH SPRING CLIPS TO LIFTING EYE NUT

PROPRIETARY AND CONFIDENTIAL: THE INFORMATION CONTAINED IN THIS DRAWING IS THE SOLE PROPERTY OF NYSTROM. ANY REPRODUCTION IN PART OR AS A WHOLE WITHOUT THE WRITTEN PERMISSION OF NYSTROM IS PROHIBITED. THIS IS A GENERIC SHOP DRAWING AND MAY NOT BE AN ACTUAL REPRESENTATION OF THE FINAL PRODUCT.

FLOOR DOOR SAFETY CHAIN OPTIONS (-SC)

				TITLE: Floor Door Safety Chain Options		
9300 73rd Avenue North Minneapolis, MN 55428						
	NAME	DATE	SIZE	DWG. NO.		REV
DRAWN	JE	04/18/11	A	FD-SC		A
RELEASED	DWO	04/18/11	WEIGHT: Varies		SHEET 1 OF 1	