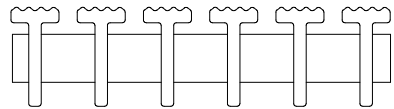


GL10P

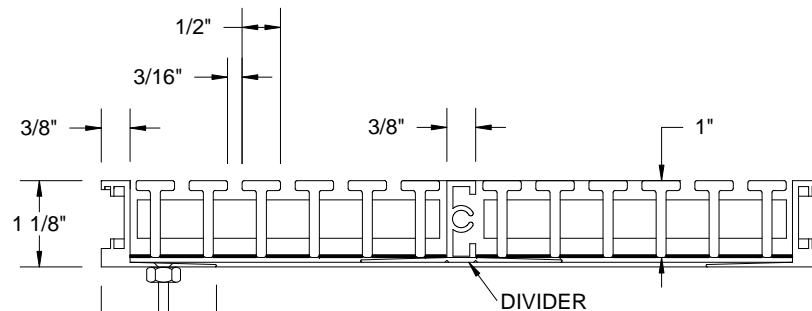
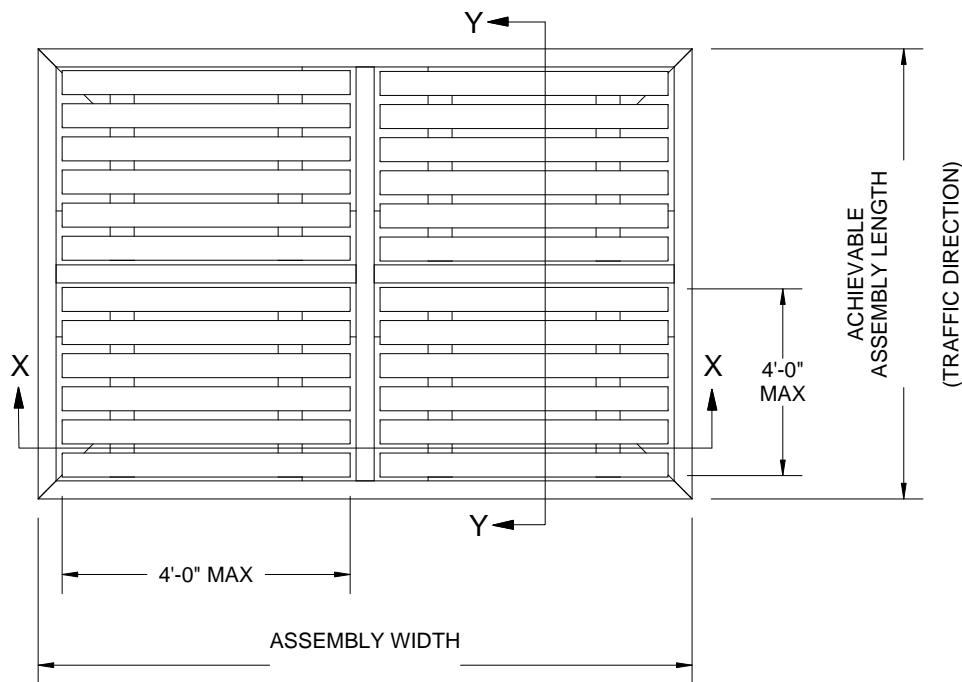


GL10S

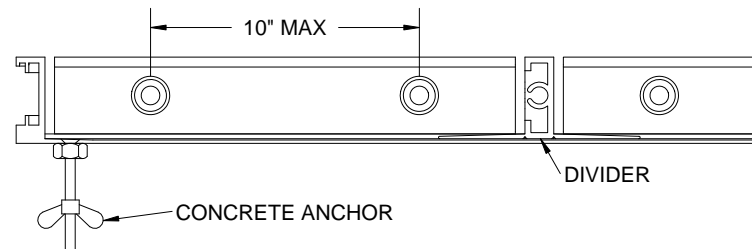
| QTY. | MODEL | WIDTH | LENGTH | LOCATION |
|------|-------|-------|--------|----------|
|      |       |       |        |          |
|      |       |       |        |          |
|      |       |       |        |          |
|      |       |       |        |          |
|      |       |       |        |          |
|      |       |       |        |          |
|      |       |       |        |          |
|      |       |       |        |          |
|      |       |       |        |          |
|      |       |       |        |          |

RECESS OPENING DIMENSIONS:

\_\_\_\_\_ WIDTH X \_\_\_\_\_ LENGTH




SECTION Y-Y



SECTION X-X

- NOTES:
- MAXIMUM GRATE SECTION SIZE NOT TO EXCEED 48" X 48"
  - GRATE MUST BE INSTALLED IN A LEVEL BED RECESS
  - RAILS ARE 6061-T6 ALUMINUM ALLOY; FRAMES ARE 6063-T6 ALUMINUM ALLOY
  - TREAD RAILS MUST RUN PERPENDICULAR TO TRAFFIC DIRECTION
  - DESIGN CLEARANCE BETWEEN GRATE AND FRAME IS 1/8"
  - ACTUAL ACHIEVEABLE GRATE LENGTH IS DEPENDANT ON BOTH NUMBER AND SIZE OF SECTIONS
  - SITE OPENING LENGTH MUST BE ADJUSTED TO GRATE AND FRAME ACHIEVABLE LENGTH
  - ADDITIONAL INFORMATION CAN BE FOUND IN THE PRODUCT SPECIFICATION AND IS CONSIDERED PART OF THIS TRANSMITTAL

|   |          |   |                             |
|---|----------|---|-----------------------------|
| PROJECT:  |          |   |                             |
| ARCHITECT:  |          |   |                             |
| CONTRACTOR:   |          |   |                             |
| RAIL:   |          | GL10_   |                             |
| FRAME:  |          | FL10LBC   |                             |
|  |          | TITLE: AlumaGRIL Grate Level Bed<br>Cast In Frame |                             |
| 9300 73rd Avenue North<br>Minneapolis, MN 55428                                       |          |   |                             |
| NAME  | DATE     | SIZE  | DWG. NO.                    |
| DRAWN DKL   | 01/12/18 | A   | Nystrom EFS GL10_-LBC ShpDr |
| RELEASED  | DT       | 01/12/18  | WEIGHT:                     |
|   |          |   | REV A                       |
|   |          |   | SHEET 1 OF 1                |