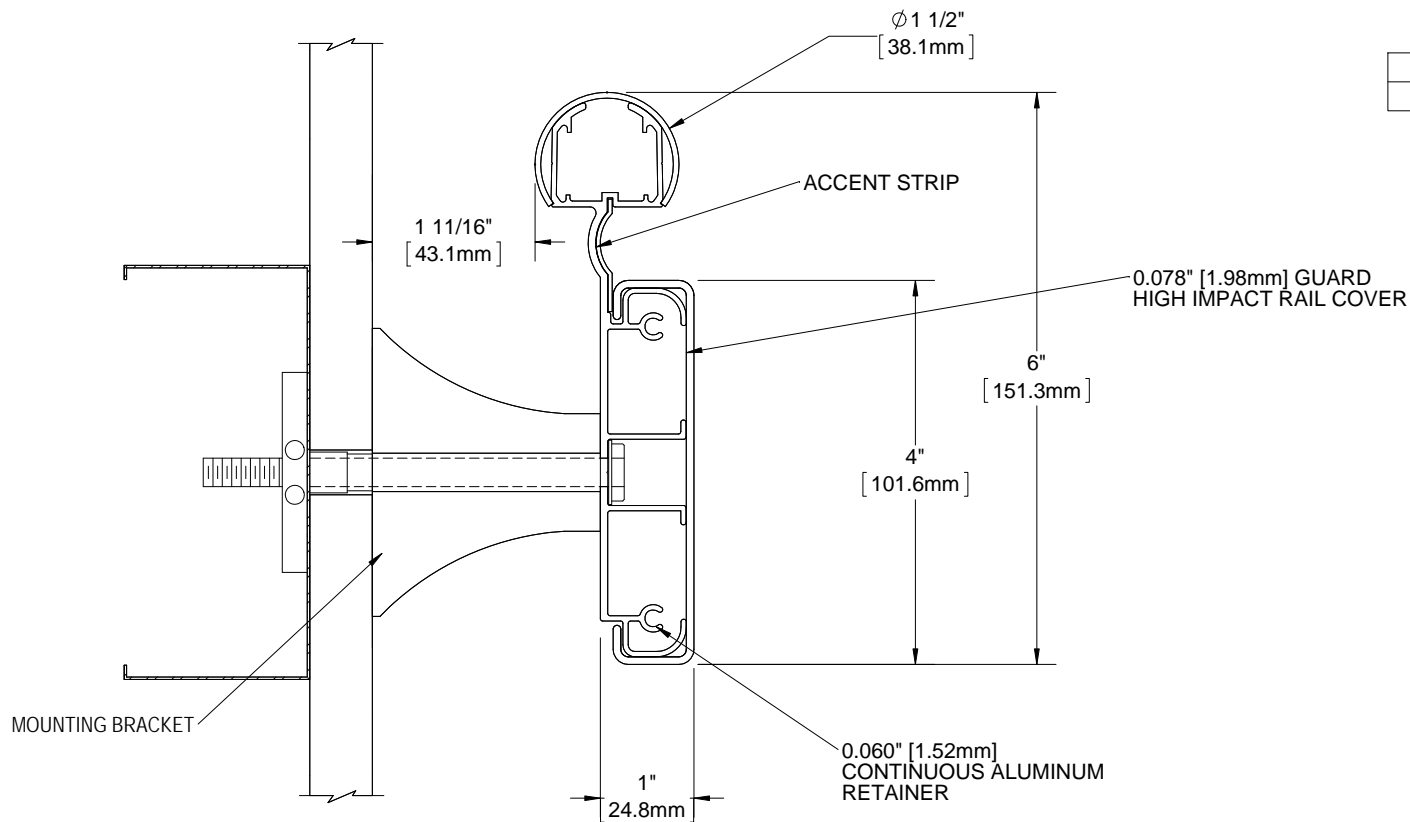



QUANTITY

COLOR



NOTES:

- PROFILE:** HIGH IMPACT VINYL ACRYLIC EXTRUSION LOCKED IN PLACE, NOMINAL 0.078" (1.98mm) THICK
- CLASS A FIRE RATING, TESTED TO ASTM E84
- RETAINER:** CONTINUOUS 6063 T-5 ALUMINUM RETAINER, NOMINAL 0.060" (1.52mm) THICK
- EXTRUSION:** PEBBLE GRAIN FINISH WHICH CONTAINS EPA REGISTERED MICRO-CHEK ANTIMICROBIAL AGENT
- VINYL HANDRAIL LENGTH:** PROVIDED IN 20' CONTINUOUS SECTIONS
- RIGHT RETURN: #HRVE6C-AS-RR, LEFT RETURN: #HRVE6C-AS-LR, OUTSIDE CORNER: #HRVE6C-AS-OC, SPLICE KIT: #HRVE6C-AS-SK
- FASTENERS AND PARTITION COMPONENTS PROVIDED BY OTHERS.

PROJECT:			
ARCHITECT:			
CONTRACTOR:			
 9300 73rd Avenue North Minneapolis, MN 55428		TITLE:	
		6" VINYL HANDRAIL WITH ACCENT STRIP CONTINUOUS RETAINER	
NAME	DATE	SIZE	DWG. NO.
DRAWN MDS	03MAY13	A	HRVE6C-AS
RELEASED	PGE	10MAY13	WEIGHT: 1.81 lbs/ft
			REV A
			SHEET 1 OF 1