

9300 73<sup>rd</sup> Ave N.  
Brooklyn Park, MN 55428

Free Phone: 800•547•2635  
Free Fax: 800•317•8770



Right to site.

Direct Phone: 763•488•9200  
Direct Fax: 763•488•9201

e-mail: info@nystrom.com  
www.nystrom.com

## INSTALLATION INSTRUCTIONS HS SERIES ACCESS DOORS

Series HS door has an exposed 2" flange.

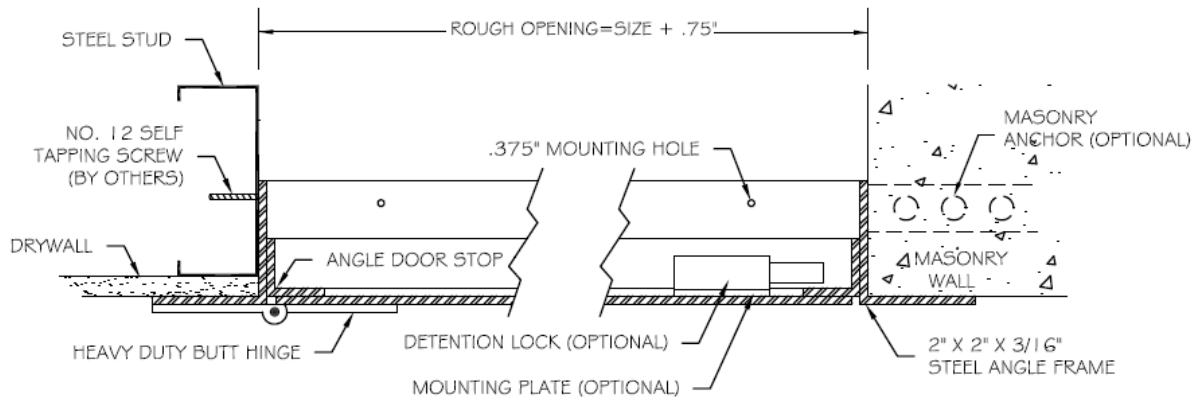
Door size plus  $\frac{3}{4}$ ". ie: for 12"x12" door, rough opening should be 12- $\frac{3}{4}$ " x12- $\frac{3}{4}$ ".

Place door into opening. Flange should butt firmly against drywall ceiling.

With door in open position, provide anchor attachments through predrilled holes in frame into framing material. (Attachment hardware is not included). For masonry or concrete use expansion anchors.

Check door for freedom of movement. Shim frame to adjust to square.

For maximum resistance to corrosion, latex or enamel paint should be applied.



ACCESS PANELS

FLOOR HATCHES

ROOF HATCHES

SMOKE VENTS

LOUVERS

ANCHORS

EXPANSION JOINT  
COVERS

**AIRLINE**  
L O U V E R S

**ITW Ramset/Red Head**  
Concrete Anchoring Systems