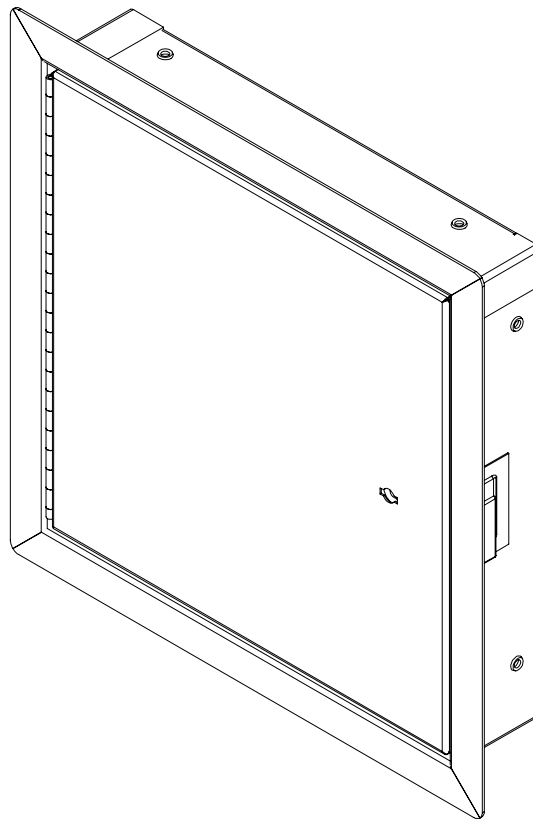




Insulated Fire-Rated Access Door

Model(s): IT/IW/IP



Warnock Hersey



Table of Contents

General Description.....3
 Installation.....4-7
 Operation.....8
 Maintenance.....8
 Parts List.....9
 Standard Warranty.....10
 Factory Assistance.....11

Copyright

2017 by Nystrom, Inc. All rights reserved.

This document contains proprietary information. No part of this document may be reproduced without the prior written consent of Nystrom, Inc.

Note

The information in this document is subject to change without notice.

General Safety Precautions

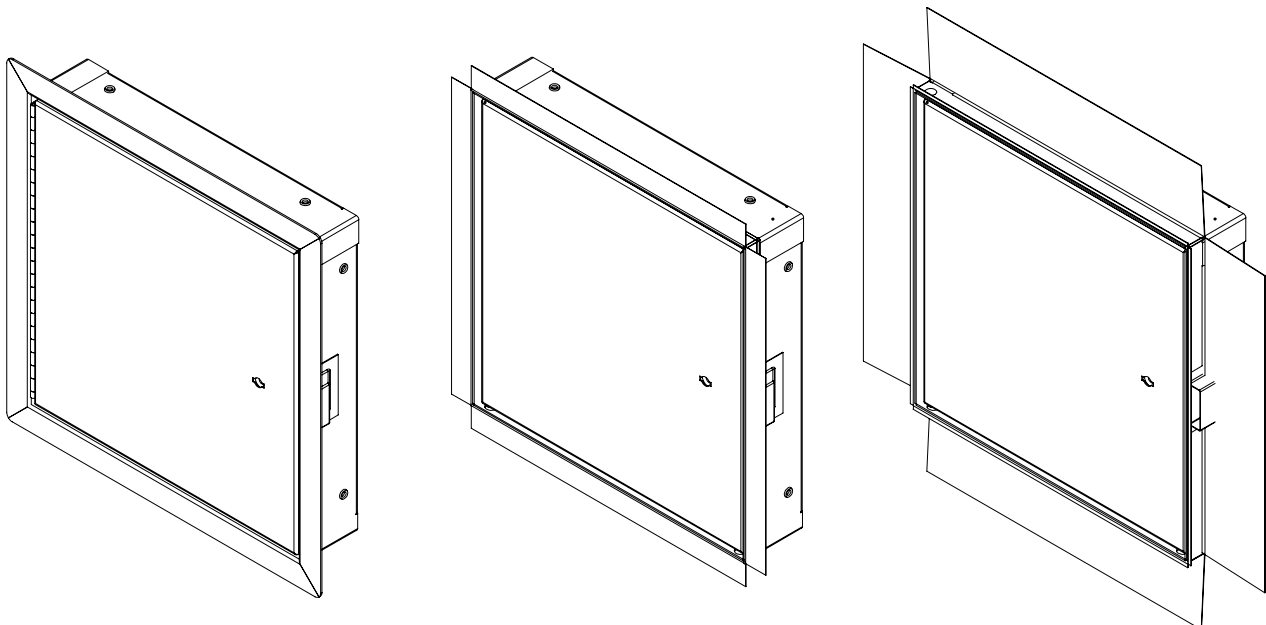
Improper selection, installation, or use can cause personal injury or property damage. It is solely the responsibility of the user, through its own analysis to select products suitable for their specific application requirements, ensure they are properly maintained, and limit their use to its intended purpose.

Follow proper local, state and federal regulations for proper installation and operation requirements.

GENERAL DESCRIPTION

Access Doors are designed and built for years of convenient and easy access to mechanical areas in commercial buildings.

The following is a general instruction for installing, operating and maintaining Access Doors. These are recommended general guidelines only. Locally accepted practices and procedures should be followed to ensure the ultimate durability of access doors installed into the various different types of construction.



STUD WALL INSTALLATION

Proper installation is critical to maintaining and withstanding the fire-ratings shown on the product label. When correctly installed, the door will close and latch when released from an open position of approximately 60°.

Tools Needed

5/32 Drill Bit and Drill
 Screwdriver

Supplies Needed

#12 Drywall Screws

Preparation

1. Install a framed opening at specified location of access door.
2. Opening dimensions should be 1/4 inch larger than catalog size of door, after wrapping studs with 5/8 inch type X (fire-resistant) gypsum board if necessary. Example: 12 inch by 12 inch door, opening should be 12-1/4 inches by 12-1/4 inches. ***A notched out area is required for the lock bolt cover.***

Installation (fig. 1)

1. Place door in opening and mark location of attachments on studding using holes in latch and hinge side of door frame as guides.
2. Remove door and drill 5/32 inch holes through studs at points marked for attachment hole.
3. Place door into position and fasten to wall as follows:

Wood Substrates	#12 X 1-1/4" drywall screws; minimum of 2 per side.
Steel Substrates	#12 x 1-1/8" drywall screws; minimum of 2 per side.

For panels utilizing a drywall bead flange (IW), screws should be fastened at 18 inches o.c. maximum through the flange face in addition to the pre-existing holes located on the inside of the frame.

4. Check door for freedom of movement. If it binds, shim to remove any racking of frame at attachment points.
5. Install springs per reference table, **pg. 9**. Self-closure of door is required for UL or Warnock-Hersey fire rating. Neglecting to install springs will void the fire-rating.

MASONRY WALL INSTALLATION

Proper installation is critical to maintaining and withstanding the fire-ratings shown on the product label. When correctly installed, the door will close and latch when released from an open position of approximately 60°.

Tools Needed

Drill Bit and Drill

Supplies Needed

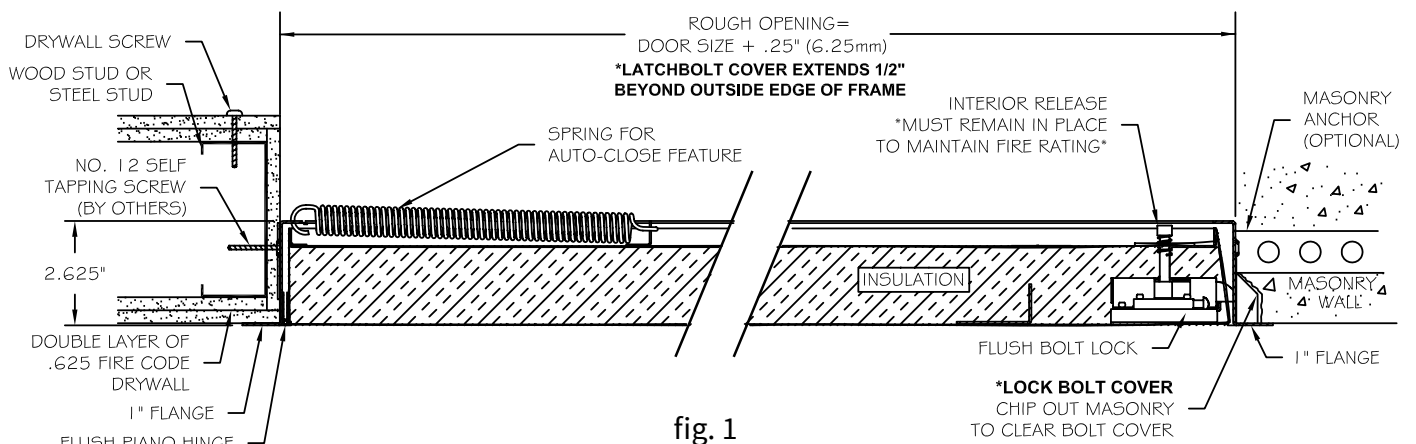
#10-32 x 1" flat-head steel machine screws

Preparation

Opening dimensions should be 1/4 inch larger than catalog size of door. Example: 12 inch by 12 inch door, opening should be 12-1/4 inches by 12-1/4 inches. **A notched out area is required for the lock bolt cover.**

Installation (fig. 1)

1. For new construction, unfold masonry anchors prior to fill.
2. Place door in opening and mark location of attachments on wall using holes in latch and hinge sides of door as guides.
3. Remove door and install expansion shields in wall at points marked.
4. Place door in position and attach with #10-32 x 1inch flat-head steel machine screws.
5. Check door panel for freedom of movement. If it binds, shim to remove any racking of frame at attachments.
6. Install springs per reference table, **pg. 9**. Self-closure of door is required for UL or Warnock-Hersey fire rating. Neglecting to install springs will void the fire-rating.



CEILING INSTALLATION

Proper installation is critical to maintaining and withstanding the fire-ratings shown on the product label. When correctly installed, the door will close and latch when released from an open position of approximately 60°.

Tools Needed

5/32 Drill Bit and Drill
 Screwdriver

Supplies Needed

#12 Drywall Screws

Preparation

1. Install a framed opening at specified location of access door.
2. Opening dimensions should be 1/4 inch larger than catalog size of door, after wrapping studs with 5/8 inch type X (fire-resistant) gypsum board if necessary. Example: 12 inch by 12 inch door, opening should be 12-1/4 inches by 12-1/4 inches. ***A notched out area is required for the lock bolt cover.***
3. Frame can be supported with 12 ga wire ties to ceiling structure at all four corners or plumbers tape attached from framing screws to studs of floor above for ease of installation, **fig. 3.**

Installation

1. Place door in opening and mark location of attachments on studding using holes in latch and hinge side of door frame as guides.
2. Remove door and drill 5/32 inch holes through studs at points marked for attachment hole.
3. Place door into position and fasten to wall as follows:

Wood Substrates	#12 X 1-1/4" drywall screws; minimum of 2 per side.
Steel Substrates	#12 x 1-1/8" drywall screws; minimum of 2 per side.

4. Check door for freedom of movement. If it binds, shim to remove any racking of frame at attachment points.
5. Install springs per reference table, **fig. 2.** Self-closure of door is required for UL or Warnock-Hersey fire rating. Neglecting to install springs will void the fire-rating.

CEILING INSTALLATION

Quantity of Springs	Spring Location		
	B	A	C
1	-	1	-
2	-	2	-
3	2	-	1
4	2	-	2
5	2	1	2
6	2	2	2

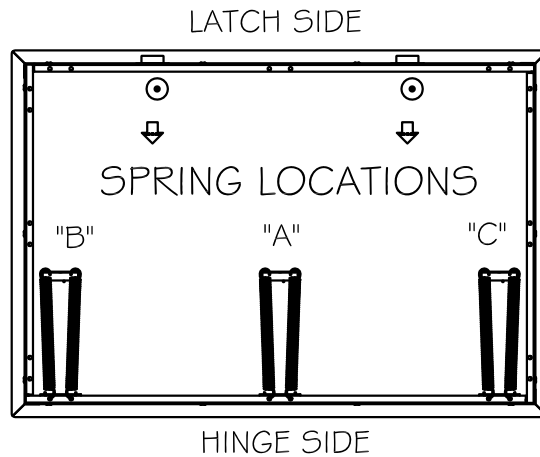


fig. 2

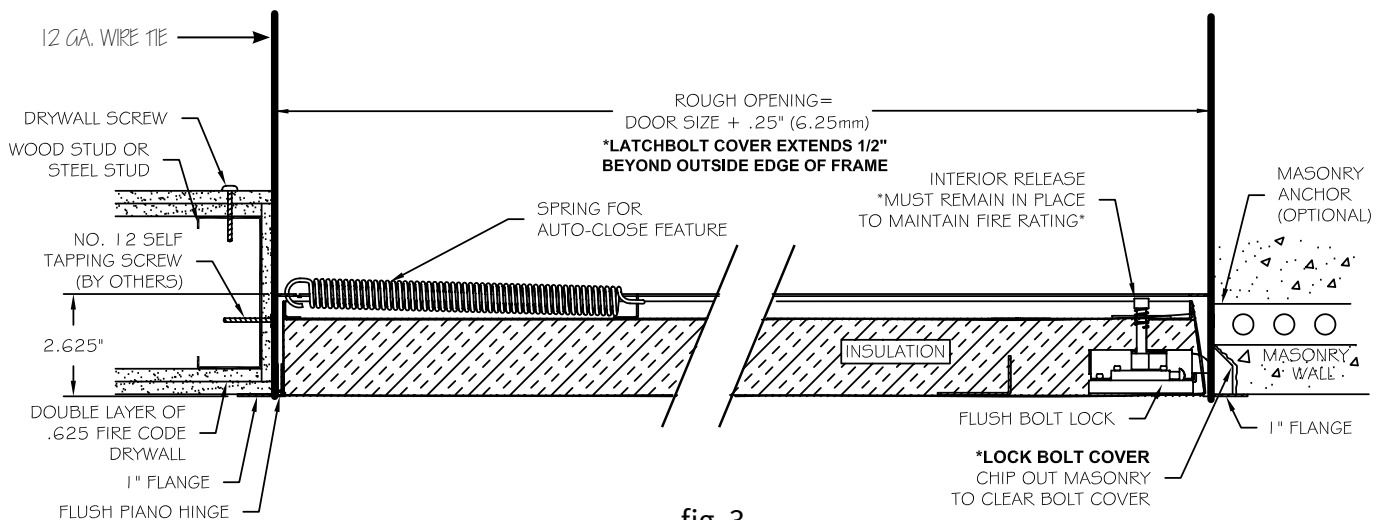


fig. 3

OPERATION

Access doors are designed and built for years of dependable wall or ceiling access. Our access doors come standard with a paintable, powder coat finish.

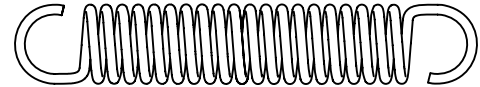
MAINTENANCE

- Access doors should be manually operated once a year to check performance.
- Lubricate moving parts such as hinges and latches with a silicone spray lube as required to maintain a smooth opening and closing of the door. Do not over grease. Do not use regular lubricating oil as it can attract dust and grit.
- Non-moving parts can be cleaned with a mild soap or dish washing detergent and water solution.

PARTS LIST

Part Number	Description
AD-KIT-SPRING-S	SHORT DOOR CLOSER SPRING, 3.64"
AD-KIT-SPRING-L	LONG DOOR CLOSER SPRING, 7.13"

Door Size	Spring Part Number	Spring Quantity	Bracket Quantity
08 X 08		1	1
10 X 10		1	1
12 X 12	AD-KIT-SPRING-S (Under 16" wide)	1	1
12 X 24		2	1
14 X 14		1	1
16 X 16		2	1
18 X 18		2	1
18 X 24		3	2
20 X 30		4	2
22 X 22		3	2
22 X 30		4	2
22 X 36		3	2
24 x 24	AD-KIT-SPRING-L (16" wide & larger)	4	2
24 x 30		5	3
24 x 36		6	3
24 X 48*		2	1
30 X 30*		1	1
32 X 32*		2	1
36 X 36*		2	1
36 X 48*		2	1
48 X 48*		3	2



*Wall applications only.

STANDARD WARRANTY

Nystrom warrants all Access Doors to be free from manufacturing defects in materials, factory finishes and workmanship for a period of one (1) year from the date of shipment. Should a product fail to function in normal use within this period, Nystrom shall furnish a replacement or new part at Nystrom's discretion. Failure to use product in methods consistent with Nystrom product manuals shall relieve Nystrom of any liability. Our liability under this warranty excludes installation or removal costs involved in the product replacement and excludes any responsibility for incidental or consequential damage of any nature.

For warranty support and registration please visit
www.Nystrom.com/support

FACTORY ASSISTANCE

Nystrom engineers and manufactures access doors for worldwide customers. Our products enable safe access to mechanical equipment. Recognized as an industry leader, Nystrom has been relied upon by building and construction professionals for over 50 years and we pride ourselves in offering exceptional technical support.

Please do not return any product before discussing your application problem with a Nystrom representative.

Your Nystrom representative is eager to help you. Please feel free to call your representative or contact Nystrom to discuss your application.

Nystrom
9300 73rd Avenue North
Minneapolis, MN 55428

Phone: 800.547.2635
Fax: 800.317.8770
Email: info@nystrom.com

Visit www.nystrom.com for the latest version of this document and more information.



9300 73rd Avenue North
Minneapolis, MN 55428

Phone (800) 547-2635
Fax (800) 317-8770

