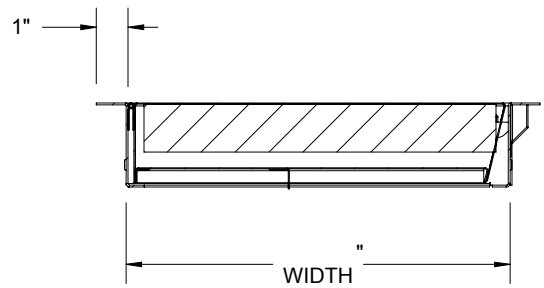


SECTION A-A



SECTION B-B

ROUGH OPENING: " X "

CLEAR OPENING: " X "

DEGREE OF OPENING: °

HORIZONTAL
 1 HR WOOD-FRAME CONSTRUCTION
 3 HR NON-COMBUSTABLE CONSTRUCTION
 ON SIZES UP TO AND INCLUDING 24" W X 36" H.

VERTICAL
 1-1/2 HOUR "B" LABEL

NOTES:

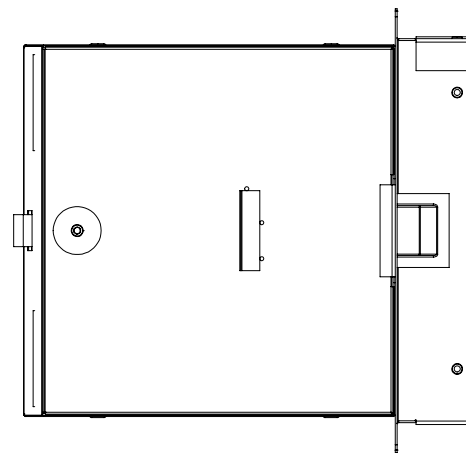
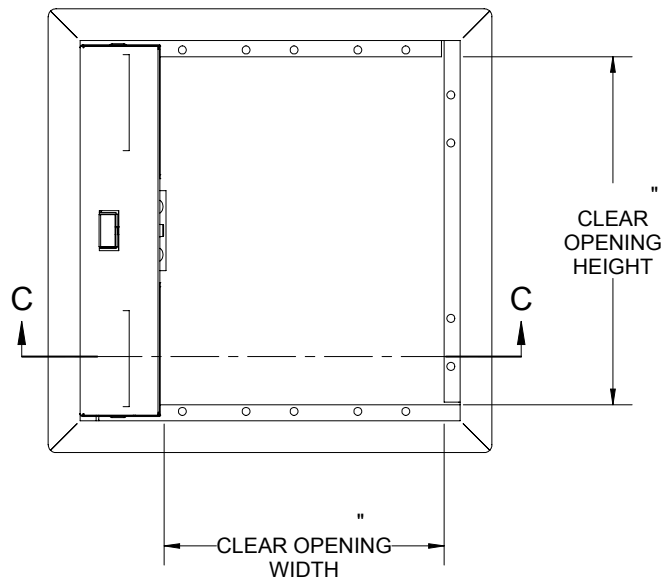
- ① **FRAME:**
- ② **DOOR:**
- ③ **FINISH:**
- ④ **HINGE:**
- ⑤ **SECONDARY LATCH:**
- ⑥ **LOCK:** Knurled Knob/Keyed Slam Latch
- ⑦ **INSULATION:** 2" Thick Fire Rated Mineral Wool, 8 R-Value



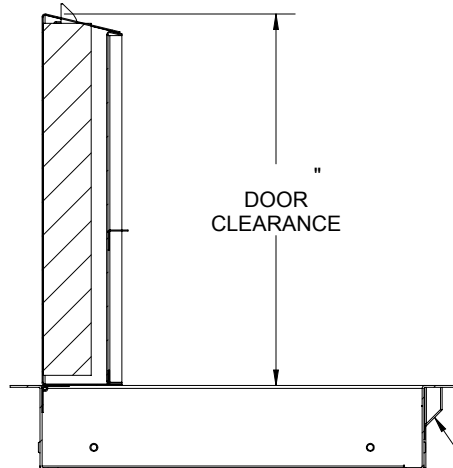
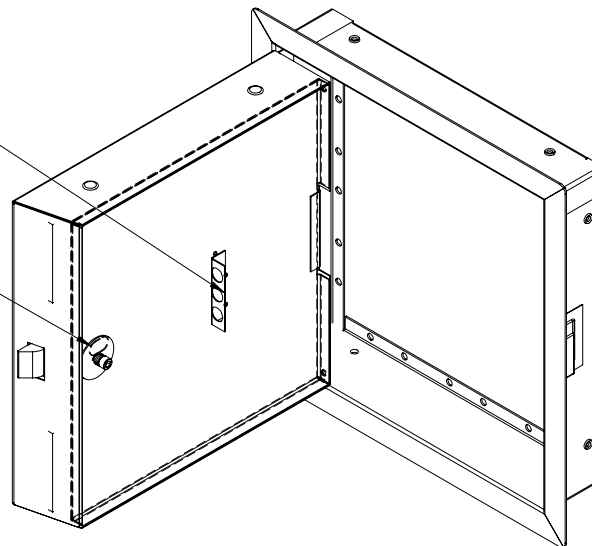
C **UL** US
 LISTED

PROJECT:			
ARCHITECT:			
CONTRACTOR:			
QTY:			
PART#:			
 9300 73rd Avenue North Minneapolis, MN 55428		TITLE:	
NAME	DATE	SIZE	DWG. NO.
DRAWN		A	
RELEASED		WEIGHT: VARIES	SHEET 1 OF 2

PROPRIETARY AND CONFIDENTIAL: THE INFORMATION CONTAINED IN THIS DRAWING IS THE SOLE PROPERTY OF NYSTROM. ANY REPRODUCTION IN PART OR AS A WHOLE WITHOUT THE WRITTEN PERMISSION OF NYSTROM IS PROHIBITED.



SPRING MOUNT BRACKET
 INTERIOR RELEASE MECHANISM



LATCH BOLT COVER
 EXTENDS 1/2" BEYOND
 OUTSIDE EDGE OF FRAME

PART#:		TITLE:		
 9300 73rd Avenue North Minneapolis, MN 55428		NAME	DATE	REV
		SIZE	DWG. NO.	-
DRAWN		A		
RELEASED		WEIGHT: VARIES		SHEET 2 OF 2