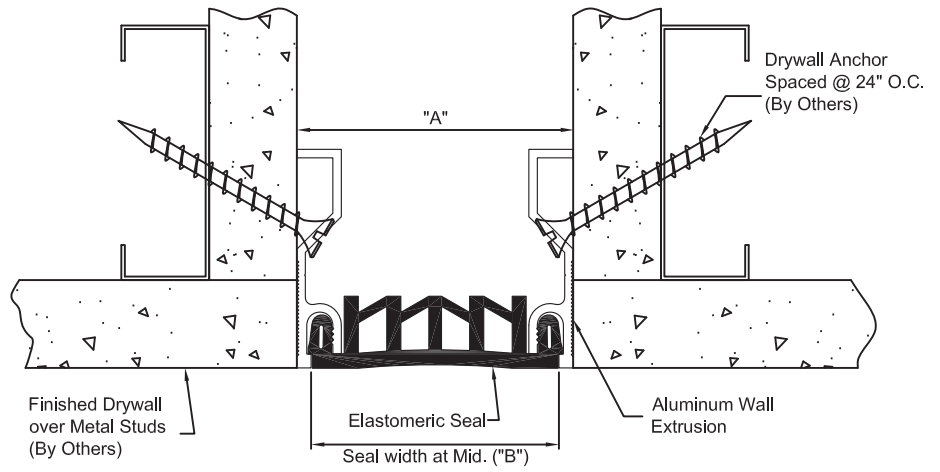


EJ-LCWF-100 DETAIL
WALL TO WALL CONDITION



EJ-LCWF-200 thru 300 DETAIL
WALL TO WALL CONDITION

() - Denotes Millimeters

Dimension Chart					
MODEL	"A" @ Min.	"A" @ Mid.	"A" @ Max.	Total Mv't	"B"
EJ-LCWF-100	3/4"(19)	1"(25)	1 1/4"(32)	1/2"(13)	25/32"(20)
EJ-LCWF-200	1 1/2"(38)	2"(51)	2 1/2"(64)	1"(25)	1 25/32"(45)
EJ-LCWF-300	2 1/4"(57)	3"(76)	3 3/4"(95)	1 1/2"(38)	2 25/32"(71)



9300 73RD AVENUE NORTH
MINNEAPOLIS, MN 55428

PH. (800) 547-2635
WWW.NYSTROM.COM