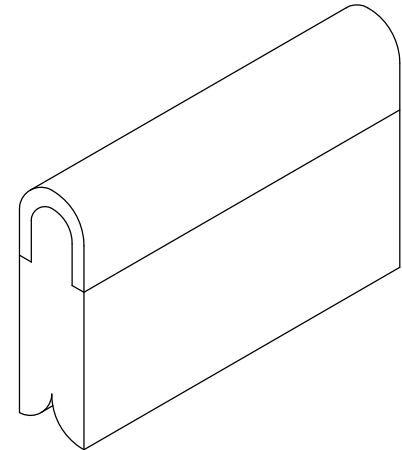


MES SERIES		
MODEL	JOINT NOMINAL	DEPTH
EJ-MES-050	1/2"	1 3/4"
EJ-MES-075	3/4"	1 3/4"
EJ-MES-100	1"	2 1/8"
EJ-MES-125	1 1/4"	2 1/4"
EJ-MES-150	1 1/2"	2 5/8"
EJ-MES-175	1 3/4"	2 3/4"
EJ-MES-200	2"	3"
EJ-MES-225	2 1/4"	3 1/8"
EJ-MES-250	2 1/2"	3 3/8"
EJ-MES-275	2 3/4"	3 3/8"
EJ-MES-300	3"	3 1/2"
EJ-MES-325	3 1/4"	4 3/8"
EJ-MES-350	3 1/2"	4 1/2"
EJ-MES-375	3 3/4"	4 5/8"
EJ-MES-400	4"	4 3/4"

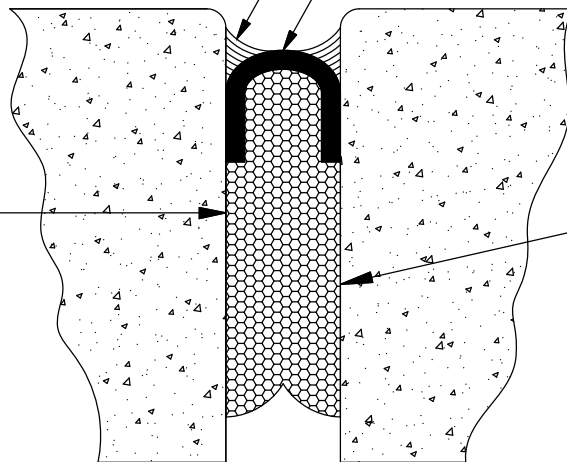


FIELD-APPLIED SEALANT BAND AND CORNER BEAD (MINIMUM 7 DAY CURE REQUIRED BEFORE SUBMERGING)

WATERTIGHT FACTORY-APPLIED SILICONE BELLOWS

EPOXY ADHESIVE BOTH SIDES OF GAP

WATER-BASED, ACRYLIC-INFUSED EXPANDING FOAM ANCHORING SYSTEM




DECK TO DECK

MES SERIES COLORS
Dow 748 White

**MES Product Notes**

1. Watertight Joint System for Continuous Immersion in Chlorinated, Saline, Potable or Wastewater Environments
2. Joint movement capability is + 25% and - 25% (50% total) of nominal material size

CUSTOMER:			
JOB REF:			
LOCATION:			
QTY:			
		TITLE:	
9300 73rd Avenue North Minneapolis, MN 55428		EJ-MES SERIES, EJ Seal, Int/Ext, Floor to Floor, Compression, Thermal, 6.56 FT Lengths	
NAME	DATE	SIZE	DWG. NO.
DKL	1/27/15	A	EJ-MES SERIES
RELEASED	GN	1/27/15	WEIGHT:
			SHEET 1 OF 1