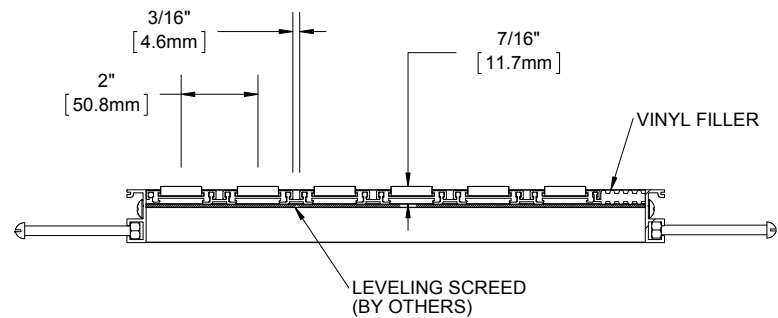
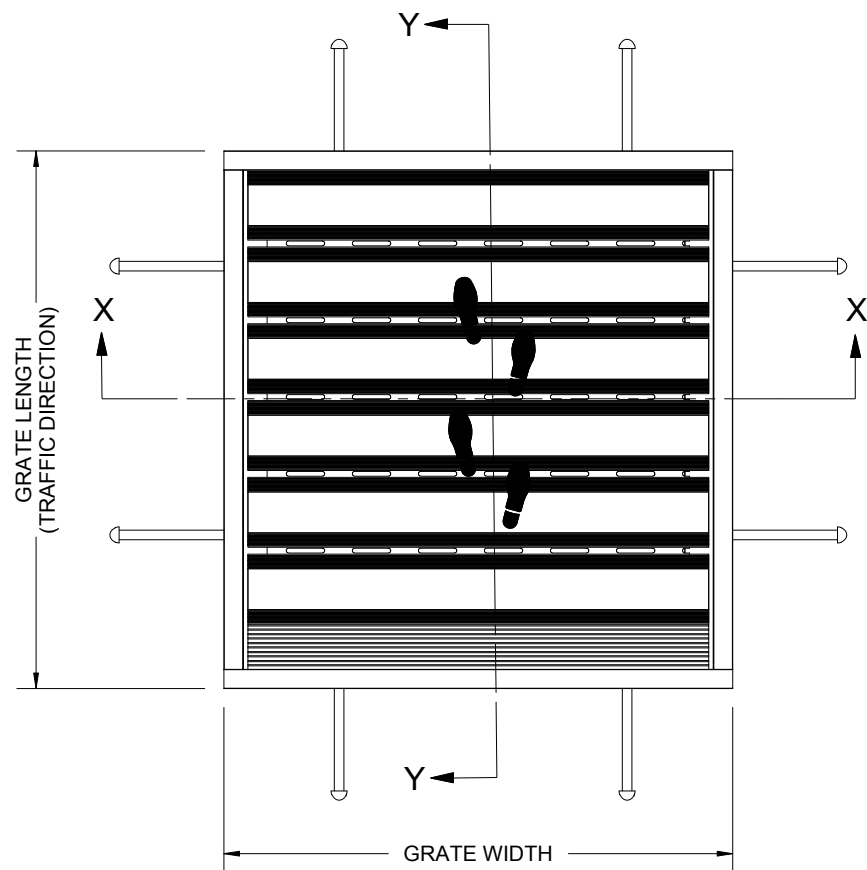


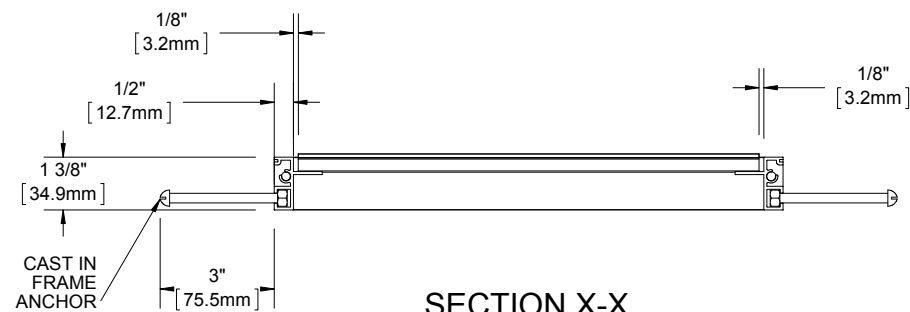
\*MQ38P PREMIUM CARPET INSERT    \*MQ38R RUGGED SCRUB INSERT    \*MQ38E ECOTREAD INSERT    \*MQ38U RIBBED RUBBER INSERT    \*MQ38V VINYL INSERT    MQ38G ABRASIVE VINYL INSERT    \*MQ38B BRUSH INSERT    \*MQ38A SERRATED RAIL    MQ38X Poured ABRASIVE

QTY	MODEL	WIDTH	LENGTH	FINISH	LOCATION

B



SECTION Y-Y



SECTION X-X

**NOTES:**

- STANDARD MAXIMUM SECTION SIZE OF GRATE/MAT WIDTH NOT TO EXCEED 10'-0" UNLESS OTHERWISE SPECIFIED
- FRAME ANCHOR SPACING: 6" FROM CORNERS, 24" MAX
- VERIFY TRAFFIC DIRECTION AND THAT SECTIONING DOES NOT OCCUR IN A TRAFFIC LANE
- ALL RAIL COMPONENTS ARE MADE OF 6063-T6 ALUMINUM ALLOY, ALL FRAME COMPONENTS ARE MADE OF 6063-T6 ALUMINUM ALLOY (NOT APPLICABLE WITH VINYL SURFACE MOUNT FRAME)
- TREAD RAILS MUST RUN PERPENDICULAR TO TRAFFIC DIRECTION
- TRIM THE FILLER PROVIDED TO ENSURE A TIGHT FIT IN THE TRAFFIC DIRECTION (NOT APPLICABLE WITH VINYL SURFACE MOUNT FRAME)
- GRATE DIMENSION ALLOWS FOR CLEARANCE BETWEEN GRATE SECTIONS AND FRAMES IN THE WIDTH DIMENSION
- ADDITIONAL INFORMATION CAN BE FOUND IN THE PRODUCT SPECIFICATION AND IS CONSIDERED PART OF THIS TRANSMITTAL.
- FRAME PART NUMBER: FQ38LBC

\* AVAILABLE IN ALTERNATING TREADS, NOT ALL COMBINATIONS OFFERED, CHECK WITH FACTORY REP

PROPRIETARY AND CONFIDENTIAL: THE INFORMATION CONTAINED IN THIS DRAWING IS THE SOLE PROPERTY OF NYSTROM. ANY REPRODUCTION IN PART OR AS A WHOLE WITHOUT THE WRITTEN PERMISSION OF NYSTROM IS PROHIBITED.

PROJECT:				
ARCHITECT:				
CONTRACTOR:				
			DESCRIPTION:	
9300 73rd Avenue North Minneapolis, MN 55428			QuietFLEX®, 3/8", Aluminum, LDPE Hinge, Roll-up Mat with Cast in Place, Level Bed, Aluminum Frame	
NAME	DATE	SIZE	DWG. NO.	
DKL	4/13/15	A	MQ38-FLBC	
RELEASED	PE	4/13/15	SCALE: NTS	SHEET 1 OF 1
				REV B