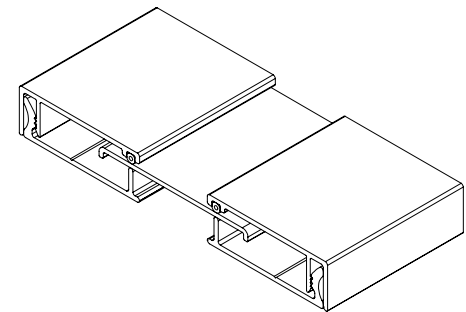
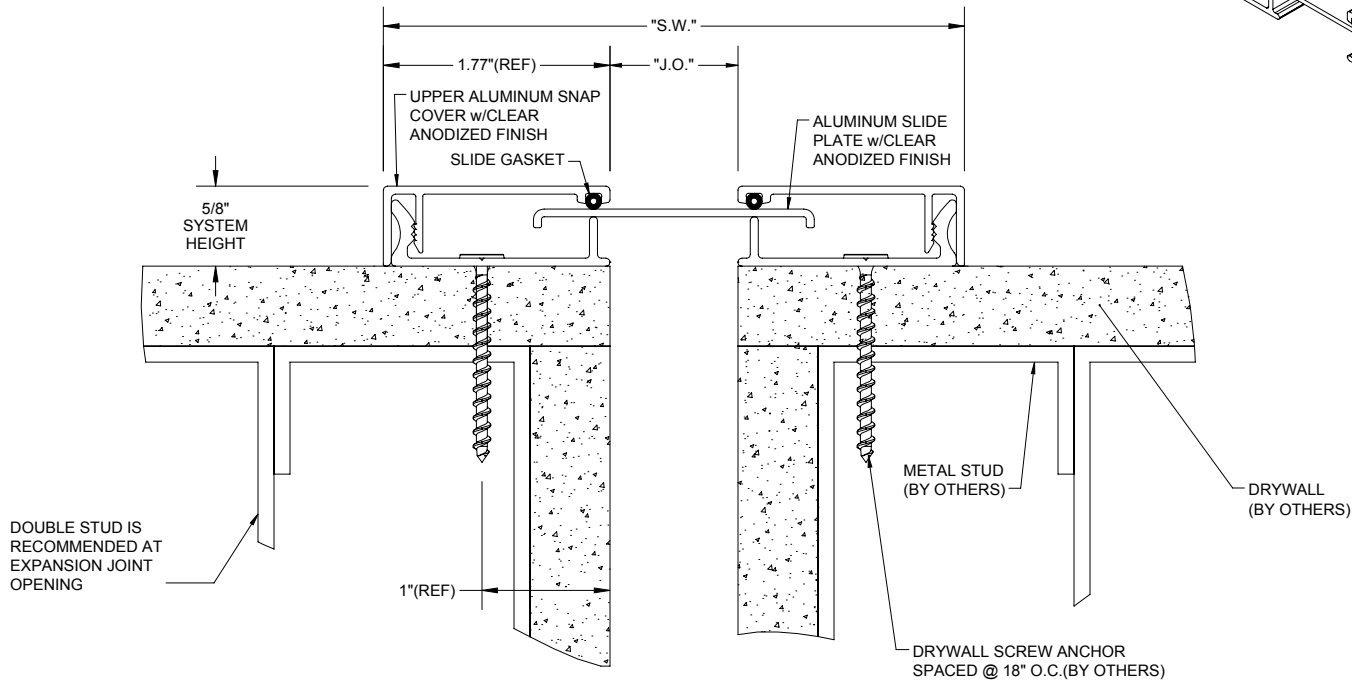


B


B



A

A

Dimension Chart										
Model	Joint Opening (J.O.)						Total Movement		S.W.	
	At Install		Allow Min.		At Max		inches	mm	inches	mm
	inches	mm	inches	mm	inches	mm				
EJ-NBW-100	1	25	1/2	13	1 1/2	38	1	25	5	127
EJ-NBW-200	2	51	1	25	3	76	2	51	6	152

PROJECT:			
ARCHITECT:			
CONTRACTOR:			
QTY:			
PART#:		EJ-NBW	
		TITLE: EJ COVER, INTERIOR WALL TO WALL SURFACE MOUNT, ALUMINUM	
		9300 73rd Avenue North Minneapolis, MN 55428	
NAME	DATE	SIZE	DWG. NO.
DRAWN	SGS	11/20/2013	A
RELEASED	DS	11/20/2013	EJ-NBW ShpDr
WEIGHT:		SHEET 1 OF 1	

PROPRIETARY AND CONFIDENTIAL: THE INFORMATION CONTAINED IN THIS DRAWING IS THE SOLE PROPERTY OF NYSTROM. ANY REPRODUCTION IN PART OR AS A WHOLE WITHOUT THE WRITTEN PERMISSION OF NYSTROM IS PROHIBITED.