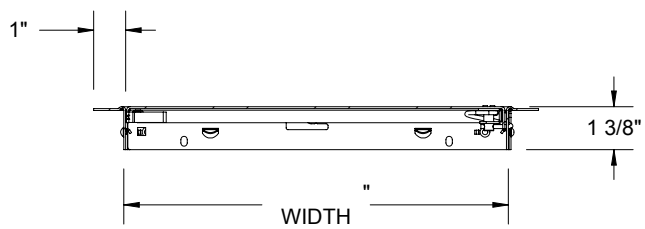
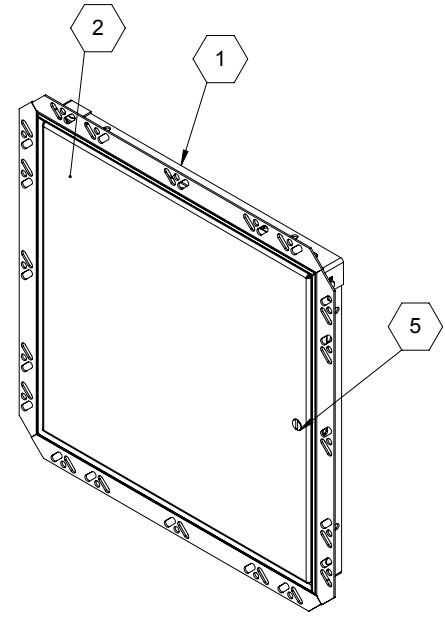


SECTION A-A



SECTION B-B

ROUGH OPENING: " X " "
 CLEAR OPENING: " X " "
 DEGREE OF OPENING: ° "
 CAM QTY: Latch Side
 Top/Bottom Side

NOTES:

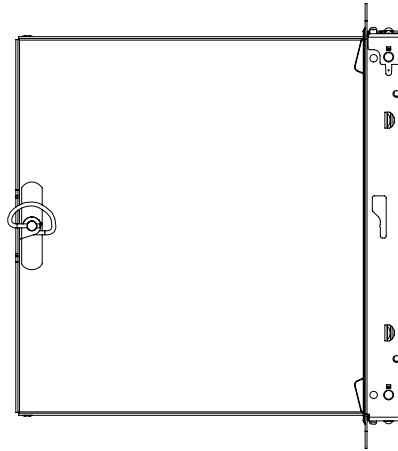
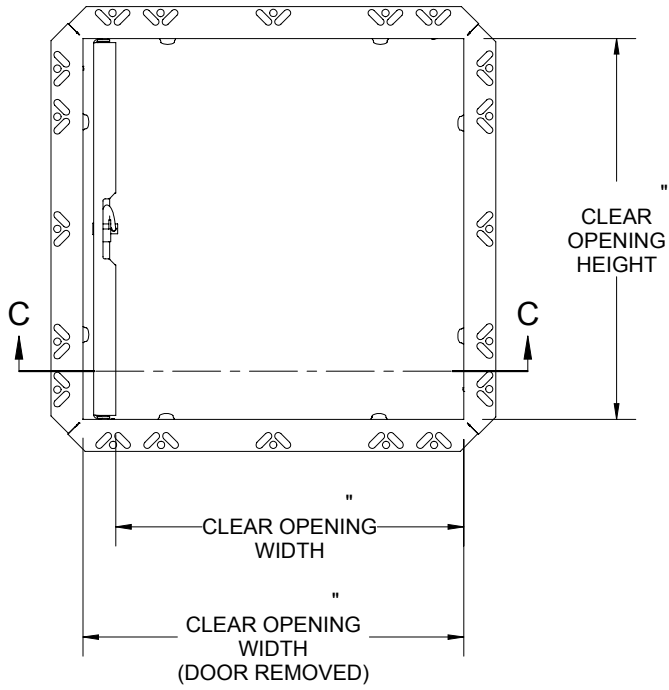
- ① **FRAME:** 16 Ga Steel, 1" Drywall Bead
- ② **DOOR:** 16 Ga Steel
- ③ **FINISH:** White Pwd
- ④ **HINGE:**
- ⑤ **LATCH:**

PROPRIETARY AND CONFIDENTIAL: THE INFORMATION CONTAINED IN THIS DRAWING IS THE SOLE PROPERTY OF NYSTROM. ANY REPRODUCTION IN PART OR AS A WHOLE WITHOUT THE WRITTEN PERMISSION OF NYSTROM IS PROHIBITED.

PROJECT:			
ARCHITECT:			
CONTRACTOR:			
QTY:			
PART#:		TITLE:	
 9300 73rd Avenue North Minneapolis, MN 55428			
NAME	DATE	SIZE	DWG. NO.
DRAWN		A	
RELEASED			
			REV -
			SHEET 1 OF 2

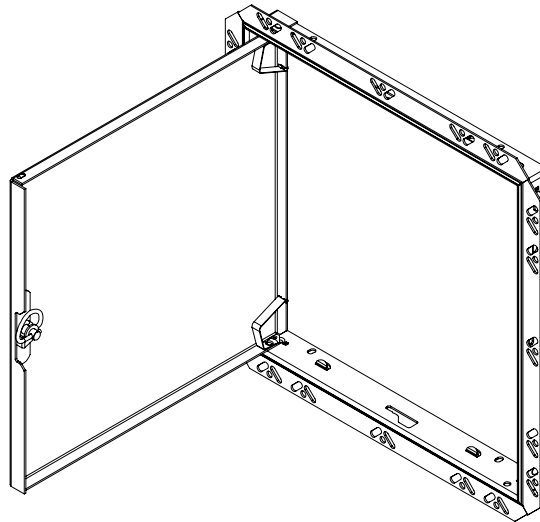
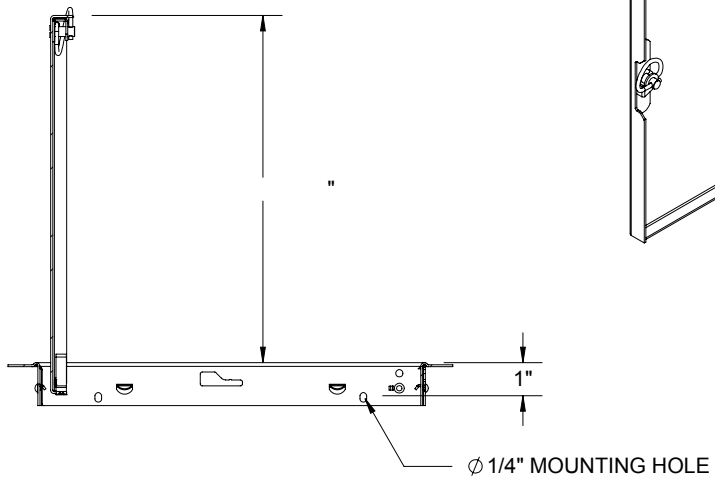
B

B



A

A



PART#:			TITLE:		
nystrom			9300 73rd Avenue North Minneapolis, MN 55428		
NAME	DATE	SIZE	DWG. NO.	REV	
DRAWN		A		-	
RELEASED				SHEET 2 OF 2	