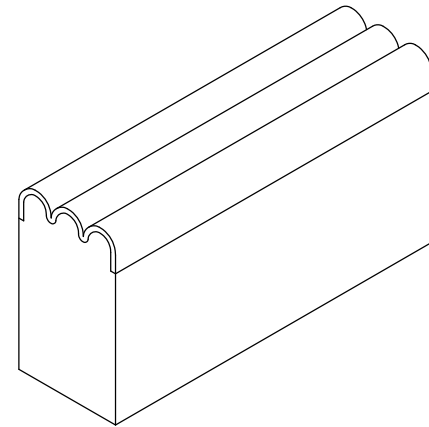


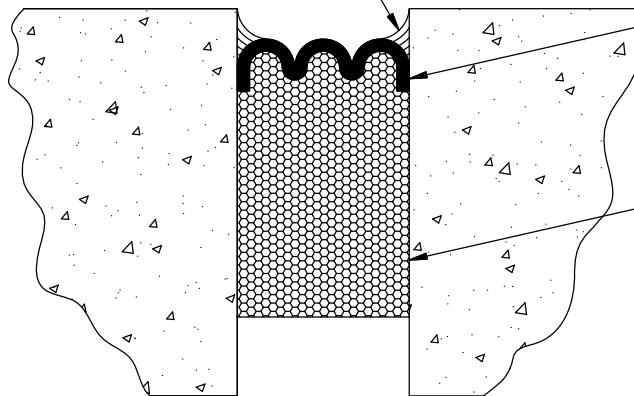
PES SERIES		
MODEL	JOINT NOMINAL	DEPTH
EJ-PES-050	1/2"	1 1/2"
EJ-PES-075	3/4"	1 1/2"
EJ-PES-100	1"	1 3/4"
EJ-PES-125	1 1/4"	2 1/4"
EJ-PES-150	1 1/2"	2 3/8"
EJ-PES-175	1 3/4"	2 3/8"
EJ-PES-200	2"	2 1/2"
EJ-PES-225	2 1/4"	2 1/2"
EJ-PES-250	2 1/2"	2 3/4"
EJ-PES-275	2 3/4"	3"
EJ-PES-300	3"	3 1/2"
EJ-PES-350	3 1/2"	3 3/4"
EJ-PES-400	4"	4 3/4"
EJ-PES-500	5"	5 1/2"
EJ-PES-600	6"	6"
EJ-PES-700	7"	7"
EJ-PES-800	8"	8"



FIELD APPLIED SEALANT BAND AND CORNER BEAD

FACTORY APPLIED & CURED SILICONE BELLOWS WEATHER FACING

WATER-BASED, ACRYLIC-INFUSED EXPANDING FOAM ANCHORING SYSTEM



WALL TO WALL

PES SERIES COLORS	
DOW 790	PECORA 890NST
Limestone	Tru White
Gray	Precast
Black	Beige
White	Limestone
Bronze	Sandstone
Sandstone	Black
Charcoal	Red Rock
Precast White	Anodized Aluminum
Dusty Rose	Aluminum Stone
Rustic Brick	Natural Stone
Blue Spruce	Charcoal Gray
Natural Stone	Classic Bronze
Adobe Tan	Hartford Green

PES Product Notes

1. Silicone-coated, pre-compressed, primary and secondary seal in vertical-plane wall joints in virtually any substrate
2. Sizes under 1 1/2" (40mm) are manufactured with a single bellows. Larger sizes incorporate multiple bellows.
3. Joint movement capability is + 25% and - 25% (50% total) of nominal material size.

CUSTOMER:				
JOB REF:				
LOCATION:				
QTY:				
<p>9300 73rd Avenue North Minneapolis, MN 55428</p>		TITLE: EJ-PES SERIES, EJ Seal, Foam, Wall to Wall, Compression, Thermal 6.56 FT Lengths		
NAME	DATE	SIZE	DWG. NO.	REV
DRAWN	DKL	1/23/15	A	EJ-PES SERIES
RELEASED	GN	1/23/15	WEIGHT:	SHEET 1 OF 1