

Tools Required



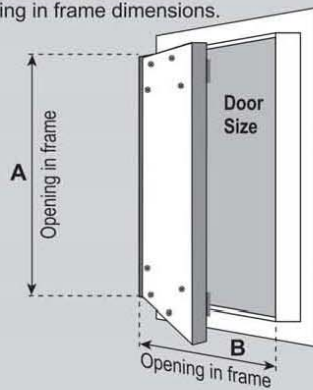
Measuring and cutting the rough opening:

- 1 Determine the location for the Access Panel and note the position of studs or joists.
- 2 Measure the **inside** dimensions of the frame (not the door). Add $\frac{3}{8}$ " (9.5mm) to each dimension.

Frame (shown with hatch open)

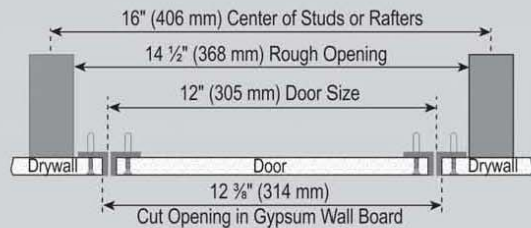
Door Size is opening in frame dimensions.

A and B are the dimensions of opening in the frame

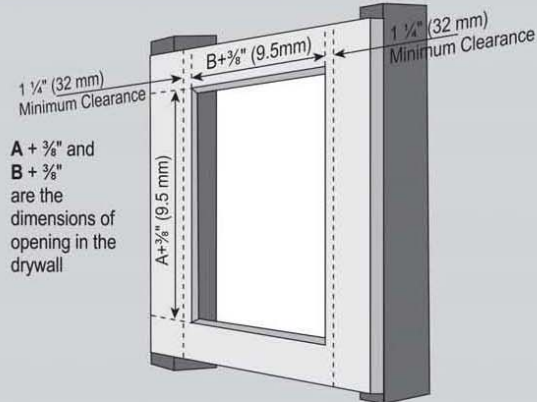


Standard ceiling and walls -stud or joists at 16" (406 mm) center

The illustration below shows the maximum size of the frame that fits between joists or studs on standard center.

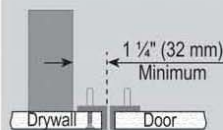


Opening in gypsum wall board

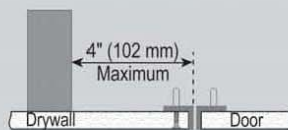


A + $\frac{3}{8}$ " and B + $\frac{3}{8}$ " are the dimensions of opening in the drywall

Minimum clearance to studs from cut opening



Maximum clearance to studs from cut opening

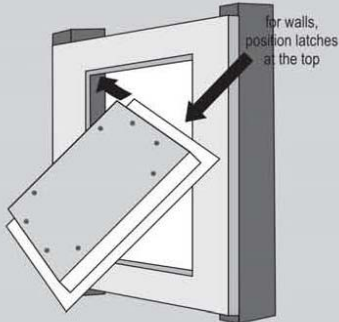


- 3 Mark a pair of base lines 90° to each other on the ceiling or wall where the hole will be. These must be a **minimum** of $\frac{1}{4}$ " (32 mm) and a **maximum** of 4" (102 mm) away from a stud or joist. Mark the opposite sides using the dimensions in Step 2. Accurate marking is very important and make sure that the lines are square.
- 4 Cut the opening with a knife, saw or drywall cutter. Make sure the edges are clean.

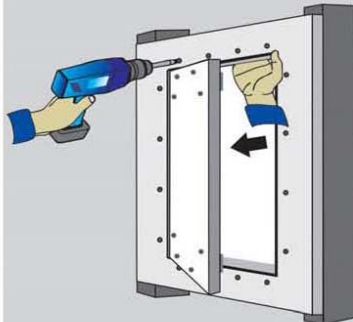
Please Note: Check to make sure frame is square before installing all the screws to insure proper operation of the door.

Important: This panel can be installed in the wall right or left handed or so the panel tips out to open. If the panel is going into the ceiling, Please install the latches away from the wall for easier operation .

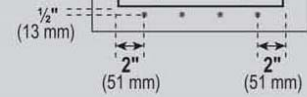
1 Pass the Access Panel through the opening and pull firmly back after opening hatch.



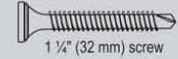
2 Screw through the drywall into the frame of the Access Panel. The maximum distance between screws is 4" (102 mm).



Minimum one screw per 4"



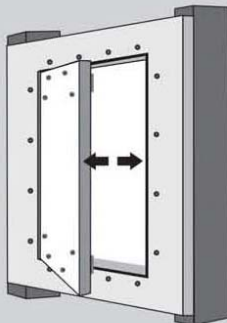
Recommended screw



Safety cap



3 Test the door opens correctly. Apply drywall compound.



4 Clean the frame and the door with a damp cloth.



5 Install safety cable.

