

Tools Required

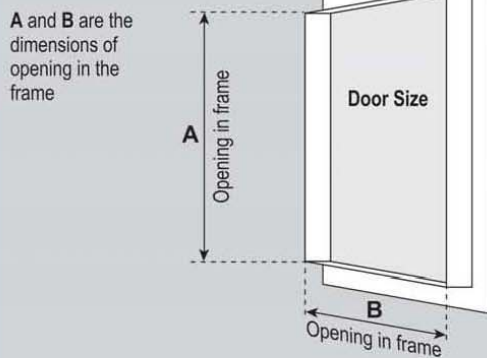


Measuring and cutting the rough opening:

- 1 Determine the location for the Access Panel and note the position of studs or joists.
- 2 Measure the **inside** dimensions of the frame (not the door). Add $\frac{3}{8}$ " (9.5mm) to each dimension.

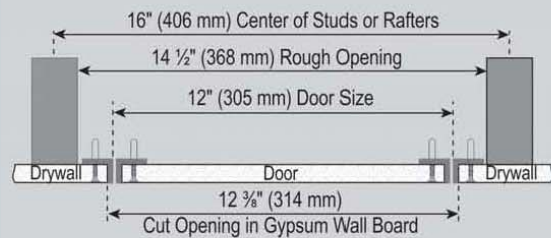
Frame (shown with door removed)

Door Size is opening in frame dimensions.

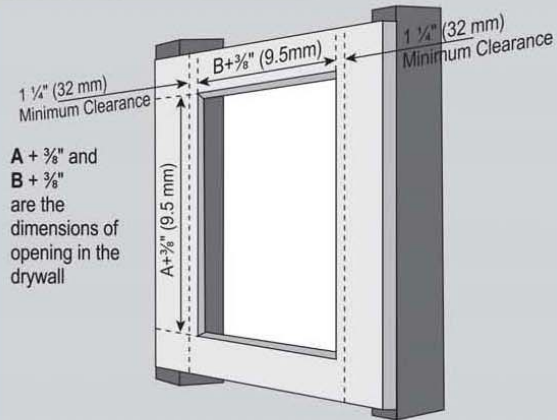


Standard walls -stud or joists at 16" (406 mm) center

The illustration below shows the maximum size of the frame that fits between joists or studs on standard center.

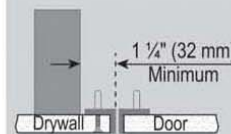


Opening in gypsum wall board

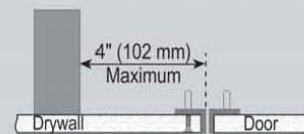


$A + \frac{3}{8}$ " and $B + \frac{3}{8}$ " are the dimensions of opening in the drywall

Minimum clearance to studs from cut opening



Maximum clearance to studs from cut opening



- 3 Mark a pair of base lines 90° to each other on the ceiling or wall where the hole will be. These must be a **minimum** of $1 \frac{1}{4}$ " (32 mm) and a **maximum** of 4" (102 mm) away from a stud or joist. Mark the opposite sides using the dimensions in Step 2. Accurate marking is very important and make sure that the lines are square.
- 4 Cut the opening with a knife, saw or drywall cutter. Make sure the edges are clean.

Please Note: The door hatch should be removed from the Access Panel and the frame fitted on its own.

For larger Access Panels, it is recommended that the door is put in place before applying tile to check that the frame is square and will open and close properly after installation.

Important: When the Access Panel is being fitted into a wall, position the unit with the latches at the **top**.

