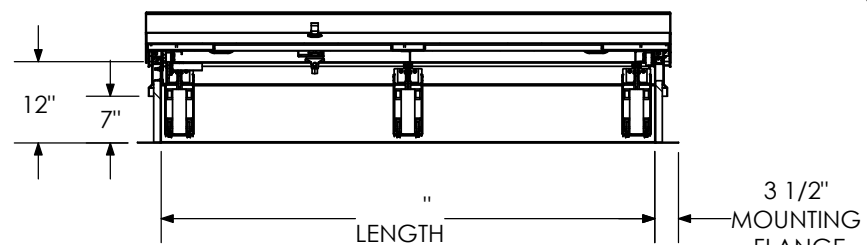
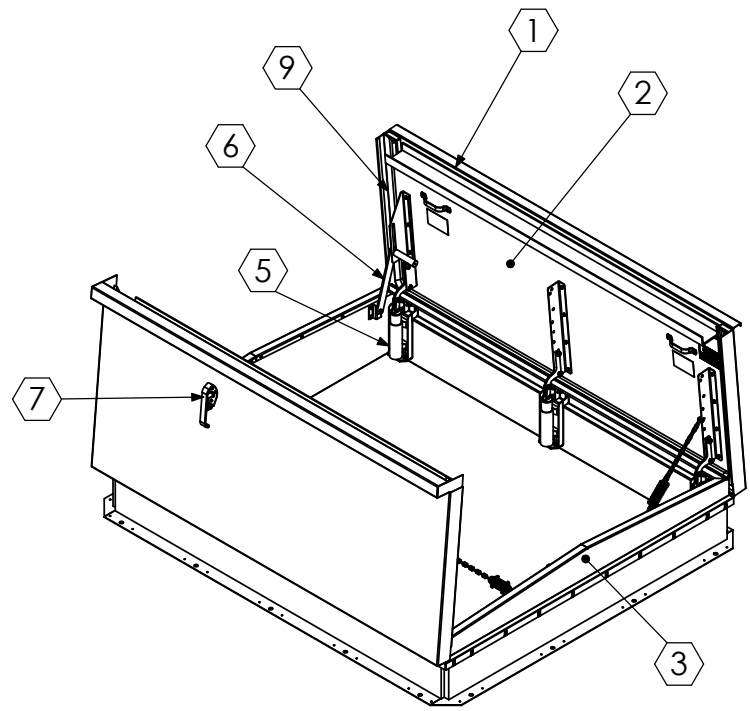


SECTION A-A



SECTION B-B

SPECIFICATIONS:

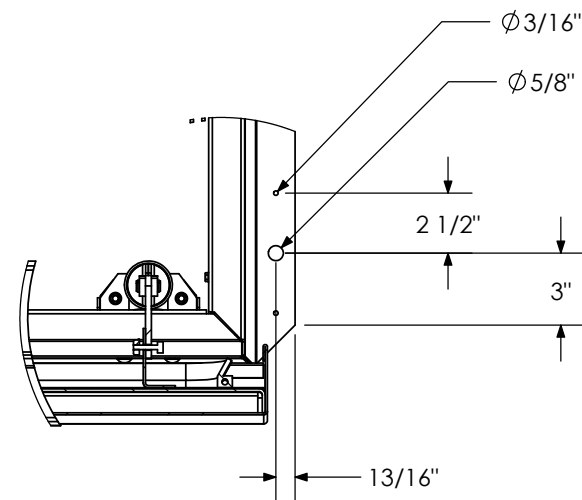
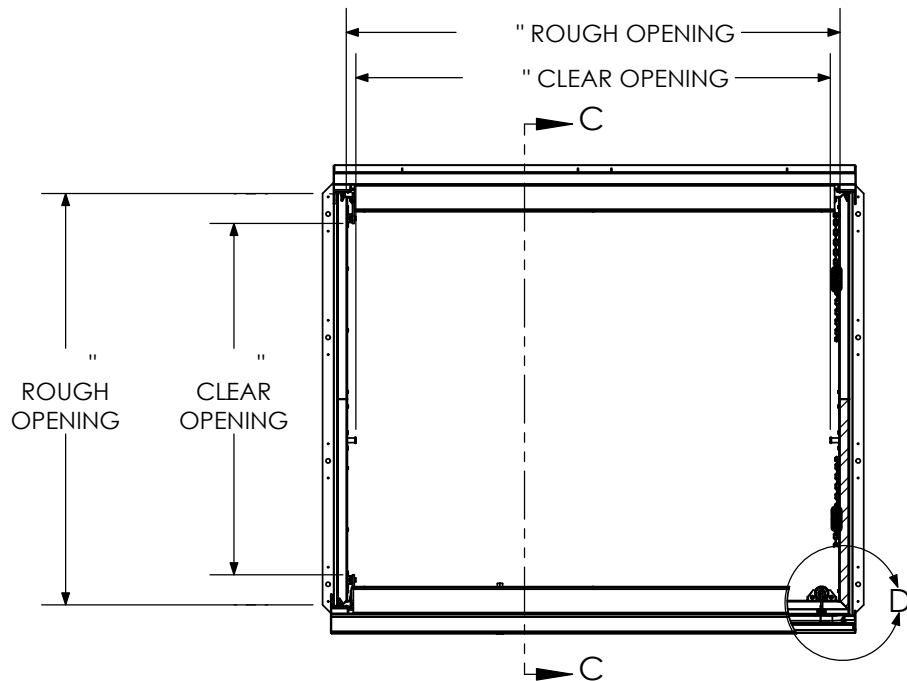
- ① **COVER:** 11 GA ALUM COVER STIFFENED TO WITHSTAND A LIVE LOAD OF 40PSF WITH A MAX DEFLECTION OF 1/150 OF THE SPAN
- ② **LINER:** 18 GA ALUM
- ③ **CURB AND COUNTERFLASH W/ EZ TAB:**
11 GA ALUM
- ④ **FINISH:** MILL FINISH
- ⑤ **SPRING/HINGE ASSEMBLY:** ZINC PLATED STEEL TAMPER-PROOF HINGE CONTAINED WITHIN SPRING/HINGE ASSEMBLY. TELESCOPIC TUBES CONTAIN COIL STEEL COMPRESSION SPRINGS FOR LIFT ASSISTANCE
- ⑥ **HOLD OPEN ARM:** LOCKS COVER IN FULLY OPEN POSITION
ZINC PLATED STEEL WITH RED VINYL GRIP HANDLE PULL RELEASE
- ⑦ **LATCH:** 2 POINT ROTARY LATCH LATCH HOLDS COVER CLOSED AGAINST 20PSF WIND UPLIFT. INTERNAL AND EXTERNAL TURN HANDLES WITH PADLOCK HASPS

- ⑧ **INSULATION:**
1" POLYSTYRENE (R4) IN COVER, AND 1" POLYISO (R6) IN CURB
- ⑨ **GASKET:** ADHESIVE BACKED EPDM RUBBER EXTRUSION
10 WIDTH DIMENSION IS MEASURED HINGE TO HINGE
LENGTH DIMENSION IS MEASURED HINGED SIDE

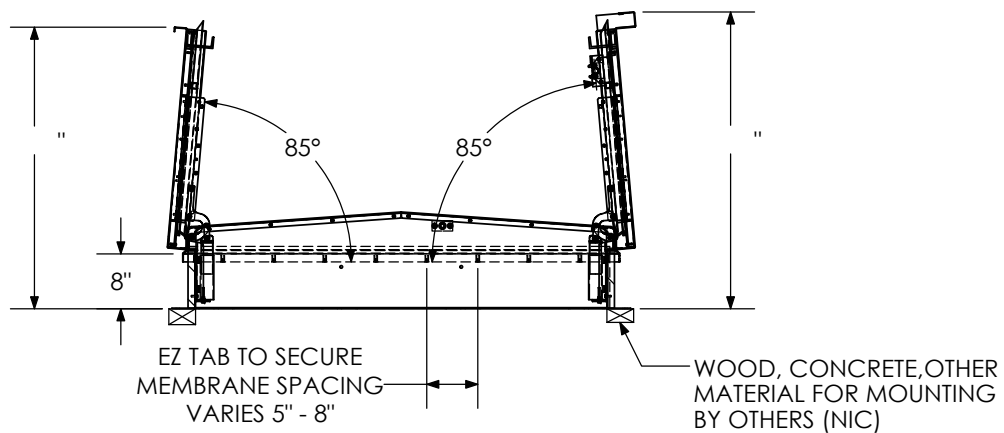
ROOF HATCH SIZE	" (WIDTH) x	" (LENGTH)
CLEAR OPENING	" (WIDTH) x	" (LENGTH)
ROUGH OPENING	" (WIDTH) x	" (LENGTH)

PROPRIETARY AND CONFIDENTIAL: THE INFORMATION CONTAINED IN THIS DRAWING IS THE SOLE PROPERTY OF NYSTROM. ANY REPRODUCTION IN PART OR AS A WHOLE WITHOUT THE WRITTEN PERMISSION OF NYSTROM IS PROHIBITED.

PROJECT:										
ARCHITECT:										
CONTRACTOR:										
QTY:										
PART#:										
 9300 73rd Avenue North Minneapolis, MN 55428	TITLE: Roof Hatch, Equipment Access, Dbl Dr. Zinc Hdw, Alum, Mill, Sngl Wall Curb,									
	<table border="1"> <tr> <td>NAME</td> <td>DATE</td> <td>SIZE</td> <td>DWG. NO.</td> <td>REV</td> </tr> <tr> <td>ELW</td> <td>9/14/12</td> <td>A</td> <td></td> <td>A</td> </tr> </table>	NAME	DATE	SIZE	DWG. NO.	REV	ELW	9/14/12	A	
NAME	DATE	SIZE	DWG. NO.	REV						
ELW	9/14/12	A		A						
RELEASED	-	-	WEIGHT: VARIES	SHEET 1 OF 2						



DETAIL D



SECTION C-C

			TITLE: Roof Hatch, Equipment Access, Dbl Dr, Zinc Hdw, Alum, Mill, Sngl Wall Curb,		
9300 73rd Avenue North Minneapolis, MN 55428					
NAME	DATE	SIZE	DWG. NO.	REV	
DRAWN	DWO 9/13/2012	A	RHEA60X72D1T	A	
RELEASED	-	-	WEIGHT: 279.3	SHEET 2 OF 2	